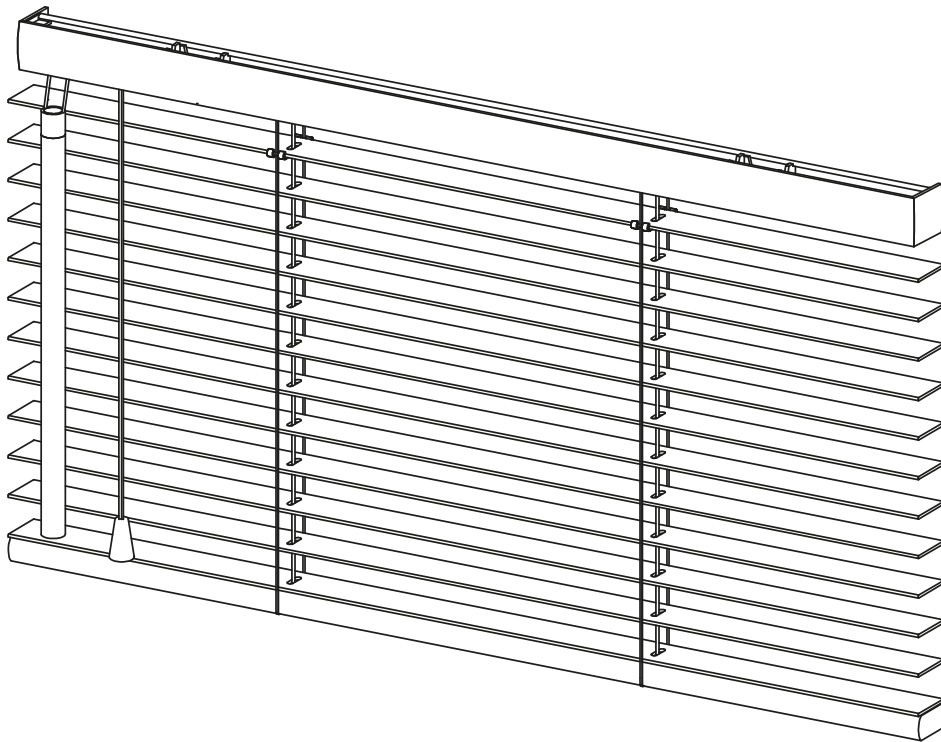


## WOOD CLASSIC 25

Standard surface-mounted venetian blind with 25 mm wooden slat, controlled by a gear with metal support and cord blocking mechanism.



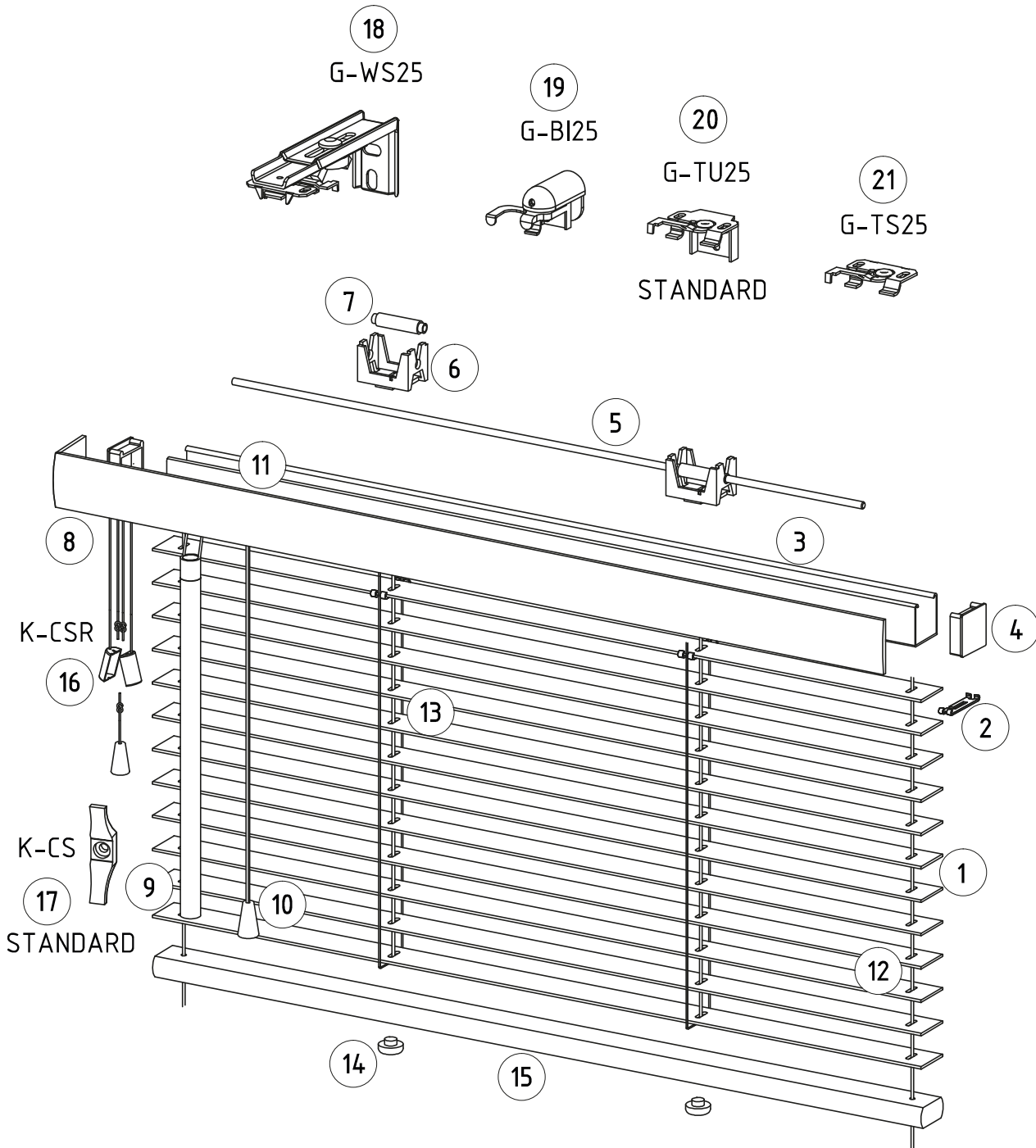
### Component name

1	Slat
2	Clip
3	25x25mm head rail
4	Head rail end cap
5	Control rod
6	Tilter
7	Tilter roll
8	Cover
9	Wooden wand
10	Cord with wooden weight
11	Cord blocking mechanism
12	Steel or plastic line
13	Cord ladder
14	Ladder cap
15	Wooden bottom rail
16	Cord mounting - button (child safety)**
17	Cord mounting- cleat (child safety)**

### Holder name

18	G-WS25 bracket
19	G-BI25 bracket
20	G-TU25 bracket
21	G-TS25 (ceiling bracket)
22	D-KR holder*
23	D-KS holder*
24	D-STR holder*
25	D-KPCV holder (transparent)*
26	D-KP holder*
27	D-BI holder*

\* If the blind has side guidance  
\*\* Optional



STANDARD



D-KR

22



D-STR

23



D-KS

24



D-KPCV

25



D-KP

26



D-BI

27