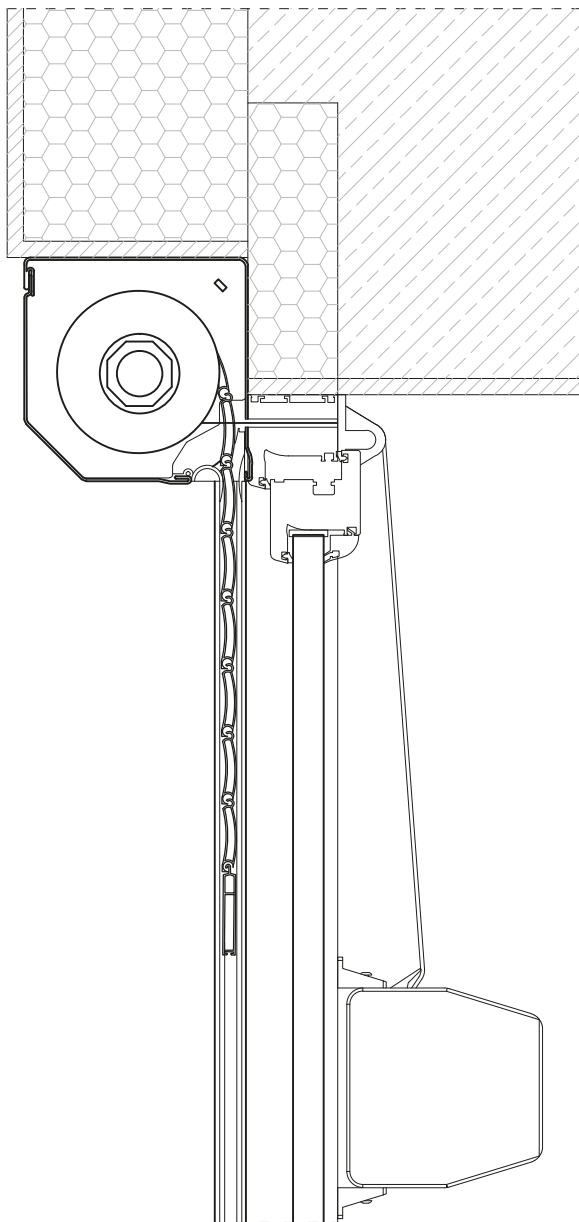
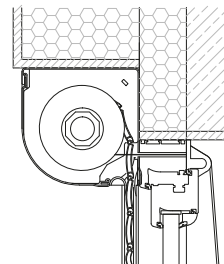


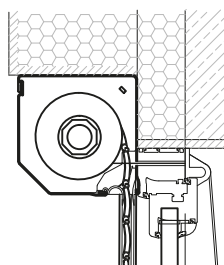
## SURFACE MOUNTED SYSTEMS



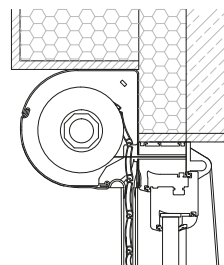
**SKP SYSTEM**



**SK/SK-E SYSTEM**



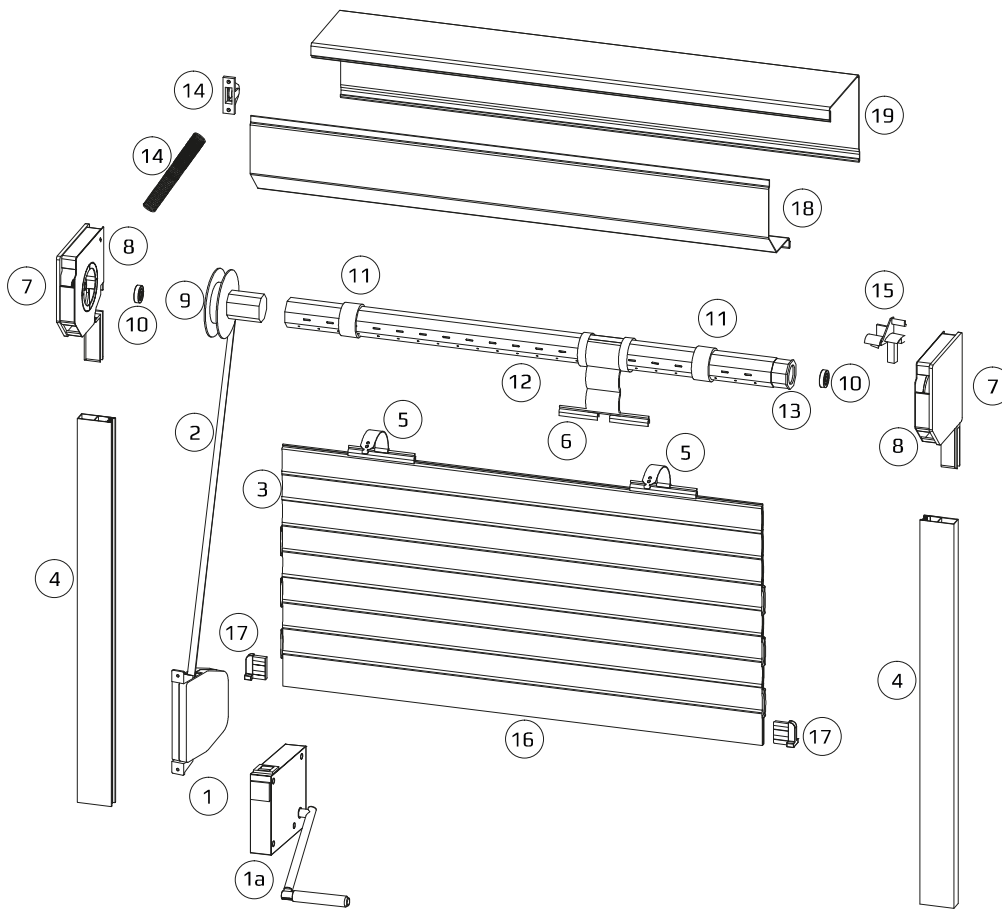
**SKO/SKO-P SYSTEM**



**max shutter height including box**

box height	PA39			PA40			PA43		
	SW40+PZ/45	SW 50+PZ/56	SW 60+PZ/68	SW40+PZ/45	SW50+PA/56	SW60+PZ/68	SW40+PZ/45	SW50+PA/56	SW60+PZ/68
<b>137 mm</b>									
SK/SKE/SKP	1600	1480	1210	1080	920	920	1410	1150	930
SKO-P/SKO	1600	1480	1250	1080	1000	760	1410	1150	980
<b>150 mm</b>									
SK/SKP	1990	1840	1640	1400	1210	1000	1760	1800	1670
SKO-P	2110	1920	1760	1480	1290	1400	1760	1840	1670
<b>165 mm</b>									
SK/SKE/SKP	2470	2320	2120	1850	1650	1410	2500	2240	2110
SKO-P/SKO	2510	2360	2160	1850	1610	1410	2500	2280	2070
<b>180 mm</b>									
SK/SKE/SKP	3020	2790	2630	2340	2100	1860	2980	2800	2590
SKO-P/SKO	3100	3220	2640	2740	2140	1860	2980	2800	2590
<b>205 mm</b>									
SK/SKE/SKP	4210	3780	3780	2950	2630	2870	4020	4150	3630
SKO-P/SKO	4250	3820	3820	2950	2710	2870	4020	4150	3640

**SURFACE MOUNTED SYSTEM – COMPONENTS**



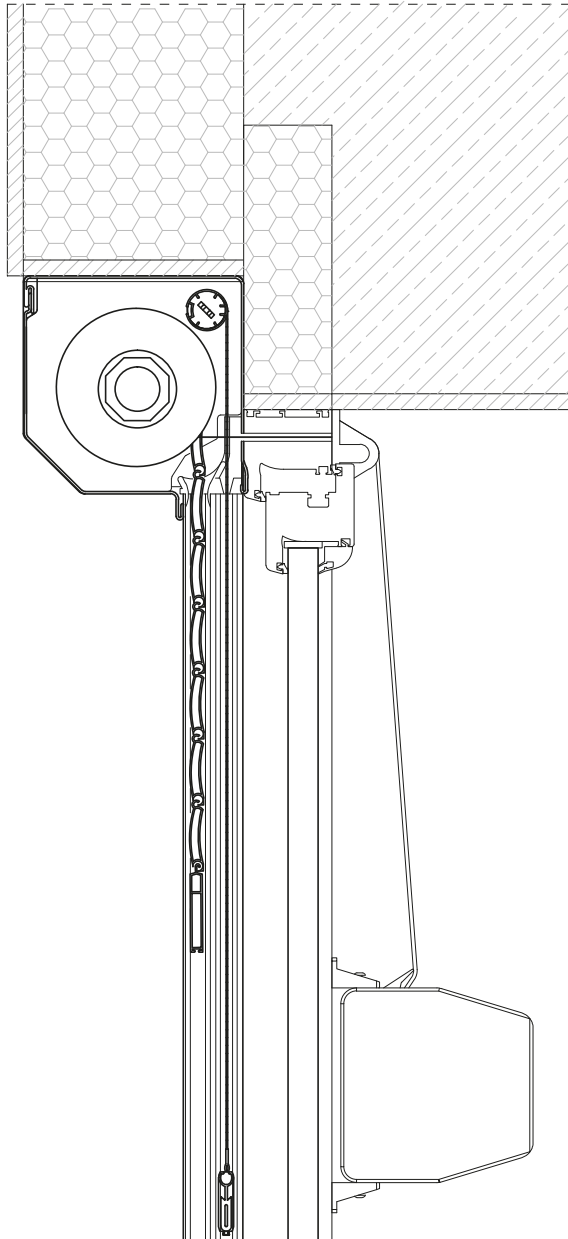
- 1 - coiler
- 1A - crank coiler
- 2 - tape/cord
- 3 - slat
- 4 - guide channel
- 5 - steel hanger
- 6 - joint hanger
- 7 - BS45 - box side 45° cover
- 8 - internal plate for box side cover
- 9 - KNO - winding wheel with tube connector
- 10 - LO28 - bearing
- 11 - diameter extension ring
- 12 - SW - octagonal tube
- 13 - OBS - tube adapter
- 14 - guiding wheel with spring
- 15 - slat slider for guide channel
- 16 - end slat
- 17 - end slat stopper
- 18 - SK/G top part of the box
- 19 - SK/D bottom part of the box

**max shutter height including box**

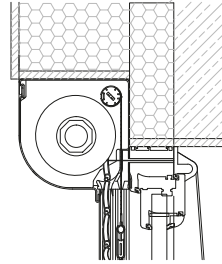
box height	PT37		
	SW40+PZ/45	SW 50+PZ/56	SW 60+PZ/68
<b>137 mm</b>			
SK/SKE/SKP	1710	1410	1630
SKO-P/SKO	1600	1600	1260
<b>150 mm</b>			
SK/SKP	2120	1750	2010
SKO-P	2310	2090	2010
<b>165 mm</b>			
SK/SKE/SKP	2720	2460	2130
SKO-P/SKO	2760	2500	2430
<b>180 mm</b>			
SK/SKE/SKP	3170	3100	2950
SKO-P/SKO	3620	3470	3250
<b>205 mm</b>			
SK/SKE/SKP	4290	4330	3920
SKO-P/SKO	4300	4410	3960

box height	PA52		PA55	
	SW60+PZ/68	SW70+PZ/78	SW60+PZ/68	SW70+PZ/78
<b>165 mm</b>				
SK/SKP	1380	-	-	-
SKO-P/SKO	1380	-	-	-
<b>180 mm</b>				
SK/SKP	1800	-	1510	-
SKO-P/SKO	1860	-	1510	-
<b>205 mm</b>				
SK/SKP	2330	-	2020	-
SKO-P/SKO	2390	-	2020	-
<b>230 mm</b>				
SKO-P	2970	2970	2530	2750
<b>250 mm</b>				
SK	4070	4020	3140	3250
SKO-P	4130	4130	3040	3040
<b>300 mm</b>				
SK	5000	5000	5000	4490
SKO-P	5000	5000	5000	4490

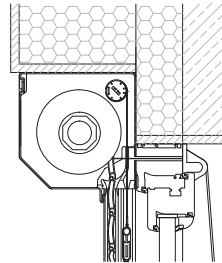
## SURFACE MOUNTED SYSTEMS + MKT



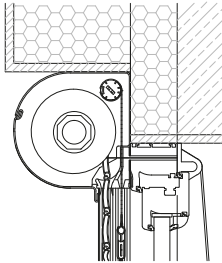
**SKP+MKT SYSTEM**



**SK-MKT / SKE+MKT SYSTEM**

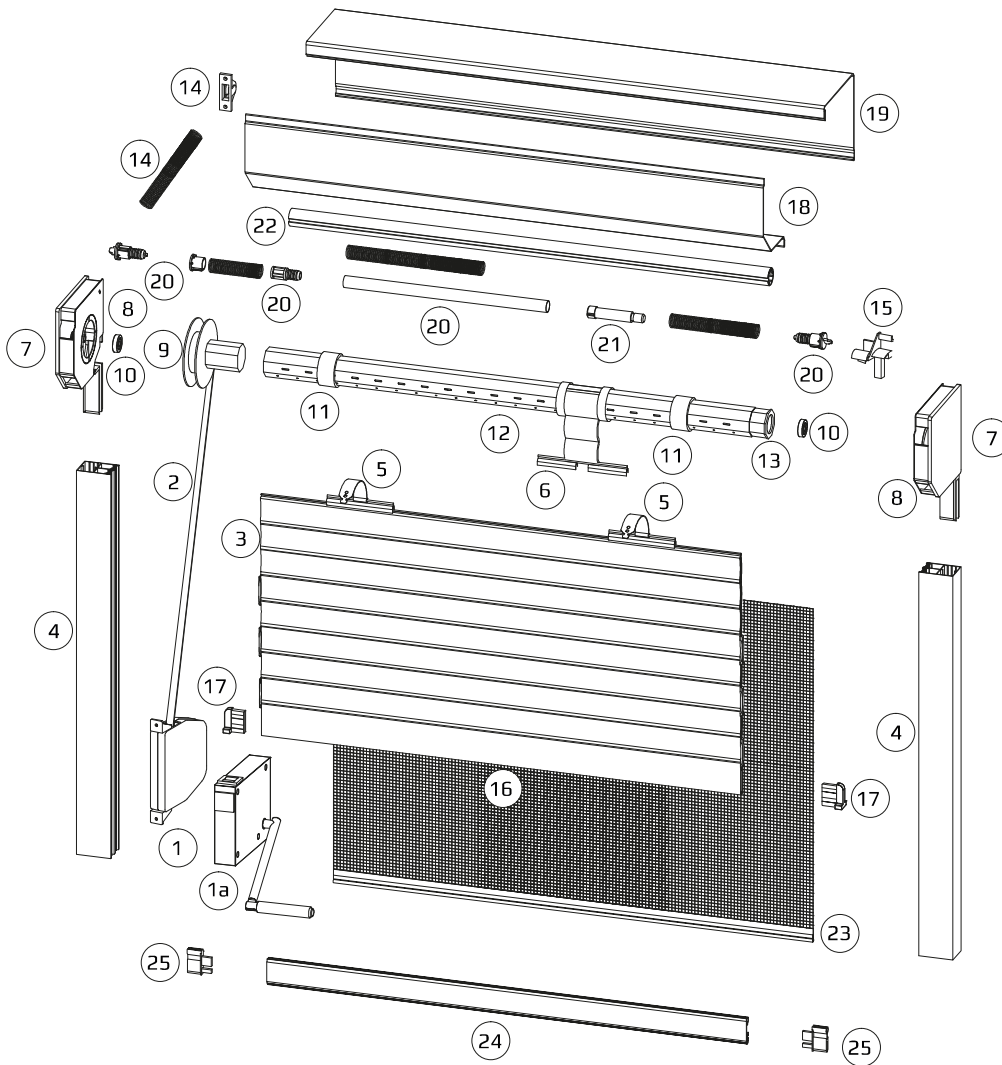


**SKO-MKT / SKO-P + MKT SYSTEM**



**max shutter height including box + MKT**

box height	PA39 + MKT			PA40 + MKT			PA43 + MKT		
	SW40+PZ/45	SW 50+PZ/56	SW 60+PZ/68	SW40+PZ/45	SW50+PA/56	SW60+PZ/68	SW40+PZ/45	SW50+PA/56	SW60+PZ/68
<b>150 mm</b>									
SK/SKP	1330	1180	940	-	890	640	1030	1070	640
SKO-P	1330	1180	900	-	890	640	1030	1070	640
<b>165 mm</b>									
SK/SKE/SKP	1690	1600	1650	1000	1250	1050	1600	1460	1330
SKO-P/SKO	1690	1600	1340	970	1290	1010	1600	1460	1130
<b>180 mm</b>									
SK/SKE/SKP	2240	2325	1850	1420	1700	1500	2460	2240	2120
SKO-P, SKO	2480	2400	2130	1420	1740	1500	2460	2240	2120
<b>205 mm</b>									
SK/SKE/SKP	2500	2500	2500	2360	2500	2470	2500	2500	2500
SKO-P/SKO	2500	2500	2500	2330	2500	2390	2500	2500	2500



- 1 – coiler
- 1A - crank coiler
- 2 - tape/cord
- 3 - slat
- 4 - guide channel
- 5 - steel hanger
- 6 - joint hanger
- 7 - B545 – box side 45° cover
- 8 - internal plate for box side cover
- 9 - KNO – winding wheel with tube connector
- 10 - LO28 - bearing
- 11 - diameter extension ring
- 12 - SW - octagonal tube
- 13 - OBS – tube adapter
- 14 - guiding wheel with spring
- 15 - slat slider for guide channel
- 16 - end slat
- 17 - end slat stopper
- 18 - SK/G top part of the box
- 19 - SK/D bottom part of the box
- 20-23 - MOSKITO system parts
- 24 - LDSM MKT end slat
- 25 - end slat cap

**max shutter height including box + MKT**

box height	PT37 + MKT		
	SW40+PZ/45	SW 50+PZ/56	SW 60+PZ/68
<b>150 mm</b>			
SK/SKP	1270	1200	940
SKO-P	1310	1350	970
<b>165 mm</b>			
SK/SKE/SKP	1680	1690	1600
SKO-P/SKO	1650	1800	1600
<b>180 mm</b>			
SK/SKE/SKP	2500	2500	2250
SKO-P/SKO	2500	2500	2210
<b>205 mm</b>			
SK/SKE/SKP	2500	2500	2500
SKO-P/SKO	2500	2500	2500