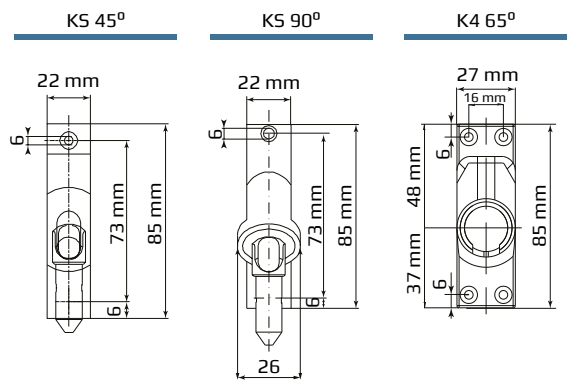
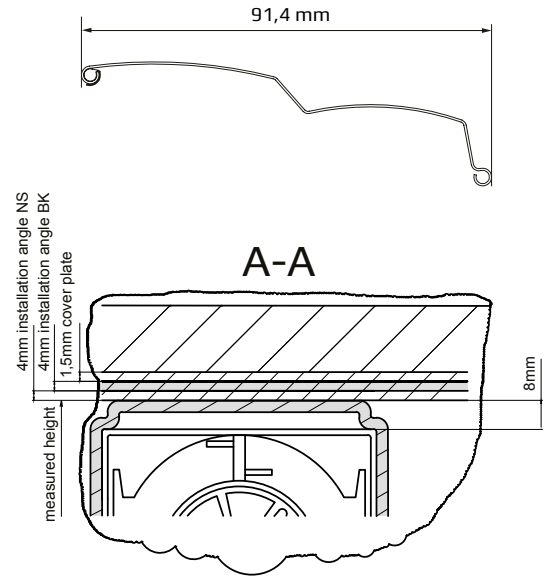
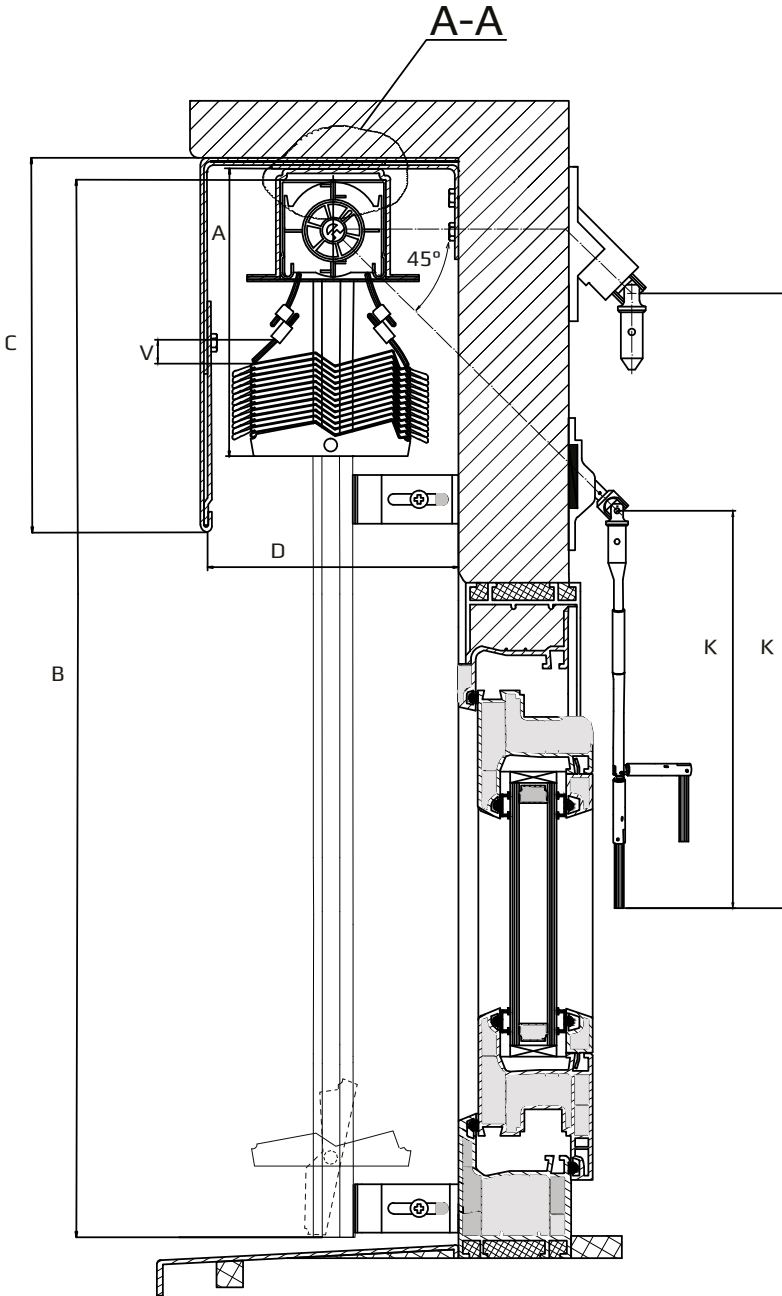


**External Venetian Blind Z-90**



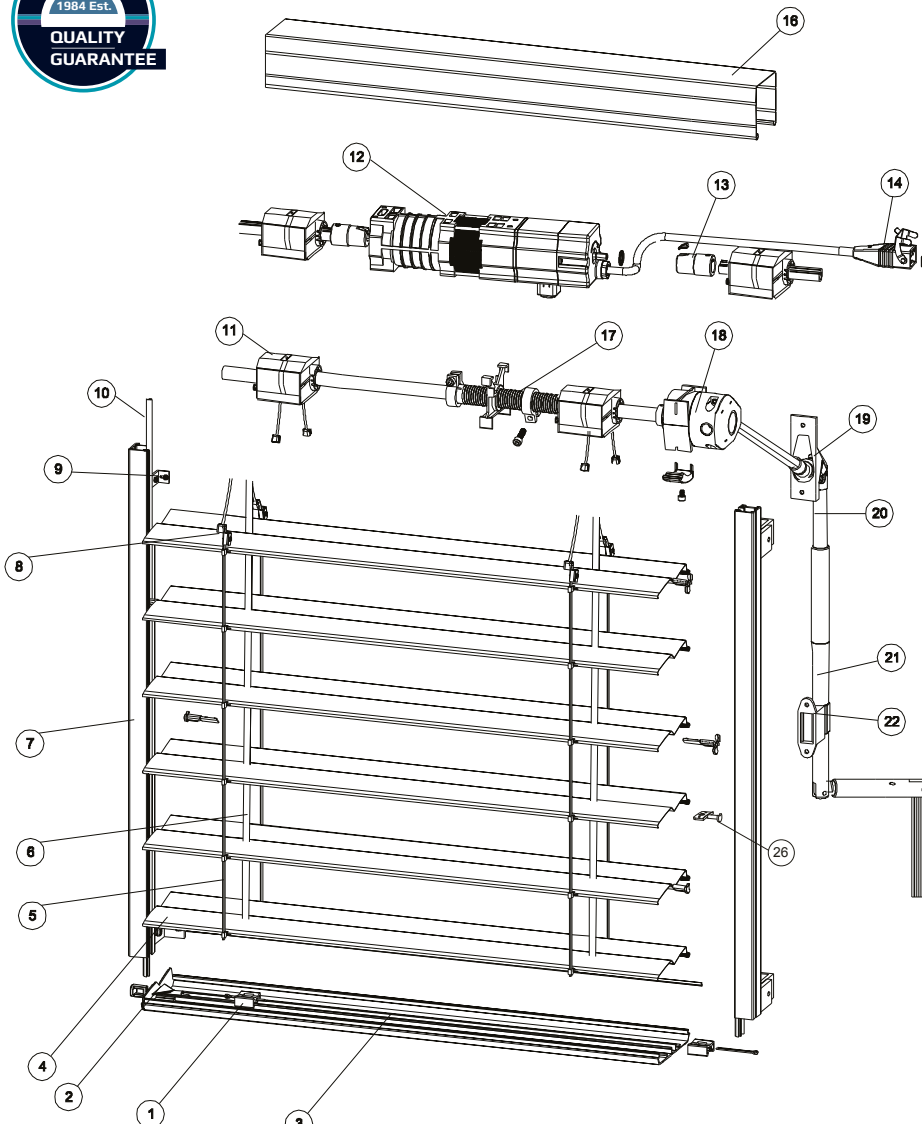
- A - Package height.
- B - Total height of the blind.
- C - Height of the cover plate.
- D - Optimal depth: 140 mm,  
Minimal depth: 130 m
- V - Distance from first slat,  
depending on the blind's height.
- K - Length of the crank mechanism

**The amount of tilters, depending on the dimensions of the external blind**

width (mm) height (mm)	1200	1300	1400	2000	2200	2400	2800	3100	3400	4000
2500	2	2	2	3	3	3	4	4	4	5
3000	2	2	3	3	3	4	4	4	5	5
4000	2	3	3	3	4	4	4	5	5	5



**External Venetian Blind Z-90**



- 1 - Bottom rail textile band lock
- 2 - Bottom rail plug Z-90
- 3 - Bottom rail Z-90 | 4 - Slat Z-90
- 5 - Hagofix tape for z-90
- 6 - Textile band 8 mm | 7 - Guide channel TYP 2
- 8 - Ladder-tilter connector
- 9 - Guide channel bracket A-N
- 10 - Guide channel insert
- 11 - Tilter Z-90 | 12 - Motor 230 V
- 13 - Motor-tilt rod connector 14 mm
- 14 - Hirshmann plug Stak3
- 15 - Hirshmann coupling Stak3
- 16 - Head rail 58x56
- 17 - Mechanical end-stop
- 18 - Bevel gear
- 19 - Cardan coupling tilt rod
- 20 - Cardan coupling
- 21 - Crank | 22 - Crank holder
- 23 - Installation angle BK
- 24 - Installation angle NS | 25 - Extension PD
- 26 - Guiding pin Z-90

min. width (manual)	min. width (motor)	max. width	max. height	max. surface (manual)	max. surface (motor)	max. surface of connected blinds (manual)	max. surface of connected blinds (motor)	Max. quantity of connected blinds (one motor)	Average weight of 1m <sup>2</sup> : up to 7m <sup>2</sup> surface	Average weight of 1m <sup>2</sup> : above 7m <sup>2</sup> surface
420 mm	500 mm	4000 mm	4000 mm	9 m <sup>2</sup>	16 m <sup>2</sup>	9 m <sup>2</sup>	24 m <sup>2</sup>	3 pcs	3,3 kg	2,7 kg

**Quantity of guide channel brackets**

Blind height	qty
500 - 1799	2
1800 - 3099	3
3100 - 4000	4

**Quantity of headrail brackets**

Blind width	qty
420 - 1699	2
1700 - 2699	3
2700 - 3399	4
3400 - 4000	5

**Height of the packages Z-90**

Total height of the blind	Z-90 ARET 2		Z-90 L (steel cord)		Z-90 ARET 5	
	motor	manual	manual	motor	manual	motor
500 - 750	150	140	150	140	150	140
760 - 1000	160	150	160	150	160	150
1010 - 1250	180	170	180	170	180	170
1260 - 1500	190	180	190	180	190	180
1510 - 1750	200	190	200	190	200	190
1760 - 2000	210	200	210	200	210	200
2010 - 2250	230	220	230	220	230	220
2260 - 2500	240	230	240	230	240	230
2510 - 2750	250	240	250	240	250	240
2760 - 3000	270	260	270	260	270	260
3010 - 3250	290	280	290	280	290	280
3260 - 3500	300	290	300	290	300	290
3510 - 3750	310	300	310	300	310	300
3760 - 4000	320	310	320	310	320	310