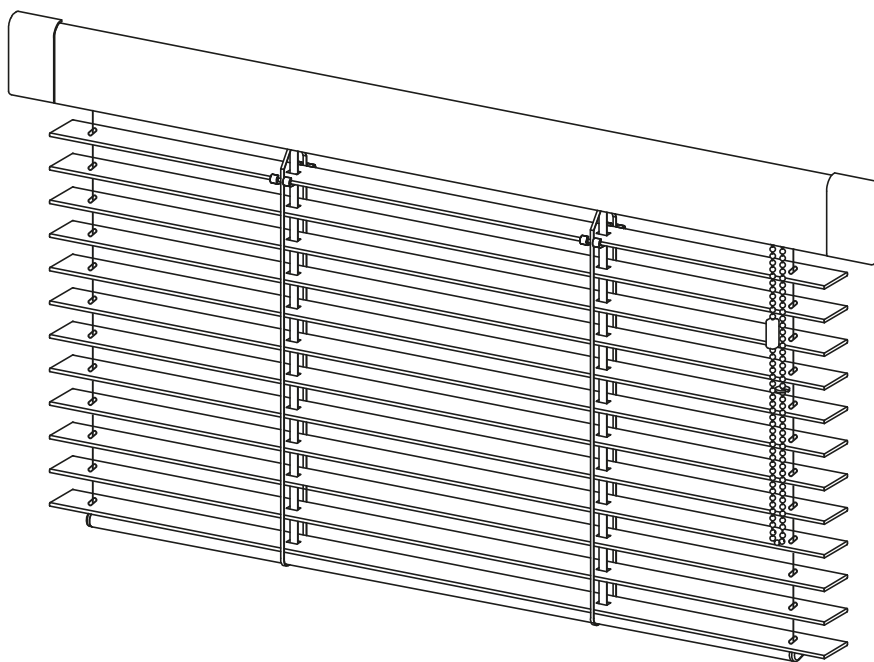


## WOOD VENUS 25

Venetian blind with wooden 25 mm slat, designed for installation within PVC and wooden windows frame, controlled with chain.



### Component name

1	Slat
2	Clip
3	Ball chain holder
4	Ball chain
5	Guiding line*
6	Cord ladder
7	Control tape
8	Side cover
9	Plate for side cover mounting
10	Distance pad**
11	Drive body
12	Drive wheel
13	Control mechanism
14	Control rod
15	Head rail
16	Tilter
17	Tilter roll
18	Bottom rail end cap (if the blind has side guidance)
19	Peg*
20	Ladder cap
21	Bottom rail 25 x 25 mm
22	Tape bracket
23	Chain tensioner

### Holder name

24	D-K holder
25	D-STR holder*
26	D-KP holder*
27	D-GD holder*
28	D-GP holder*
29	D-MG holder (with magnet)

\* Venus is made with fix (side guiding) as standard

\*\* Optional

\*\*\* For blinds equipped with self-stopping mechanism

