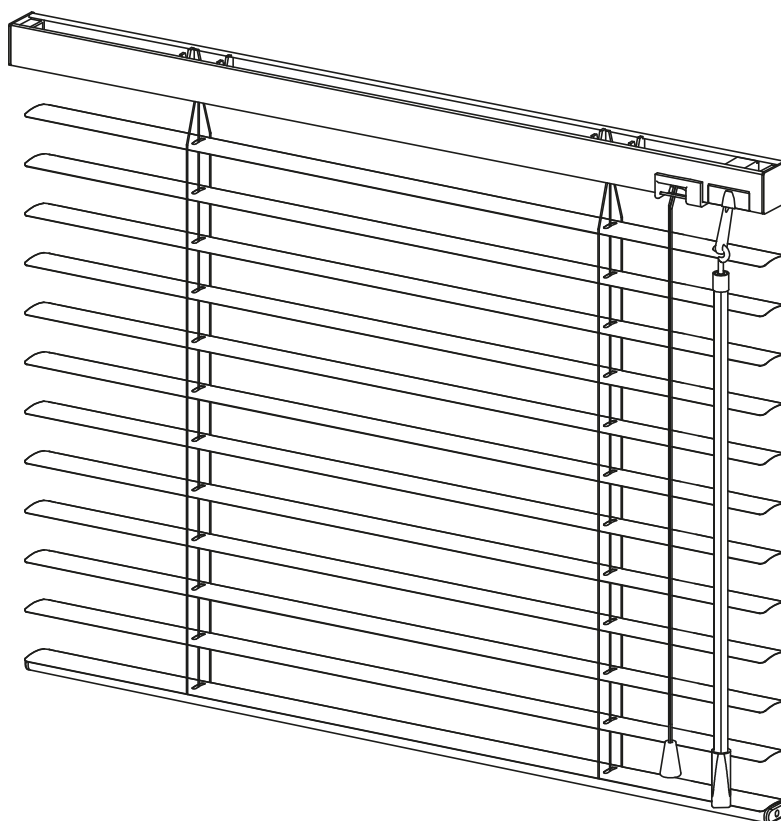


STANDARD IV

Classic surface-mounted venetian blind controlled with wand for tilting and cord for lifting and lowering slats. The most popular system, that can be installed on every type of window and in every type of mounting – upper, side, non invasive. It can be also equipped with battery electric drive for tilting the slats (TILT ONLY SYSTEM).



Component name

1	Aluminum slat
2	Clip
3	Head rail end cap
4	Control rod
5	Bearing
6	Bearing tube
7	25x25 mm head rail
8	Wand
9	Bottom rail end cap
10	Peg*
11	Cord with PVC weight
12	Cord break
13	Steel or plastic line
14	Cord ladder
15	Ladder cap
16	25 mm bottom rail
17	Safe cord connector (child safety)***
18	Cord mounting- cleat (child safety)***

Holder name

19	G-WS25 hanger
20	G-WM25 hanger
21	G-BI25 hanger (non invasive)/G-BI35**
22	G-TU25 hanger (non invasive)/G-TU35**
23	G-TS25 (ceiling hanger)
24	D-K holder
25	D-KR holder*
26	D-STR holder*
27	D-KS holder*
28	D-KPCV holder (transparent)*
29	D-KP holder*
30	D-BI holder (non invasive)*/D-BI35**
31	D-MG holder (with magnet)

* If the blind has side guidance

** In case of 35mm slat

*** Optional

