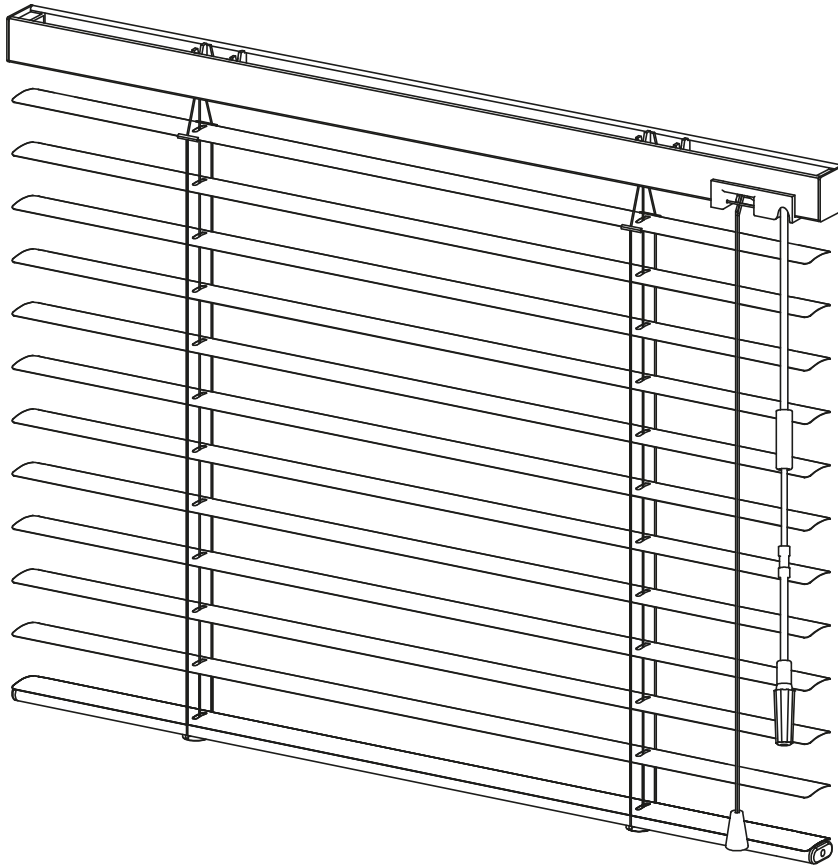


STANDARD III

Surface-mounted venetian blind controlled with cord and elastic wand, that are led out through a special component in the front side of head rail.



Component name

1	Aluminum slat
2	Elastic wand
3	Clip
4	Head rail end cap
5	25x25 mm head rail
6	Control rod
7	Bearing
8	Bearing tube
9	Bottom rail end cap
10	Peg*
11	Cord with PVC weight
12	Steel or plastic line
13	Cord ladder
14	Ladder cap
15	25 mm bottom rail
16	Safe cord connector (child safety)***
17	Cord mounting- cleat (child safety)***
18	Cord mounting – button (child safety)***
19	Elastic wand latch

Holder name

20	G-WS25 hanger
21	G-WM25 hanger
22	G-BI25 hanger (non invasive)/G-BI35**
23	G-TU25 hanger (non invasive)/G-TU35**
24	G-TS25 (ceiling hanger)
25	D-K holder
26	D-KR holder*
27	D-STR holder*
28	D-KS holder*
29	D-KPCV holder (transparent)*
30	D-KP holder*
31	D-BI holder (non invasive)*/D-BI35**
32	D-MG holder (with magnet)

* If the blind has side guidance

** In case of 35mm slat

*** Optional

