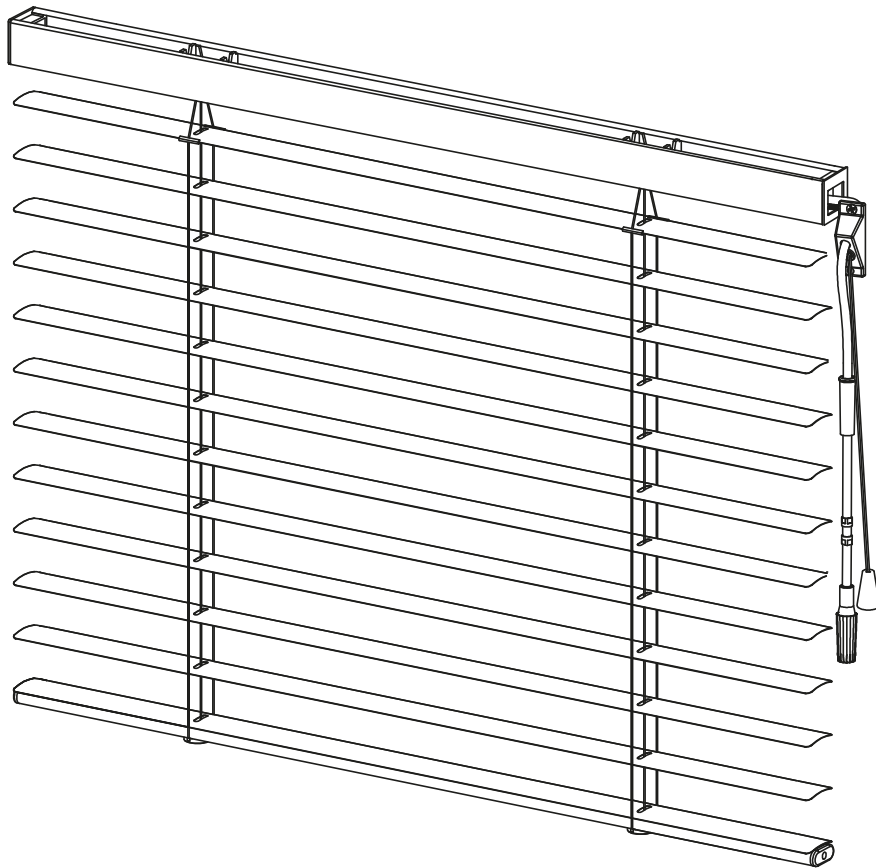


STANDARD I

Venetian blind for installation between window frames.
Control mechanism is driven through a special hole drilled in the internal window sash.



Component name

1	Aluminum slat
2	Clip
3	Knob for venetian blinds installed between glazing (tilt-knob)
4	Standard wand for venetian blinds installed between glazing
5	Elastic wand latch
6	Cord and wand exit cover
7	Head rail end cap with hole
8	25x25 mm head rail
9	Control rod
10	Bearing
11	Bearing tube
12	Cord ladder
13	Cord with PVC weight
14	Head rail end cap
15	Bottom rail end cap
16	Ladder cap
17	25 mm bottom rail
18	Safe cord connector (child safety)
19	Cord mounting (child safety)*
20	Cord mounting - button (child safety)*

Holder name

21	G-WM25 hanger
22	D-MG holder (with magnet)

* Optional

21

G-WM25



STANDARD

