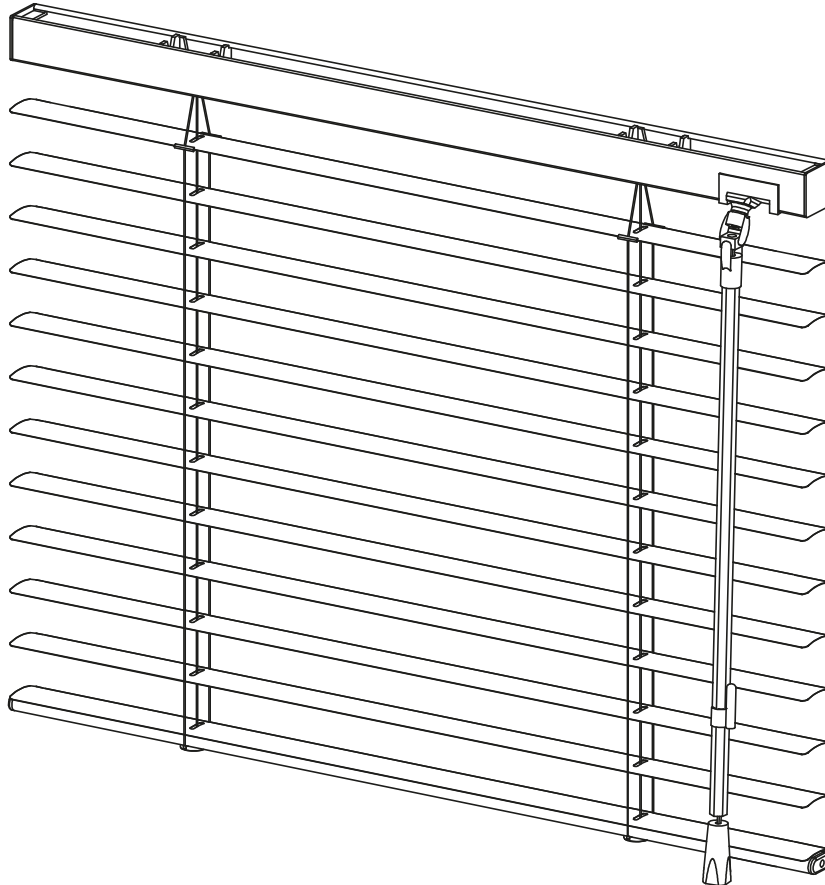


MONOMAGIC

Venetian blind suitable for all types of windows, designed for surface mounting, controlled with combined wand-cord break mechanism led out from the front of the head rail. The color of the head rail, bottom rail and ladder is matched according to the color table.



Component name

1	Aluminum slat
2	Clip
3	Head rail end cap
4	25x25 mm head rail
5	Control rod
6	Bearing
7	Bearing tube
8	PVC wand with monomagic mechanism
9	Bottom rail end cap
10	Peg
11	Cord
12	Cord ladder
13	Steel line
14	Ladder cap
15	25 mm bottom rail
16	Cord mounting – cleat (child safety)

Holder name

17	G-WS25 hanger
18	G-WM25 hanger
19	G-BI25 hanger (non invasive)/G-BI35**
20	G-TU25 hanger (non invasive)/G-TU35**
21	G-TU25 (ceiling hanger)
22	D-K holder
23	D-KR holder*
24	D-STR holder*
25	D-KS holder*
26	D-KPCV holder (transparent)*
27	D-KP holder*
28	D-BI holder (non invasive)*/D-BI35**
29	D-MG holder (with magnet)

*if the blind has side guidance
**in case of 35mm slat

