

SIERANI

BLIND SYSTEMS

VENETIAN BLINDS

**CATALOG
01/2018**





EXTERNAL VENETIAN BLINDS

SIERANT

BLIND SYSTEMS

SIERANT sp. z o.o. Spółka komandytowa
ul. Kwiatowa 22
97-300 Piotrków Trybunalski
POLAND

www.sierant.pl
biuro@sierant.pl
Tel: + 48 44 649 97 04, + 48 44 649 04 53

KEY TO PICTOGRAMS



16mm aluminum slat



25mm aluminum slat



35mm aluminum slat



50mm aluminum slat



25mm bamboo slat



25mm wooden slat



50mm bamboo slat



50mm wooden slat



Head rail 20x19mm



Head rail 25x25mm



Head rail 57x51mm



Head rail (VENUS) 25x25mm



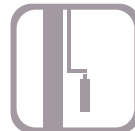
Controlled with ball chain



Controlled with wand and cord



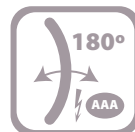
Controlled with wand-integrated cord



Controlled with crank



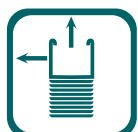
Controlled with 24V electric drive



Controlled with battery TILT ONLY electric drive



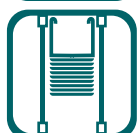
Non-invasive installation possible



Universal mounting



Installation within the window frame

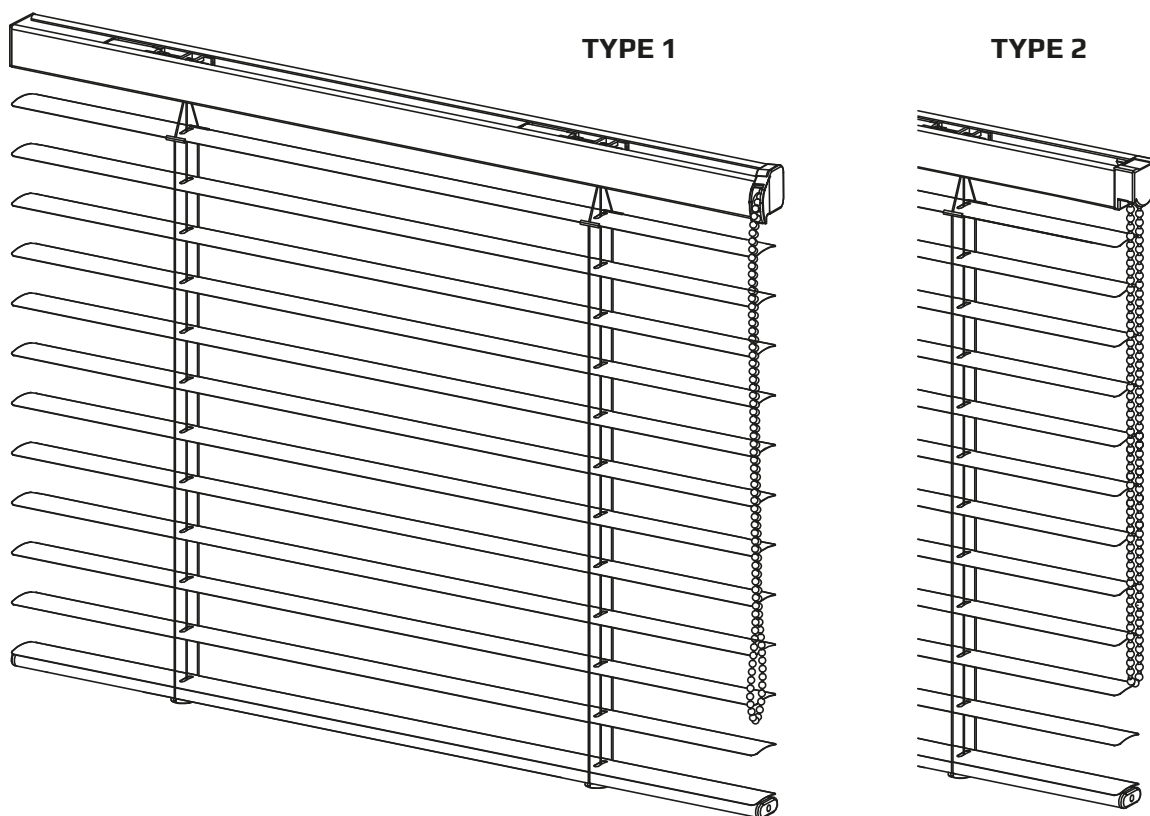


Installation between glass

4	Key to pictograms
5	Table of contents
6 - 7	Monocord
8 - 9	Monotex
10 - 11	Monomagic
12 - 13	Monocrank
14 - 15	Standard I
16 - 17	Standard II
18 - 19	Standard III
20 - 21	Standard IV
22 - 23	Mini 16
24 - 25	Venus
26 - 27	Venus standard
28 - 29	Fronton
30 - 31	Fronton chain
32 - 33	Fronton alu-wood
34 - 35	Wood classic 25
36 - 37	Wood classic 50
38 - 39	Wood new design 25
40 - 41	Wood venus 25
42	Atypical blinds
43	Measuring
44 - 49	Head rail holders
50 - 51	Bottom rail holders
52	Blinds' dimension ranges
53	Aluminum venetian blinds' slat packs height
54	Wooden venetian blinds' slat packs height
55 - 59	Venetian blinds' components color range

MONOCORD

Venetian blind suitable for all types of windows, designed for surface mounting, equipped with CD 25 mechanism and with CTS 25 cord coilers, used for all types of windows. The blind is controlled with a chain that is led out from the front side of the head rail. The blind can be equipped with side guidance - a durable line.. The color of the head rail, bottom rail and ladder is matched according to the color table.



Component name

1	Aluminum slat
2	Ball chain
3	Contol mechanism
4	25x25 mm head rail
5	CTS bearing
6	Control rod
7	Steel line*
8	Head rail end cap
9	Clip
10	Bottom rail end cap
11	Peg
12	Cord
13	Cord ladder
14	Ladder cap
15	25 mm bottom rail /25 mm wooden bottom rail**
16	Chain tensioner

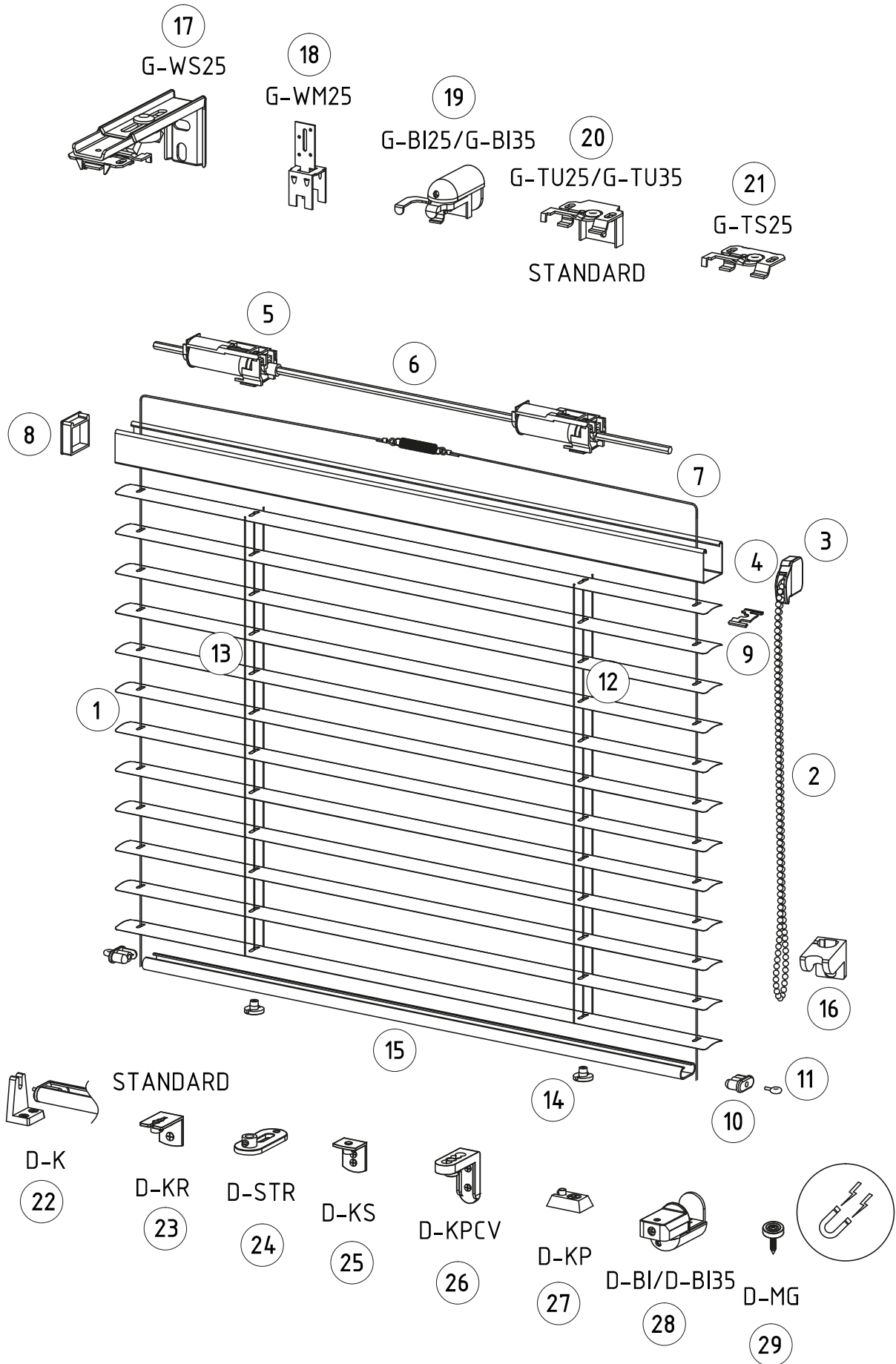
Holder name

17	G-WS25 hanger
18	G-WM25 hanger
19	G-BI25 hanger (non invasive)/G-BI35***
20	G-TU25 hanger (non invasive)/G-TU35***
21	G-TU25 (celling hanger)
22	D-K holder
23	D-KR holder*
24	D-STR holder*
25	D-KS holder*
26	D-KPCV holder (transparent)*
27	D-KP holder*
28	D-BI holder (non invasive)*/D-BI35***
29	D-MG holder (with magnet)

*if the blind has side guidance

** in case of wooden slat

***in case of 35mm slat

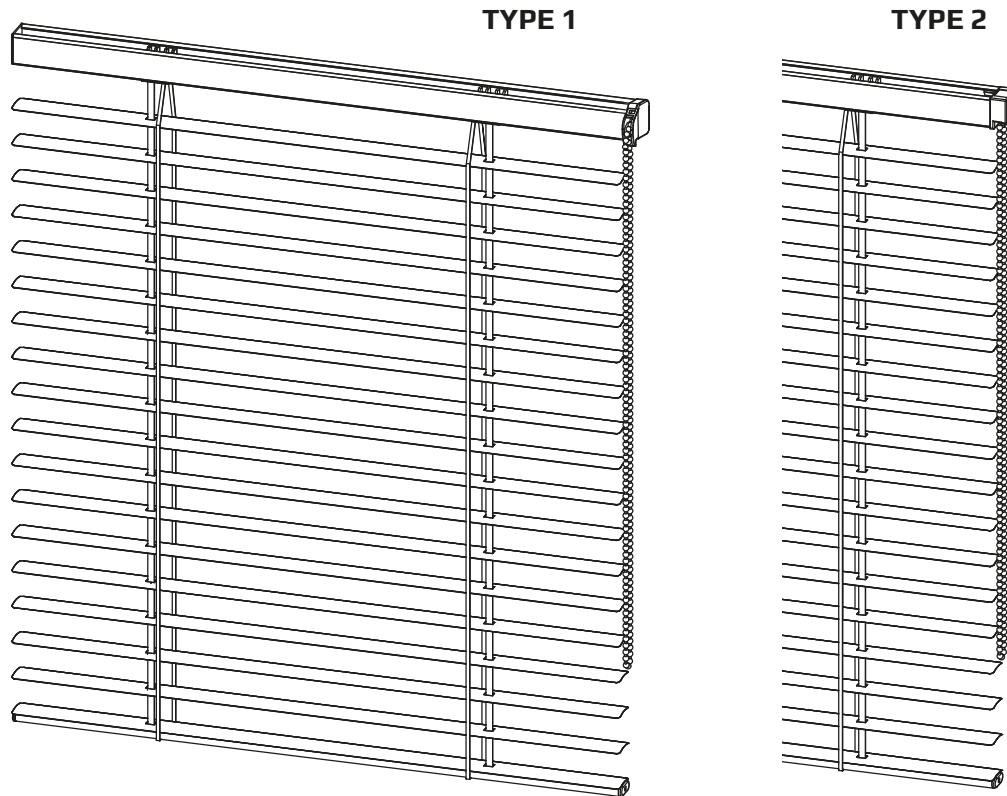


MONOTEX

Chain controlled venetian blind suitable for all types of windows. The blind is controlled with so-called endless chain,(4,5x6 mm) which drives front facing operating mechanism with 1:1, 1: 2,6 or 1: 4,8 ratio.

The blind can be equipped with side guidance - durable line on a spring.

The color of the head rail, bottom rail and ladder is matched according to the color table.



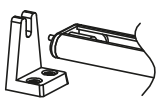
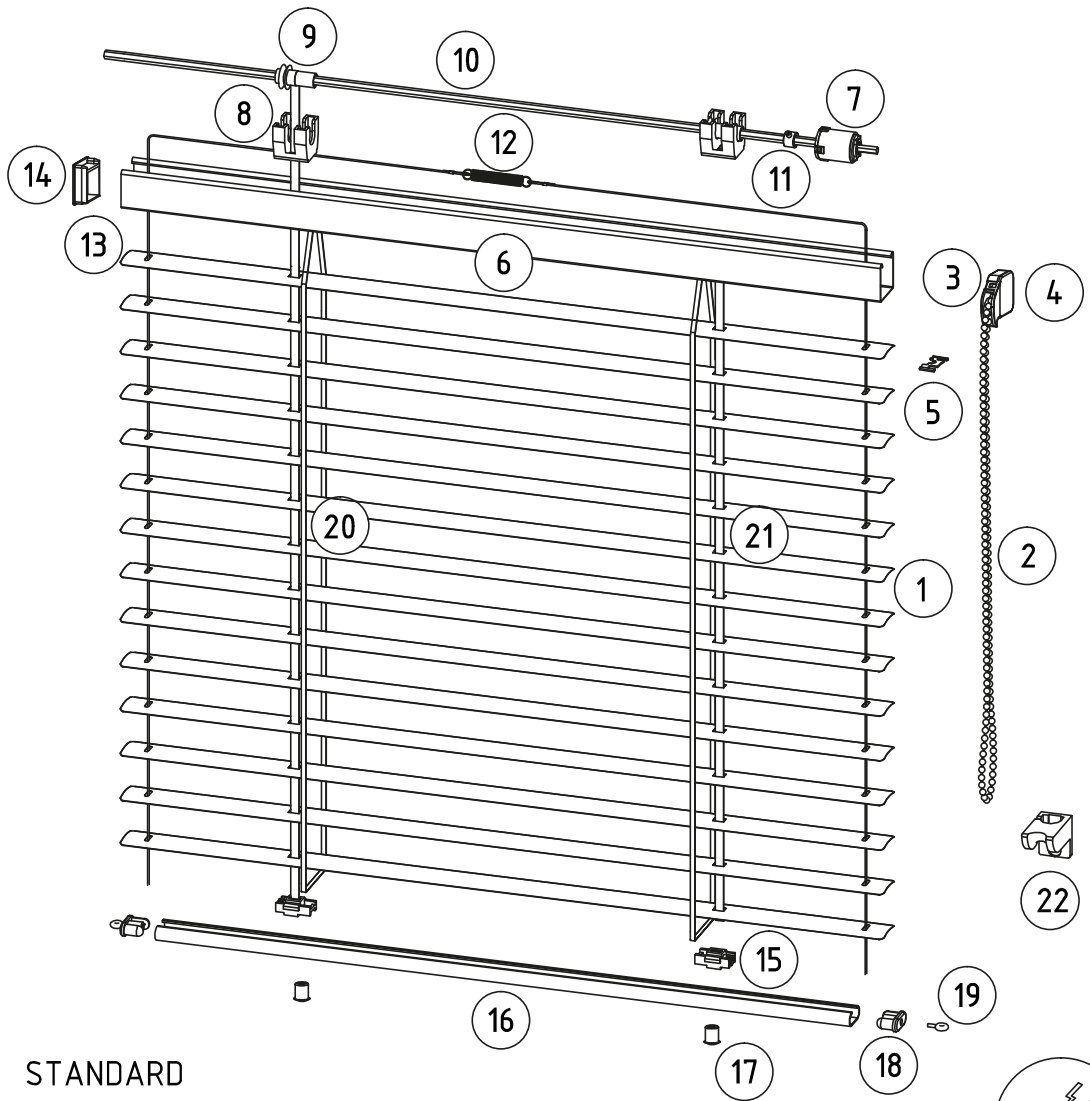
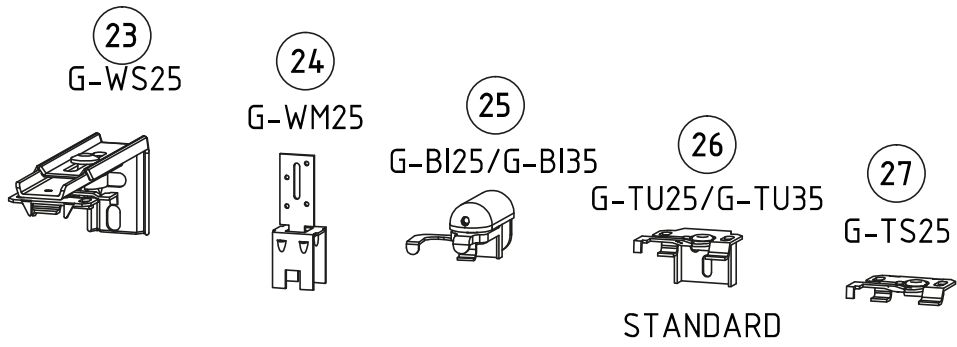
Component name

1	Aluminum slat
2	Ball chain with chain wheel
3	Wheel case
4	Wheel cover
5	Clip
6	25x25 mm head rail
7	Control mechanism
8	Bearing
9	Bearing tube
10	Control rod
11	Distance sleeve
12	Steel line tension spring
13	Steel line
14	Head rail cap
15	Tape hook
16	Bottom rail 25 mm
17	Ladder cap
18	Bottom rail cap
19	Peg
20	Cord ladder
21	Control tape
22	Chain tensioner

Holder name

23	G-WS25 hanger
24	G-WM25 hanger
25	G-BI25 hanger (non invasive)/G-BI35**
26	G-TU25 hanger (non invasive)/G-TU35**
27	G-TU25 (ceiling hanger)
28	D-K holder
29	D-KR holder*
30	D-STR holder*
31	D-KS holder*
32	D-KPCV holder (transparent)*
33	D-KP holder*
34	D-BI holder (non invasive)*/D-BI35**
35	D-MG holder (with magnet)

*if the blind has side guidance
**in case of 35mm slat



D-K
 28

STANDARD



D-KR
 29



D-STR
 30



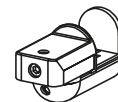
D-KS
 31



D-KPCV
 32



D-KP
 33



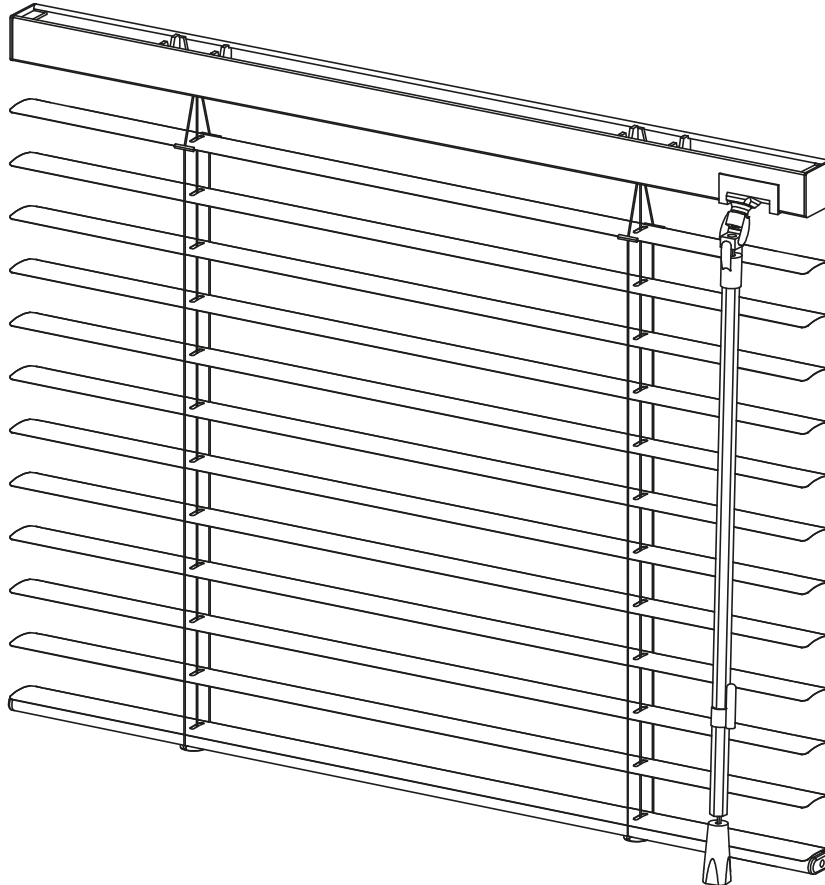
D-BI/G-BI35
 34



D-MG
 35

MONOMAGIC

Venetian blind suitable for all types of windows, designed for surface mounting, controlled with combined wand-cord break mechanism led out from the front of the head rail. The color of the head rail, bottom rail and ladder is matched according to the color table.



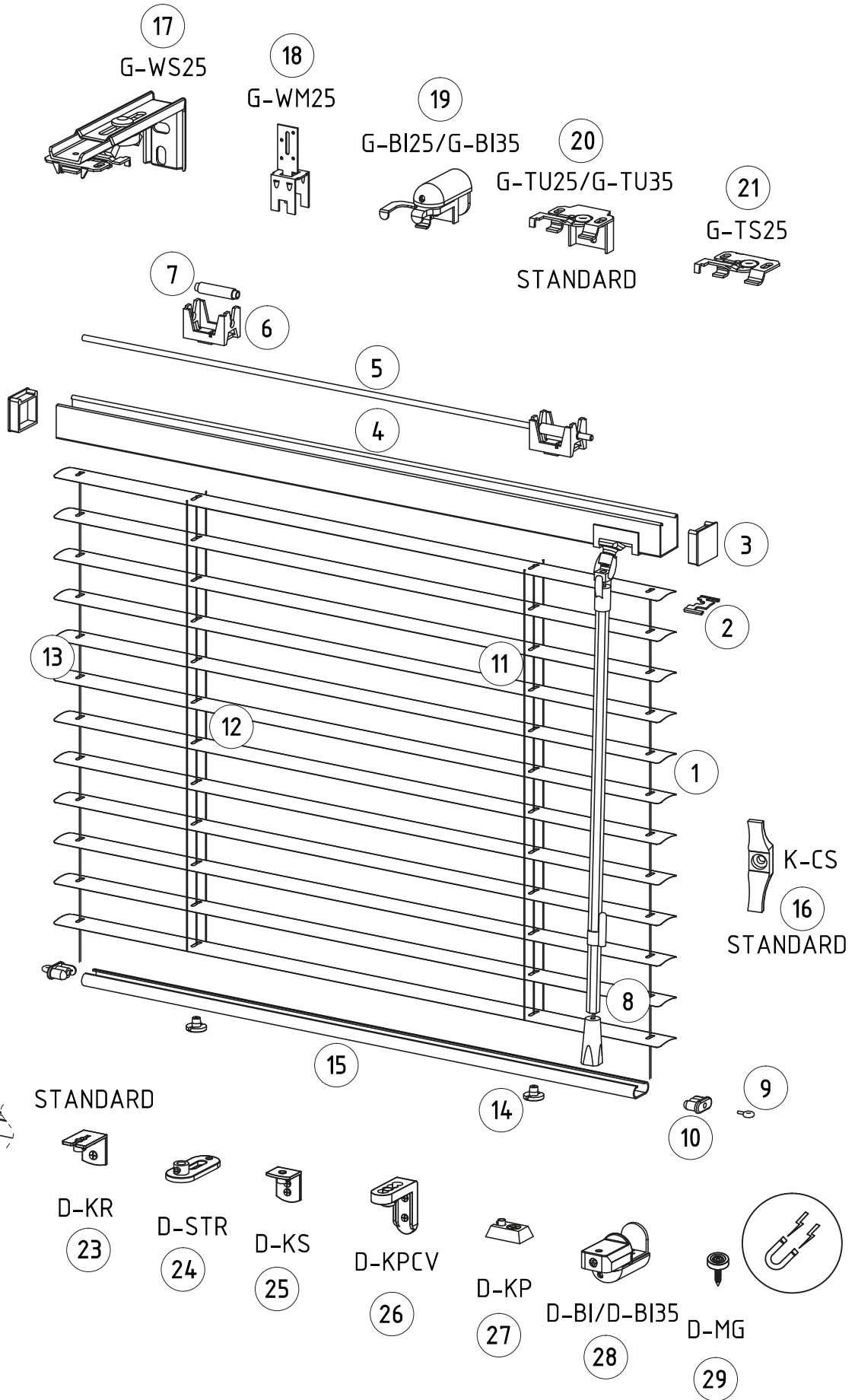
Component name

1	Aluminum slat
2	Clip
3	Head rail end cap
4	25x25 mm head rail
5	Control rod
6	Bearing
7	Bearing tube
8	PVC wand with monomagic mechanism
9	Bottom rail end cap
10	Peg
11	Cord
12	Cord ladder
13	Steel line
14	Ladder cap
15	25 mm bottom rail
16	Cord mounting – cleat (child safety)

Holder name

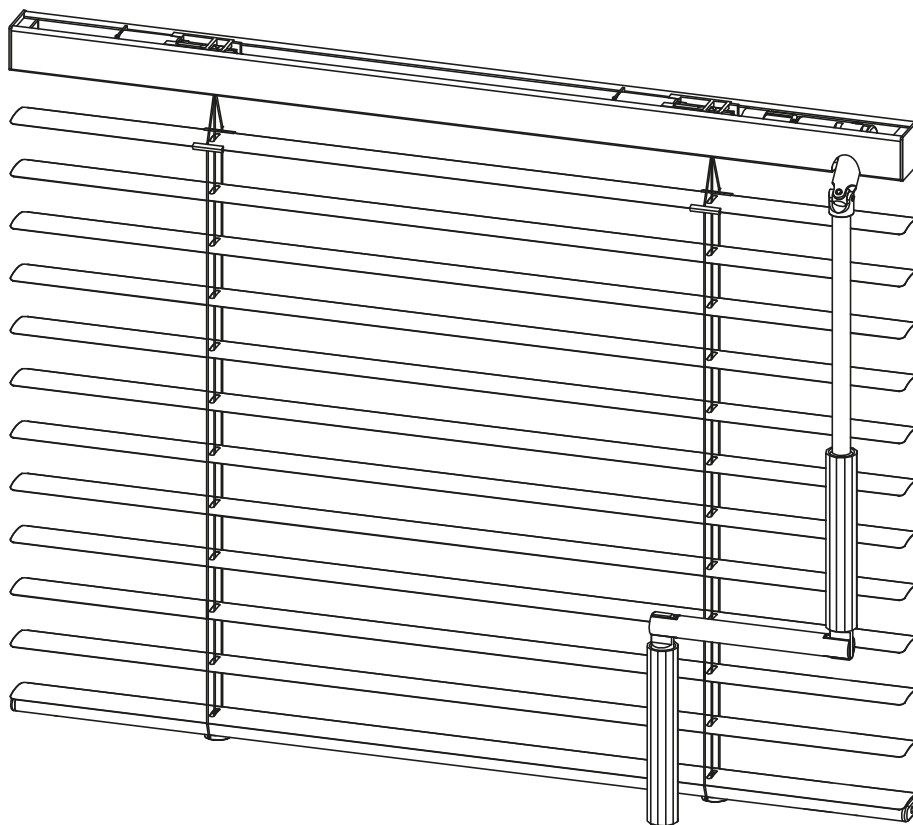
17	G-WS25 hanger
18	G-WM25 hanger
19	G-BI25 hanger (non invasive)/G-BI35**
20	G-TU25 hanger (non invasive)/G-TU35**
21	G-TU25 (ceiling hanger)
22	D-K holder
23	D-KR holder*
24	D-STR holder*
25	D-KS holder*
26	D-KPCV holder (transparent)*
27	D-KP holder*
28	D-BI holder (non invasive)*/D-BI35**
29	D-MG holder (with magnet)

*if the blind has side guidance
**in case of 35mm slat



MONOCRANK

Surface-mounted venetian blind controlled with crank mechanism.
The color of the head rail, bottom rail and ladder is matched according to the color table.



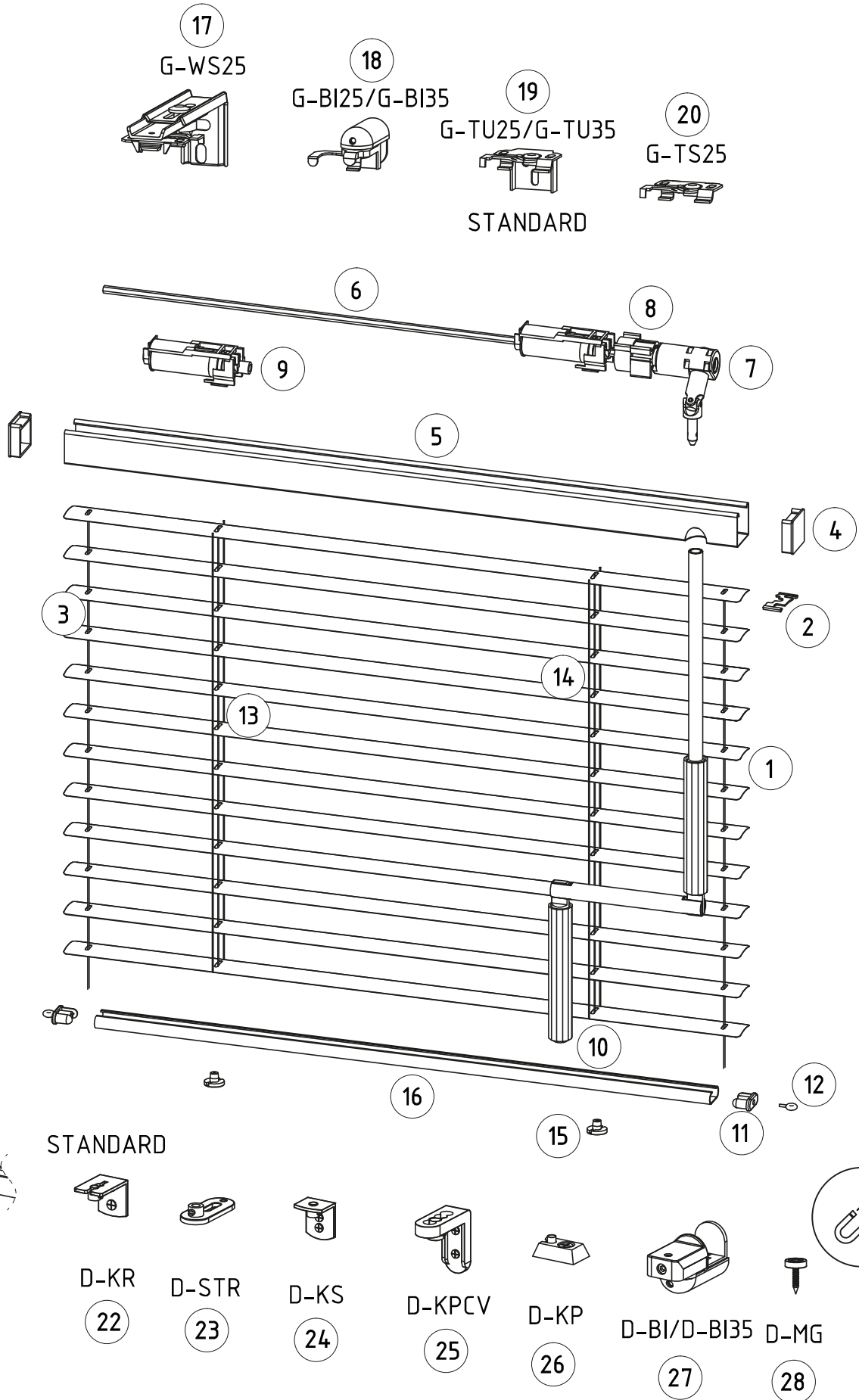
Component name

1	Aluminum slat
2	Clip
3	Steel line
4	Head rail end cap
5	25x25 mm head rail
6	Control rod
7	Gear for use with crank
8	Plastic holder for monocrank gear
9	CTS bearing
10	Monocrank system crank
11	Bottom rail end cap
12	Peg
13	Cord
14	Cord ladder
15	Ladder cap
16	25 mm bottom rail

Holder name

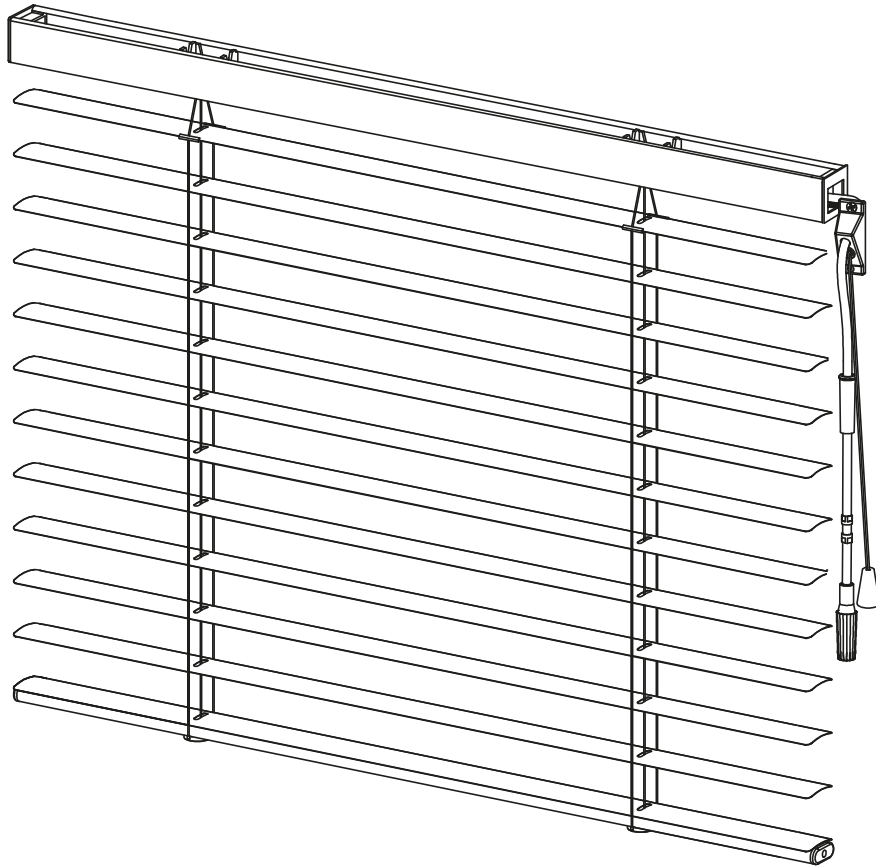
17	G-WS25 hanger
18	G-BI25 hanger (non invasive)/G-BI35**
19	G-TU25 hanger (non invasive)/G-TU35**
20	G-TS25 (ceiling hanger)
21	D-K holder
22	D-KR holder*
23	D-STR holder*
24	D-KS holder*
25	D-KPCV holder (transparent)*
26	D-KP holder*
27	D-BI holder (non invasive)*/D-BI35**
28	D-MG holder

* if the blind has side guidance
**in case of 35mm slat



STANDARD I

Venetian blind for installation between window frames.
Control mechanism is driven through a special hole drilled in the internal window sash.



Component name

1	Aluminum slat
2	Clip
3	Knob for venetian blinds installed between glazing (tilt-knob)
4	Standard wand for venetian blinds installed between glazing
5	Elastic wand latch
6	Cord and wand exit cover
7	Head rail end cap with hole
8	25x25 mm head rail
9	Control rod
10	Bearing
11	Bearing tube
12	Cord ladder
13	Cord with PVC weight
14	Head rail end cap
15	Bottom rail end cap
16	Ladder cap
17	25 mm bottom rail
18	Safe cord connector (child safety)
19	Cord mounting (child safety)*
20	Cord mounting - button (child safety)*

Holder name

21	G-WM25 hanger
22	D-MG holder (with magnet)

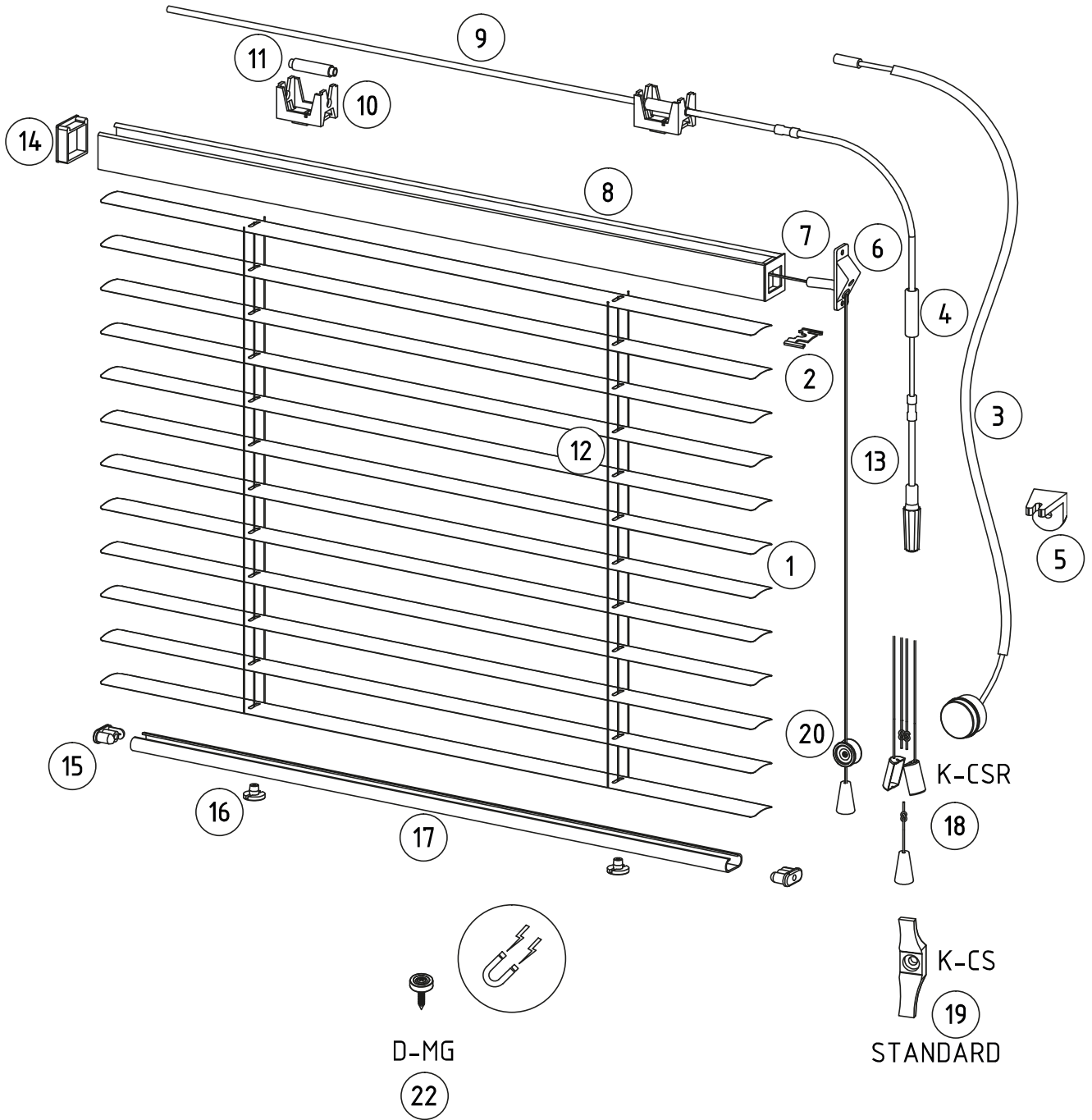
* Optional

21

G-WM25

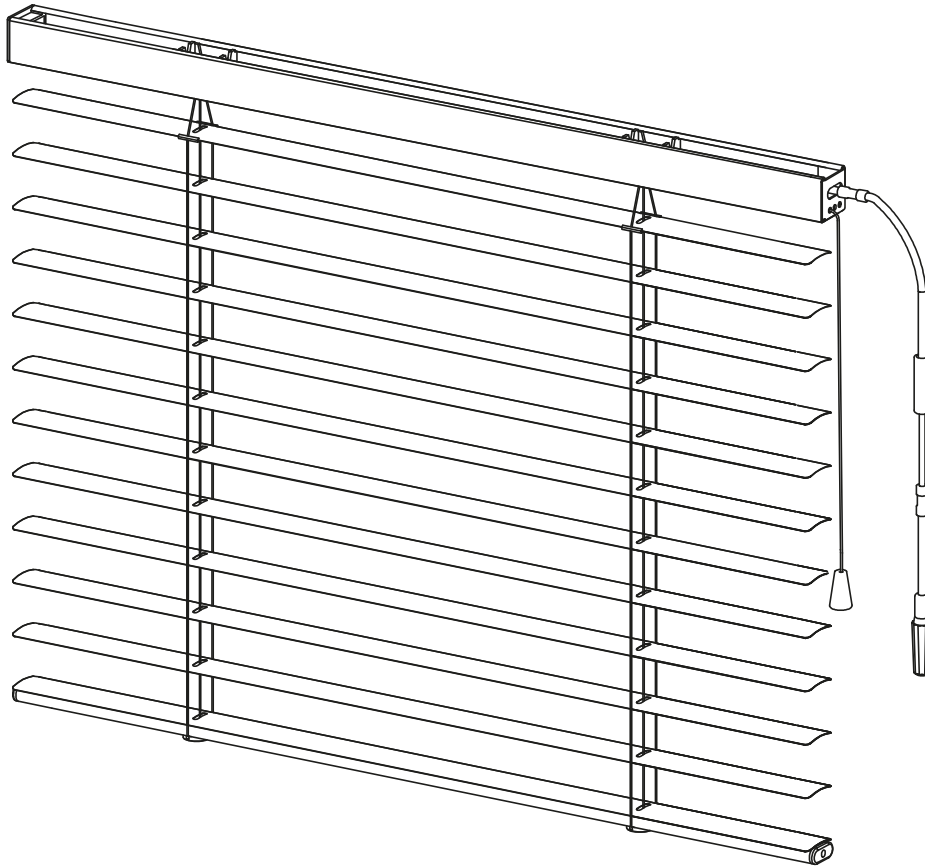


STANDARD



STANDARD II

Venetian blind that can be surface-mounted or installed between glazing, with control mechanism driven through a special hole drilled in the internal window sash.



Component name

1	Aluminum slat
2	Clip
3	Elastic wand
4	Elastic wand latch
5	Head rail metal end cap
6	25x25 mm head rail
7	Control rod
8	Bearing
9	Bearing tube
10	Head rail end cap
11	Bottom rail end cap
12	Peg*
13	Cord with PVC weight
14	Ladder cap
15	Cord ladder
16	Steel or plastic line
17	25 mm bottom rail
18	Cord mounting- cleat (child safety)***
19	Cord mounting – button (child safety)***

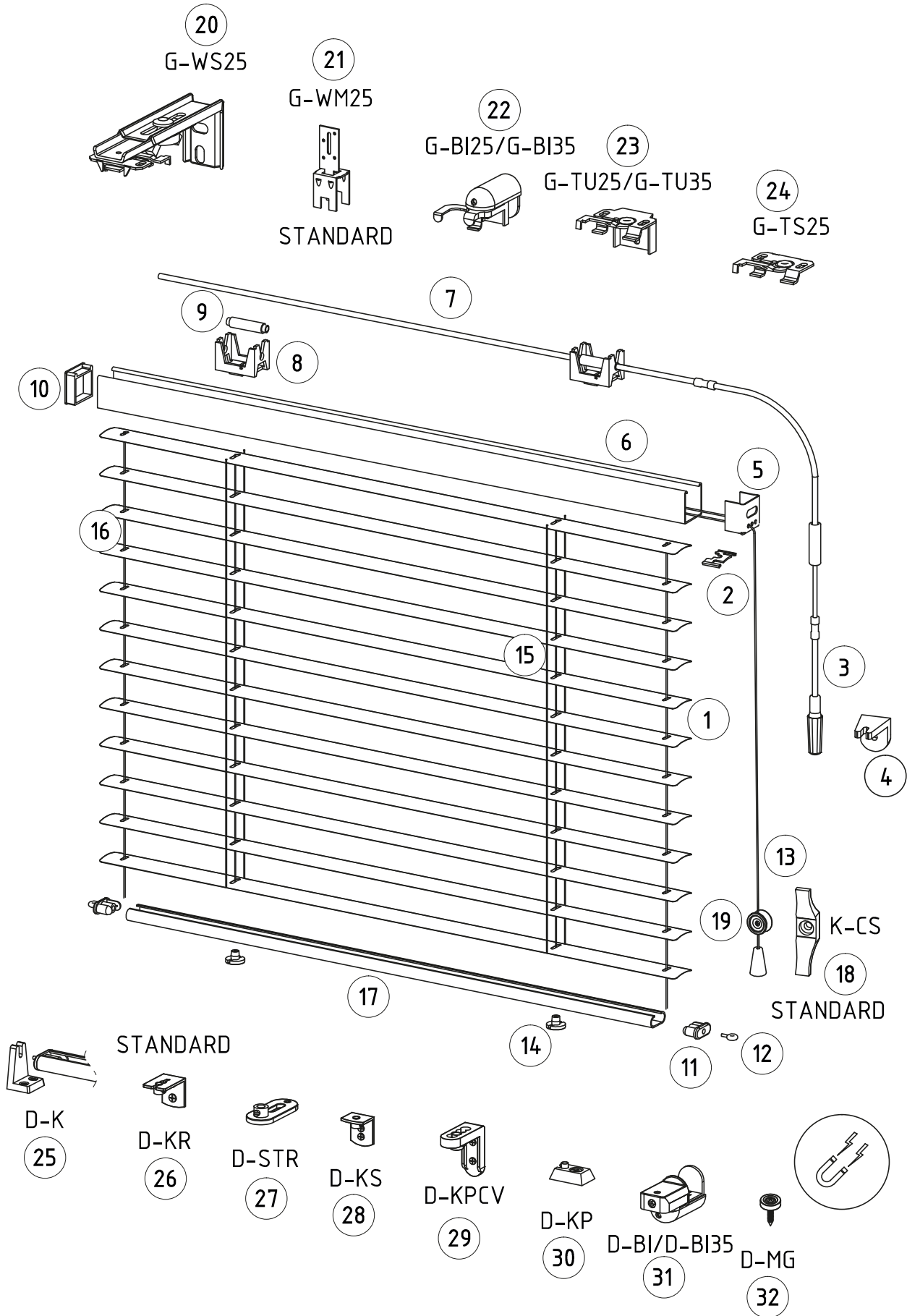
Holder name

20	G-W525 hanger
21	G-WM25 hanger
22	G-BI25 hanger (non invasive)/G-BI35**
23	G-TU25 hanger (non invasive)/G-TU35**
24	G-T525 (ceiling hanger)
25	D-K holder
26	D-STR holder*
27	D-KS holder*
28	D-KS holder*
29	D-KPCV holder (transparent)*
30	D-KP holder*
31	D-BI holder (non invasive)*/D-BI35**
32	D-MG holder (with magnet)

* If the blind has side guidance

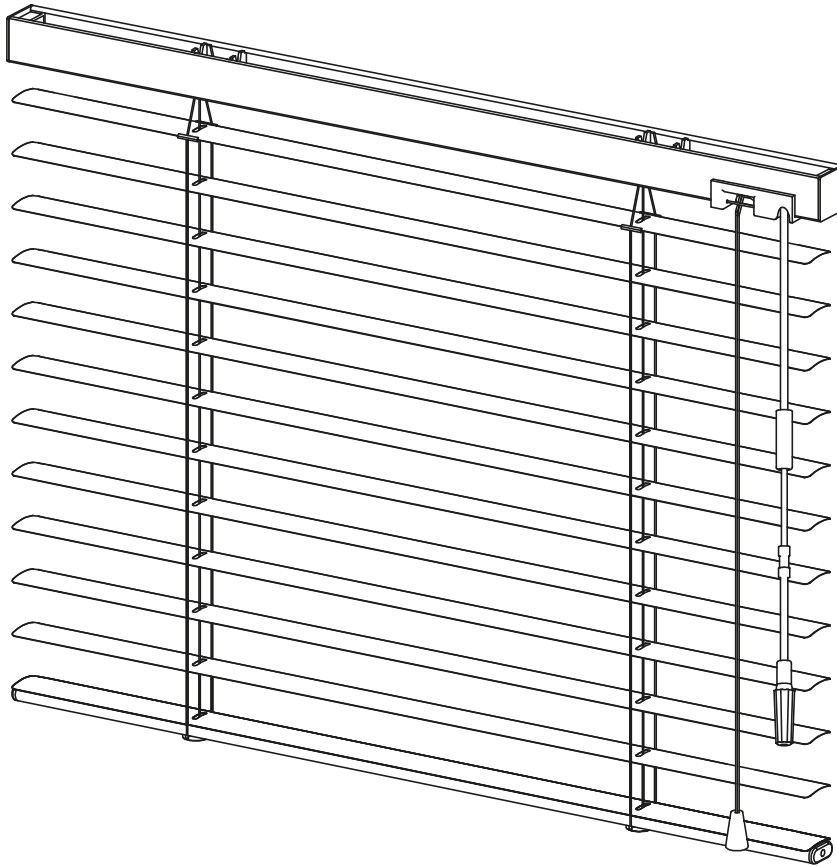
** In case of 35mm slat

*** Optional



STANDARD III

Surface-mounted venetian blind controlled with cord and elastic wand, that are led out through a special component in the front side of head rail.



Component name

1	Aluminum slat
2	Elastic wand
3	Clip
4	Head rail end cap
5	25x25 mm head rail
6	Control rod
7	Bearing
8	Bearing tube
9	Bottom rail end cap
10	Peg*
11	Cord with PVC weight
12	Steel or plastic line
13	Cord ladder
14	Ladder cap
15	25 mm bottom rail
16	Safe cord connector (child safety)***
17	Cord mounting- cleat (child safety)***
18	Cord mounting – button (child safety)***
19	Elastic wand latch

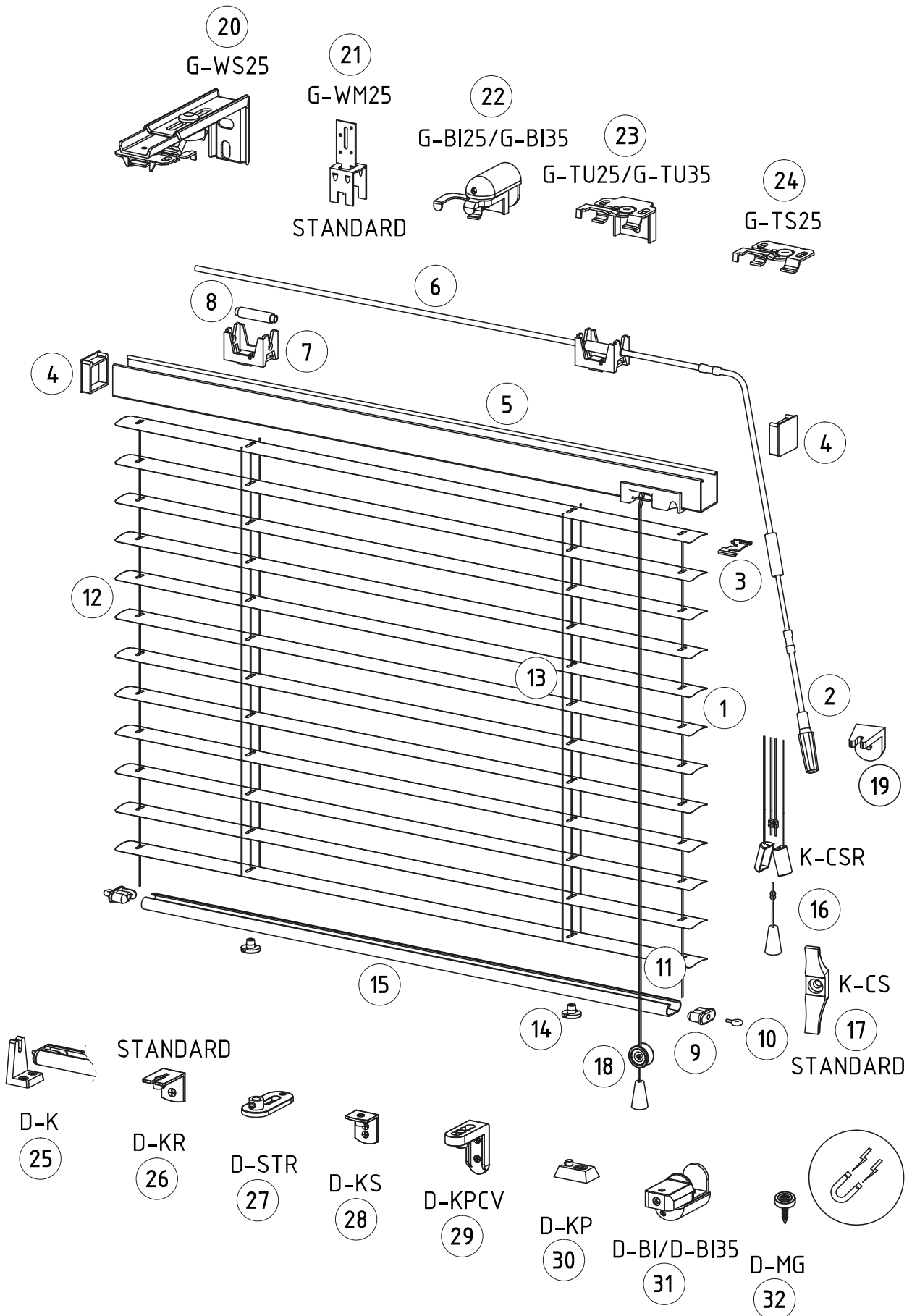
Holder name

20	G-WS25 hanger
21	G-WM25 hanger
22	G-BI25 hanger (non invasive)/G-BI35**
23	G-TU25 hanger (non invasive)/G-TU35**
24	G-TS25 (ceiling hanger)
25	D-K holder
26	D-KR holder*
27	D-STR holder*
28	D-KS holder*
29	D-KPCV holder (transparent)*
30	D-KP holder*
31	D-BI holder (non invasive)*/D-BI35**
32	D-MG holder (with magnet)

* If the blind has side guidance

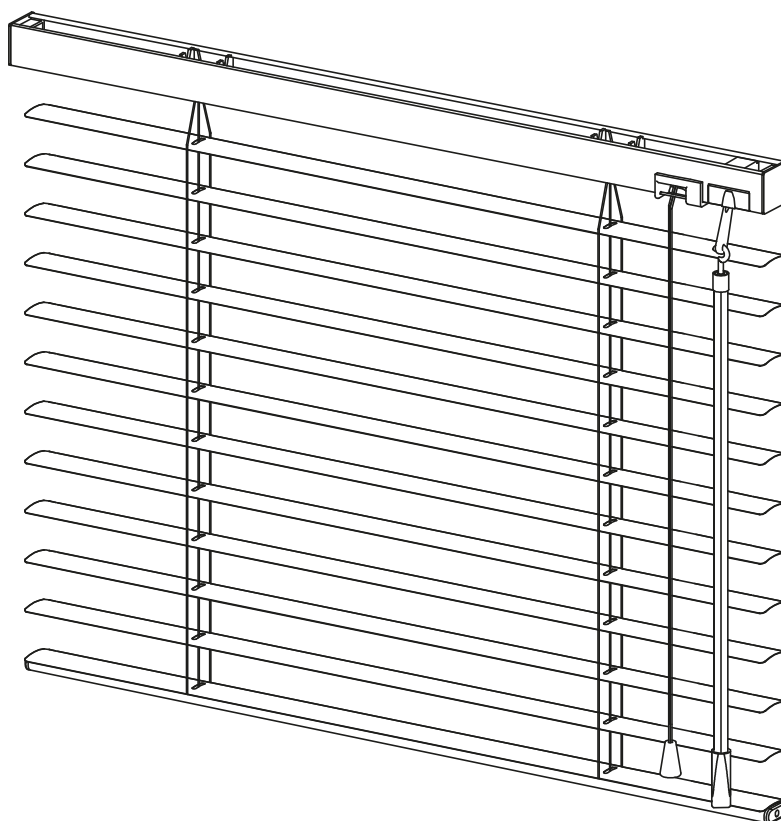
** In case of 35mm slat

*** Optional



STANDARD IV

Classic surface-mounted venetian blind controlled with wand for tilting and cord for lifting and lowering slats. The most popular system, that can be installed on every type of window and in every type of mounting – upper, side, non invasive. It can be also equipped with battery electric drive for tilting the slats (TILT ONLY SYSTEM).



Component name

1	Aluminum slat
2	Clip
3	Head rail end cap
4	Control rod
5	Bearing
6	Bearing tube
7	25x25 mm head rail
8	Wand
9	Bottom rail end cap
10	Peg*
11	Cord with PVC weight
12	Cord break
13	Steel or plastic line
14	Cord ladder
15	Ladder cap
16	25 mm bottom rail
17	Safe cord connector (child safety)***
18	Cord mounting- cleat (child safety)***

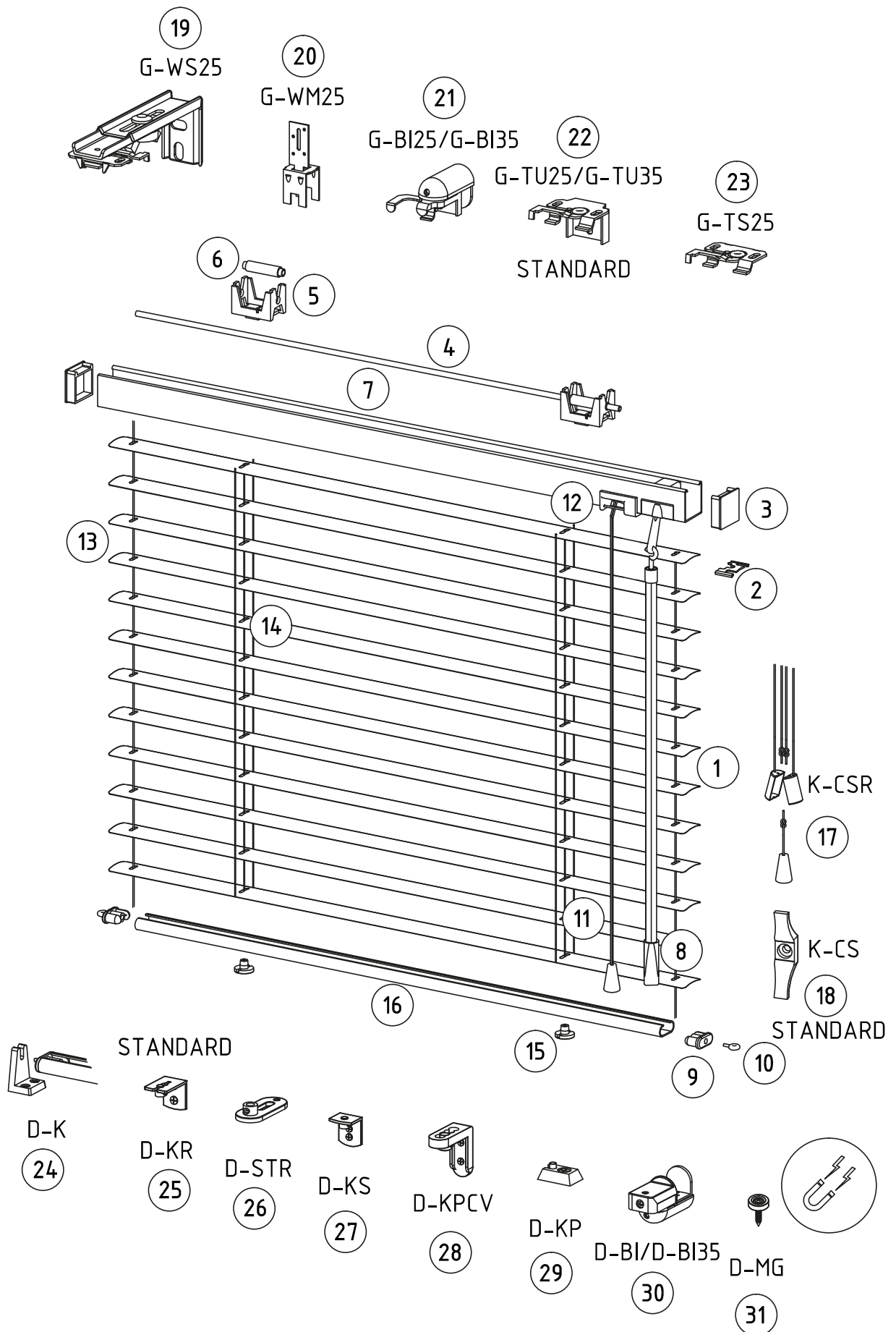
Holder name

19	G-WS25 hanger
20	G-WM25 hanger
21	G-BI25 hanger (non invasive)/G-BI35**
22	G-TU25 hanger (non invasive)/G-TU35**
23	G-TS25 (ceiling hanger)
24	D-K holder
25	D-KR holder*
26	D-STR holder*
27	D-KS holder*
28	D-KPCV holder (transparent)*
29	D-KP holder*
30	D-BI holder (non invasive)*/D-BI35**
31	D-MG holder (with magnet)

* If the blind has side guidance

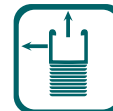
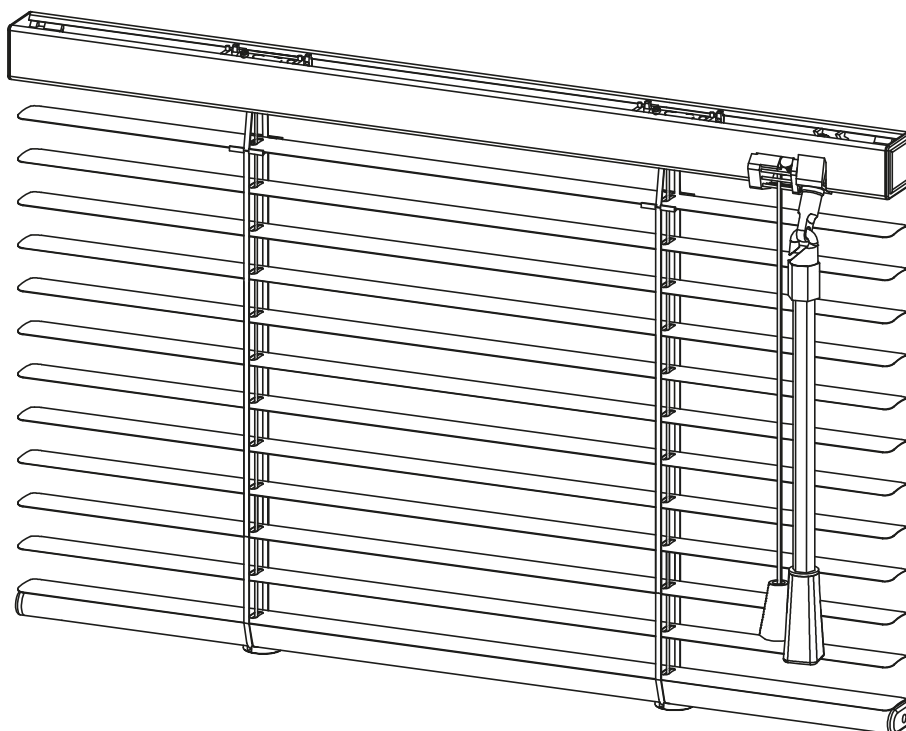
** In case of 35mm slat

*** Optional



MINI 16

System with a special head rail (20 x 19 mm) that aesthetically fits 16 mm slat. The blind is controlled with a wand for tilting and cord for lifting the slats.



Component name

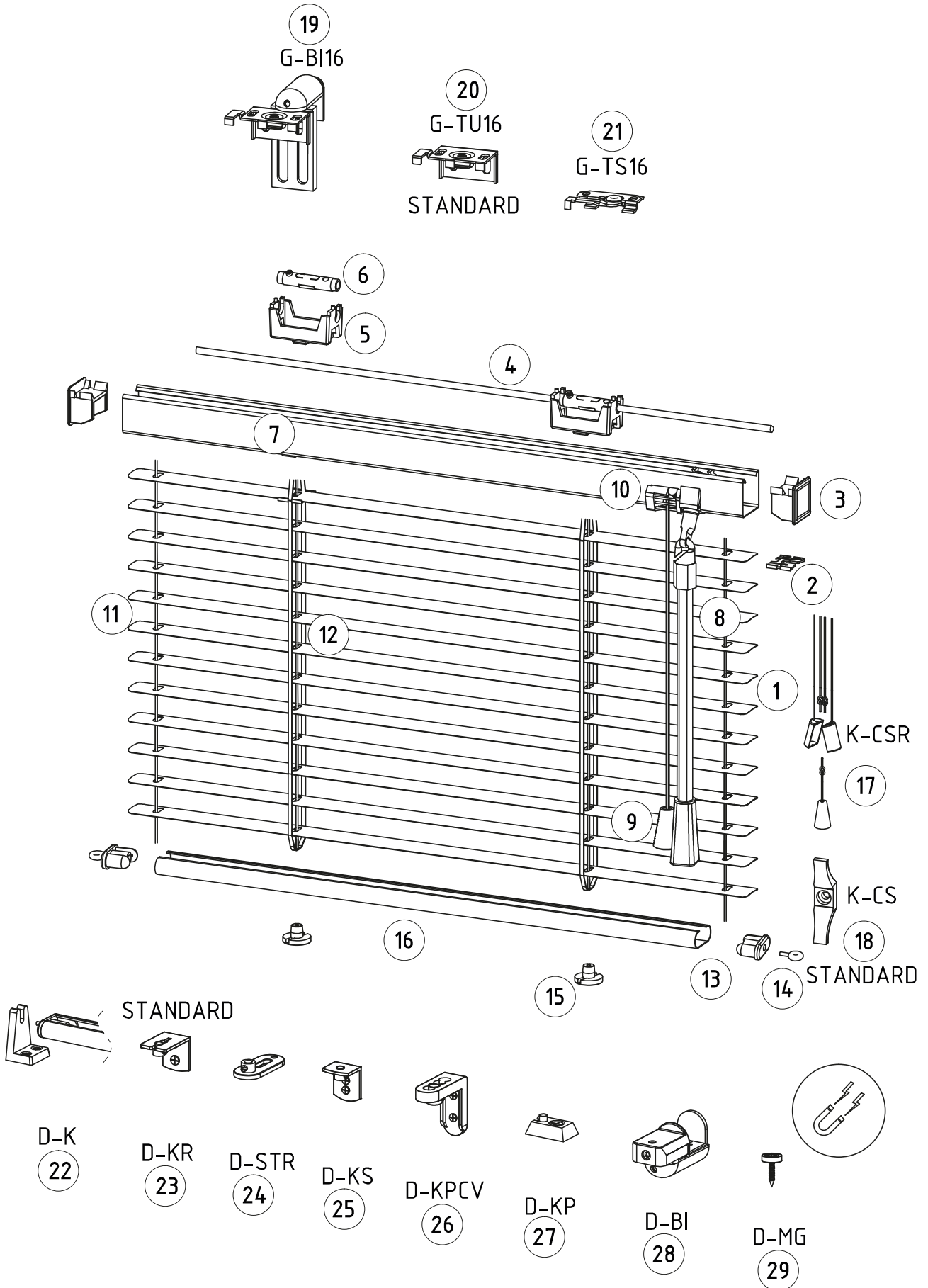
1	Aluminum 16 mm slat
2	16 mm clip
3	Head rail end cap
4	Control rod
5	Tilter
6	Tilter roll
7	20 x 19 mm head rail
8	Wand
9	Cord with PVC weight
10	Cord blocking mechanism
11	Steel or plastic line
12	Cord ladder
13	Bottom rail end cap
14	Peg*
15	Ladder cap
16	16 mm bottom rail / W POLSKIEJ WERSJI jest 25mm
17	Cord safe connector (child safety)**
18	Cord mounting- cleat (child safety)**

Holder name

19	G-BI16 bracket (noninvasive)
20	G-TU16 bracket (noninvasive)
21	G-TS16 (ceiling bracket)
22	D-K holder
23	D-KR holder*
24	D-STR holder*
25	D-KS holder*
26	D-KPCV holder (transparent)*
27	D-KP holder*
28	D-BI holder (noninvasive)*
29	D-MG holder (with magnet)

* If the blind has side guidance

** Optional

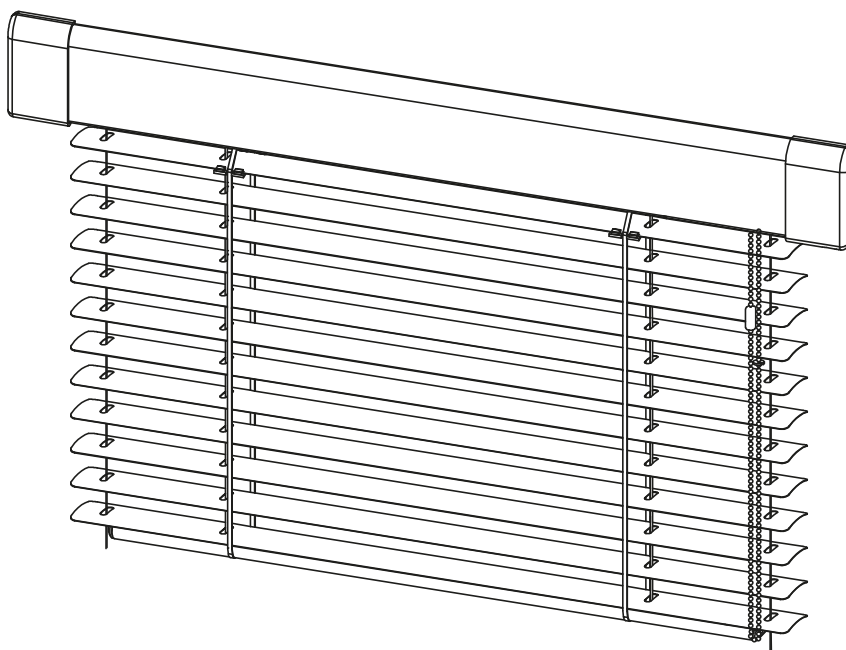


VENUS

Blind in Venus system is surface mounted venetian blind suitable for all types of windows, controlled with cord led out from the bottom side of head rail.

It can be produced in ONLINE version, which ensures lower light transmission.

It is made with fix (side guiding) as standard.



Component name

1	Ball chain
2	Ball chain's holder
3	Aluminum slat
4	Clip
5	Guiding line*
6	Cord ladder
7	Plate for side cover mounting with chain mechanism
8	Side cover
9	Plate for side cover mounting
10	Distance pad**
11	Drive body
12	Drive wheel
13	Control mechanism***
14	Control rod
15	Head rail Venus
16	Tilter
17	Tilter roll
18	Bottom rail cap
19	Peg*
20	Ladder cap
21	Bottom rail 25 mm
22	Tape bracket
23	Chain tensioner

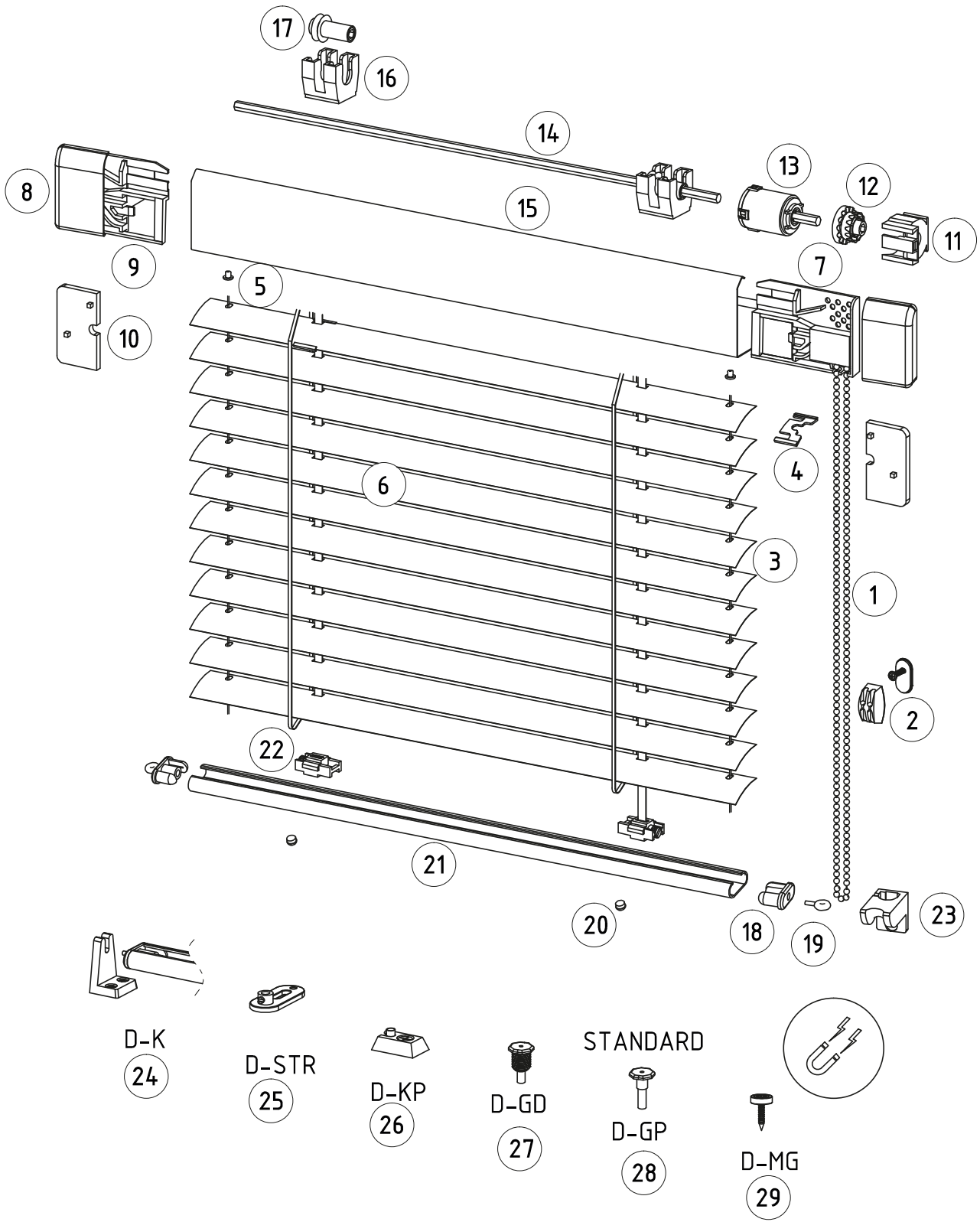
Holder name

24	D-K holder
25	D-STR holder*
26	D-KP holder*
27	D-GD holder (for wooden windows)*
28	D-GP holder*
29	D-MG holder (with magnet)

* Venus is made with fix (side guiding) as standard

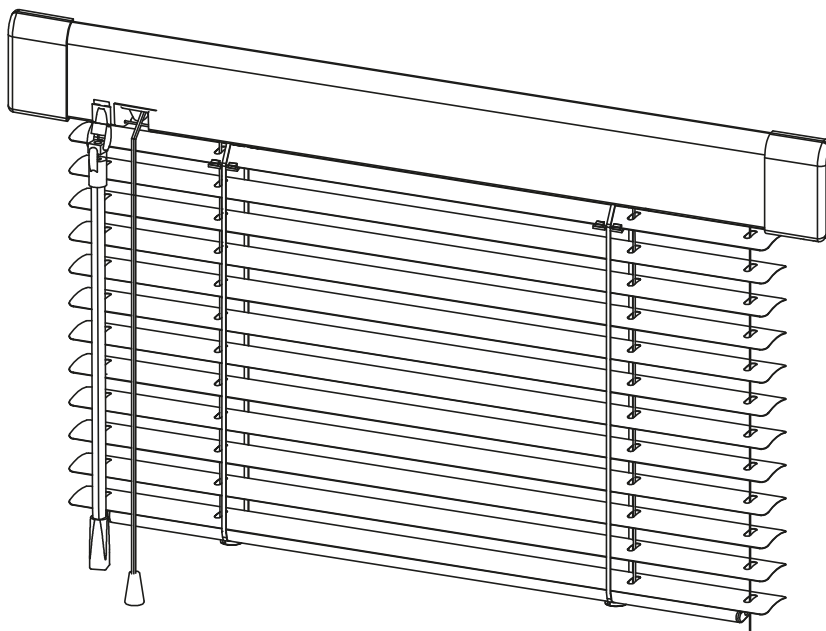
** Optional

*** For blinds equipped with self-stopping mechanism



VENUS STANDARD

Venus Standard - surface mounted venetian blind suitable for all types of windows, controlled with cord and wand, that are led out from the bottom side of head rail. It can be produced in ONLINE version, which ensures lower light transmission.



Component name

1	Aluminum slat
2	Clip
3	Guiding line
4	Side cover
5	Plate for side cover mounting
6	Distance pad
7	Control rod
8	Tilter
9	Tilter roll
10	Sleeve
11	Wand
12	Cord with PVC weight
13	Cord blocking mechanism
14	Bottom rail cap
15	Peg*
16	Cord ladder
17	Ladder cap
18	Bottom rail 25 mm
19	Cord mounting - button (child safety)**
20	Cord mounting- cleat (child safety)**

Holder name

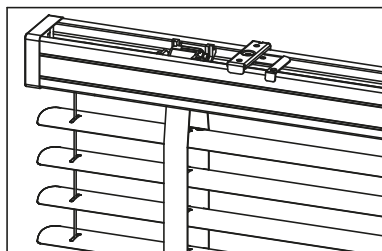
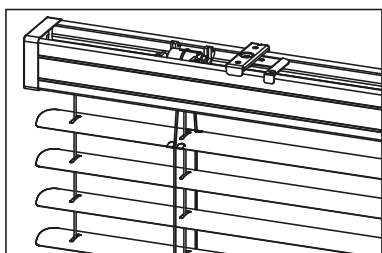
21	D-K holder
22	D-STR holder*
23	D-GD holder (for wooden windows)*
24	D-GP holder*
25	D-KP holder*
26	D-MG holder (with magnet)

* If the blind has side guidance

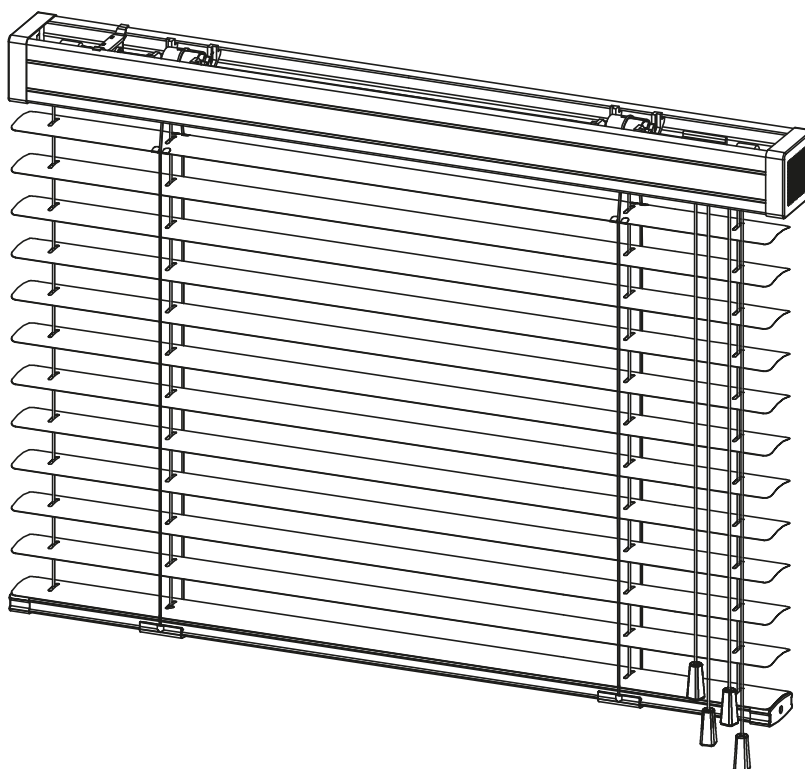
** Optional

FRONTON

Surface-mounted venetian blind with 50 mm slat, controlled with cord operated gear for lifting, lowering and tilting the slats. FRONTON can be produced with cord or tape ladder and wooden or bamboo head rail cover.



Only 50 mm slat



Component name

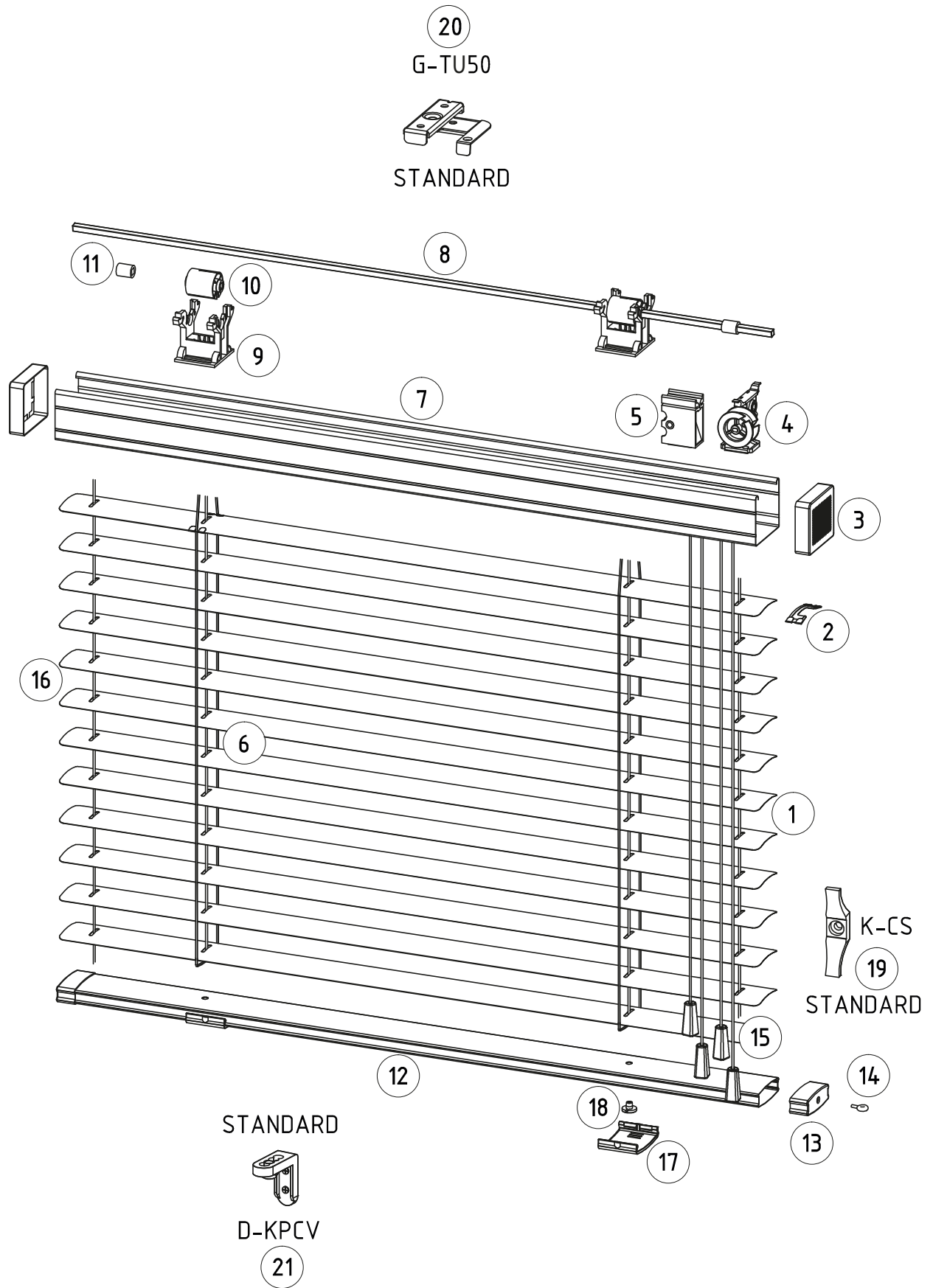
1	Aluminum 50 mm slat
2	Clip
3	Head rail end cap
4	Gear
5	5. Cord blocking mechanism
6	Cord/tape ladder
7	57 X 51 mm head rail
8	Control rod
9	Tilter
10	Tilter roll
11	Control rod blocker
12	50mm bottom rail
13	Bottom rail end cap
14	Peg*
15	Cord with transparent weights
16	Steel line*
17	Bottom rail ladder blocker
18	Ladder cap
19	Cord mounting- cleat (child safety)

Holder name

20	G-TU50
21	D-KPCV holder (transparent)*

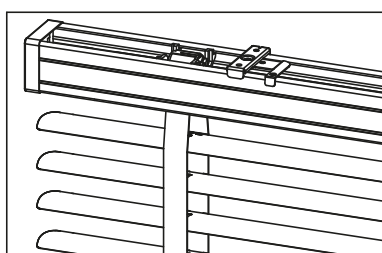
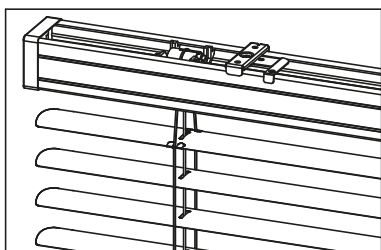
* If the blind has side guidance

** Optional

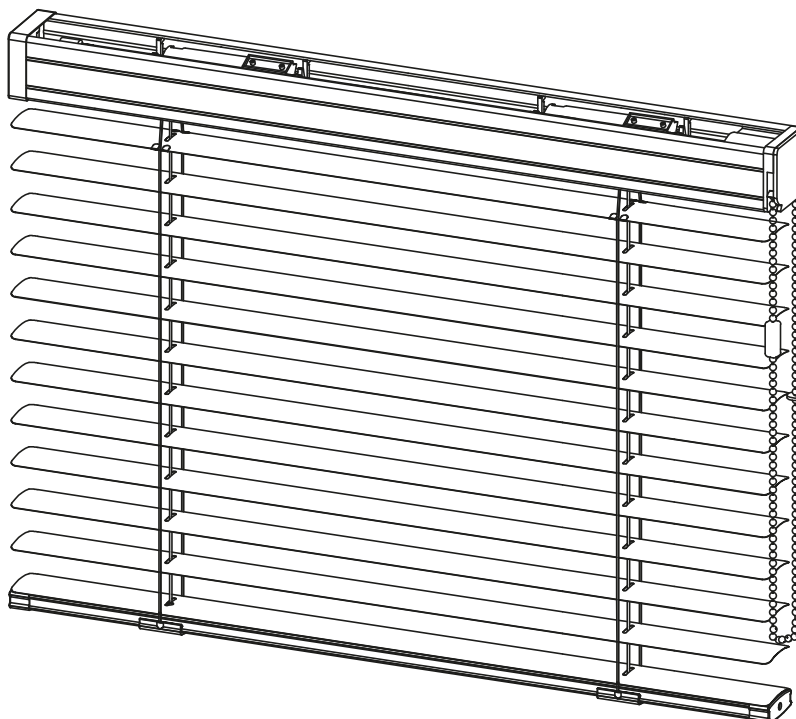


FRONTON CHAIN

Surface-mounted blind with 50 mm slat controlled with chain – a 4,5 x 6 mm loop that drives gear mechanism with 1:4 ratio which ensures smooth and effortless work even in case of large dimensions. The blind can be produced with cord or tape ladder.



Only 50 mm slot



Component name

1	Aluminum 50 mm slat
2	Clip
3	Ball chain mechanism
4	57 x 51 mm head rail
5	Tilter
6	Control rod
7	Control rod blocker
8	Head rail end cap
9	Cord/tape ladder*
10	50mm bottom rail
11	Bottom rail end cap
12	Ladder cap
13	Bottom rail ladder blocker
14	Chain loop
15	Chain tensioner

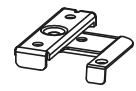
Holder name

16 | G-TU50 bracket

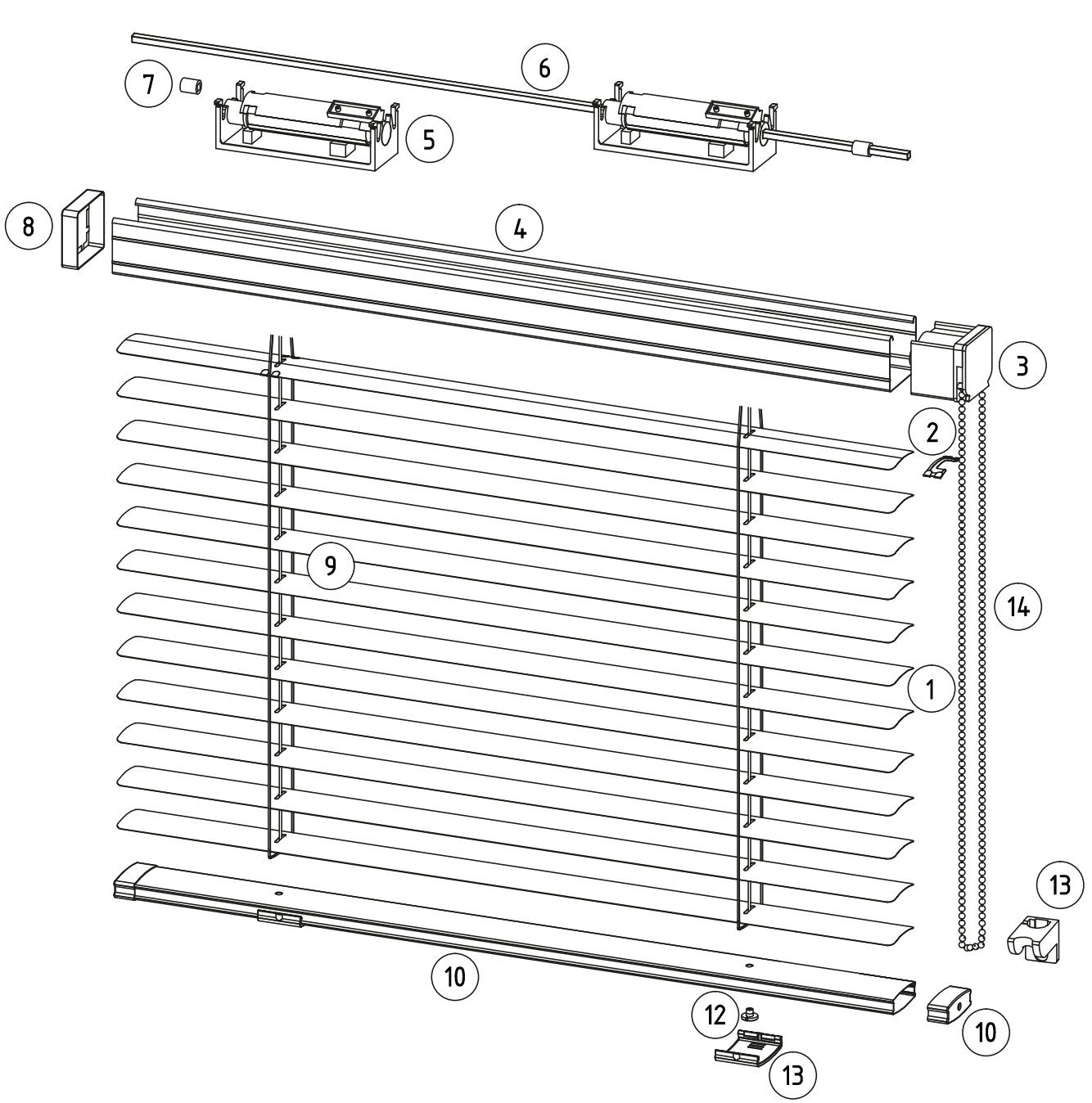
* Optional

Fronton Chain cannot be produced with side guiding

16

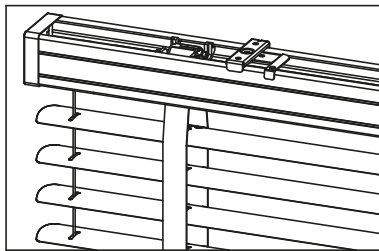
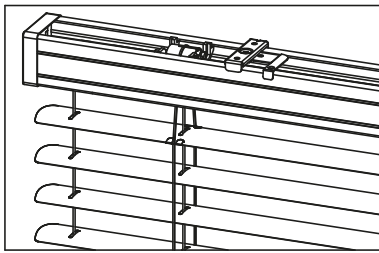


STANDARD G-TU50

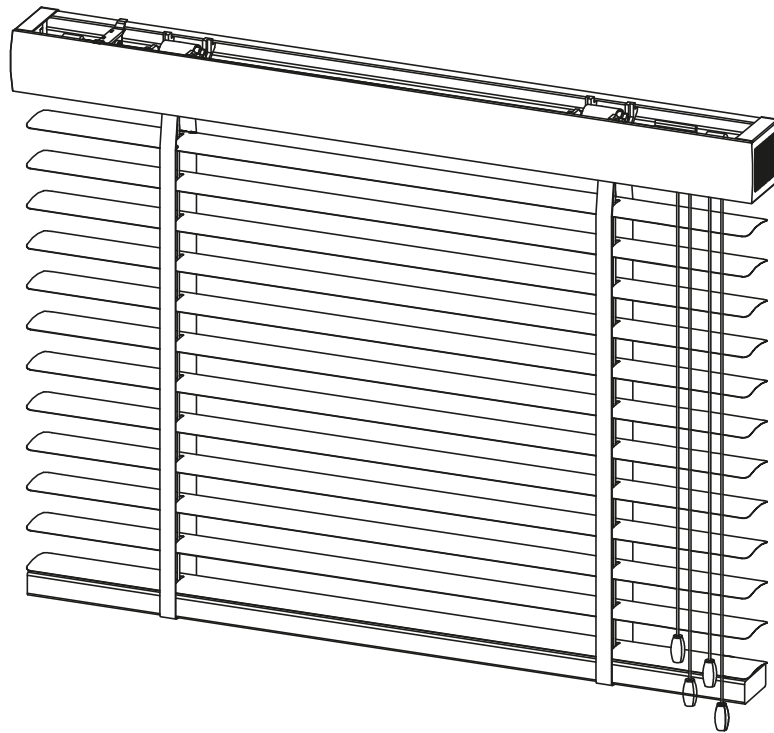


FRONTON ALU-WOOD

Surface-mounted venetian blind with 50 mm slat, which, identically to FRONTON is controlled with cord operated gear for lifting, lowering and tilting the slats. FRONTON can be produced with cord or tape ladder and wooden or bamboo head rail cover. Wooden end slat differentiates it from standard Fronton blind.



Only 50 mm slat



35

50

57x51



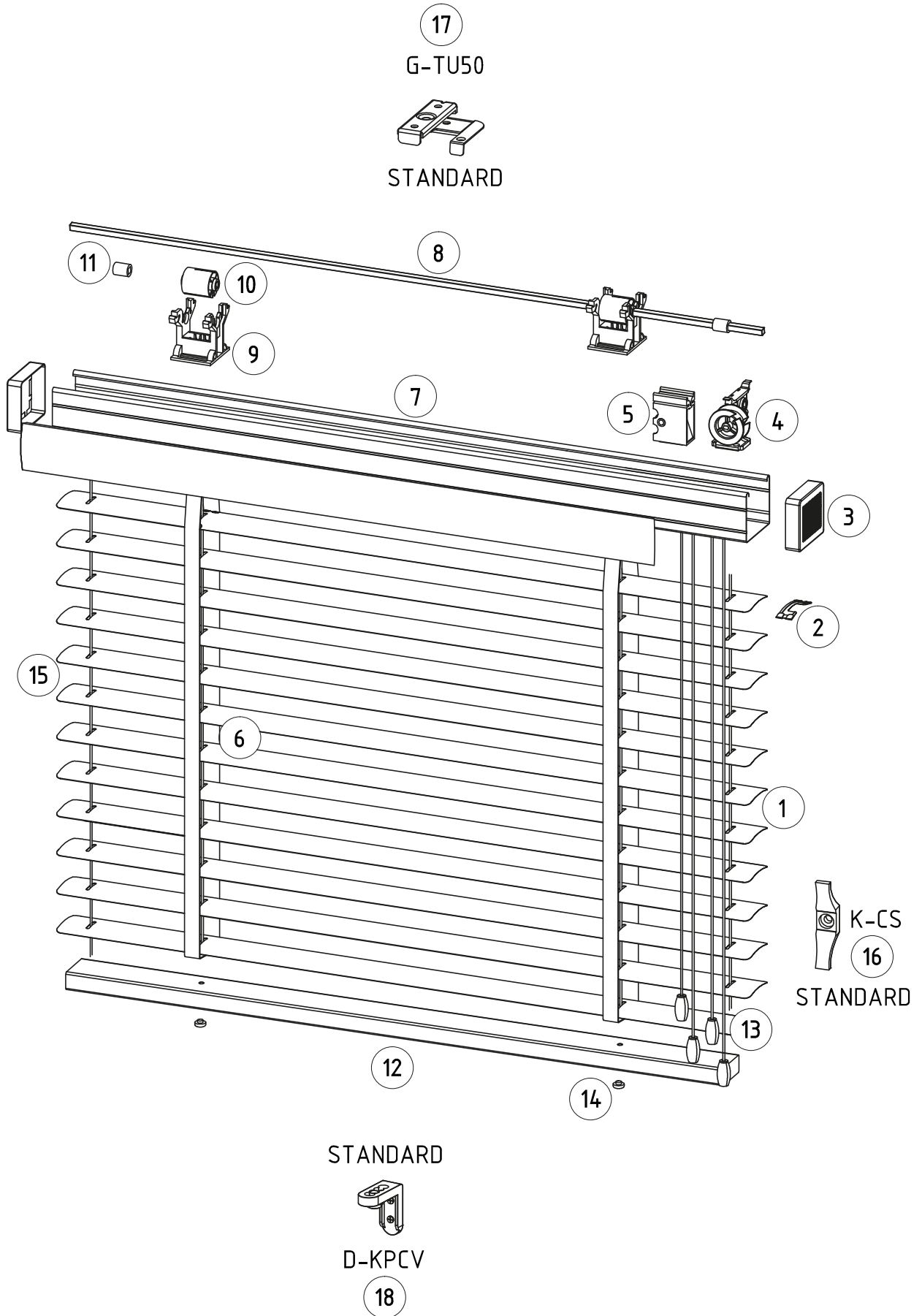
Component name

1	Aluminum 50 mm slat
2	Clip
3	Head rail end cap
4	Gear
5	Cord blocking mechanism
6	Cord/tape ladder**
7	57 X 51 mm head rail
8	Control rod
9	Tilter
10	Tilter roll
11	Control rod blocker
12	Wooden bottom rail
13	Cord with wooden weights
14	Bottom rail ladder blocker
15	Steel line*
16	Cord mounting- cleat (child safety)

Holder name

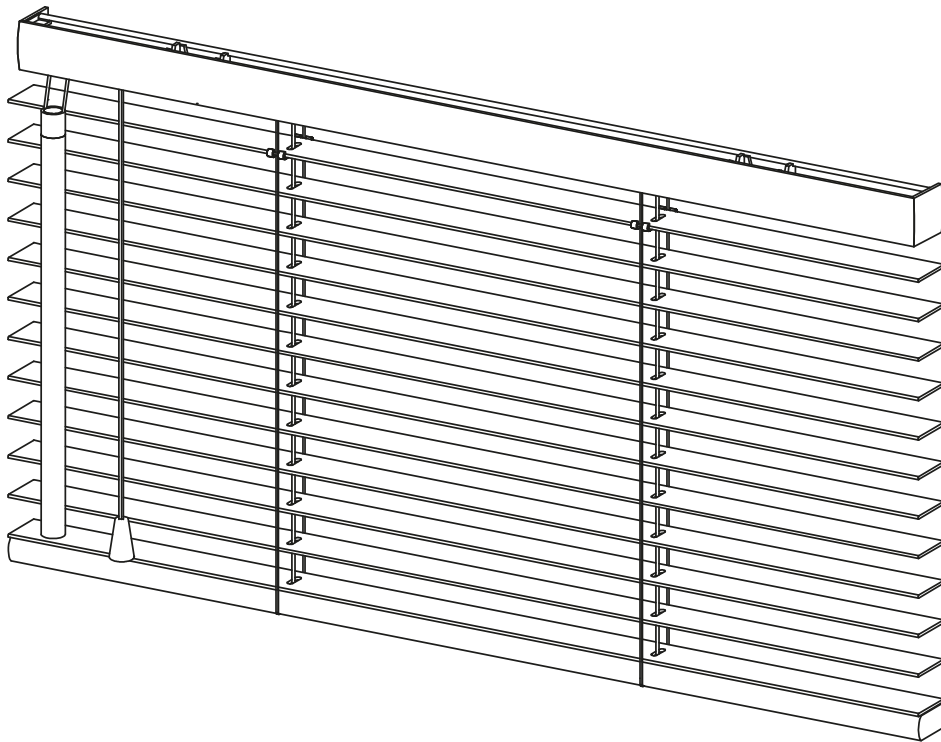
17	G-TU50
18	D-KPCV holder (transparent)*

* If the blind has side guidance
** Optional



WOOD CLASSIC 25

Standard surface-mounted venetian blind with 25 mm wooden slat, controlled by a gear with metal support and cord blocking mechanism.



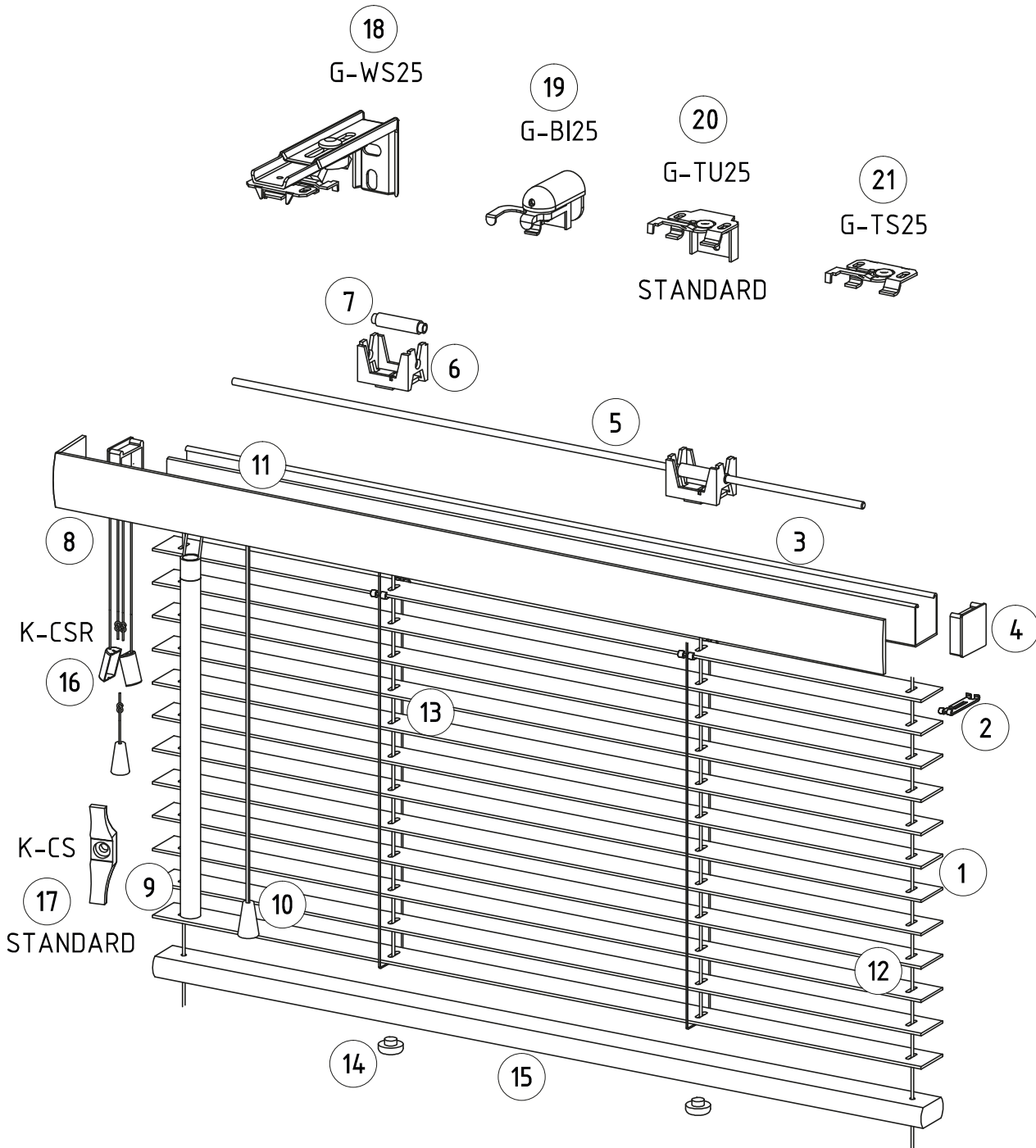
Component name

1	Slat
2	Clip
3	25x25mm head rail
4	Head rail end cap
5	Control rod
6	Tilter
7	Tilter roll
8	Cover
9	Wooden wand
10	Cord with wooden weight
11	Cord blocking mechanism
12	Steel or plastic line
13	Cord ladder
14	Ladder cap
15	Wooden bottom rail
16	Cord mounting - button (child safety)**
17	Cord mounting- cleat (child safety)**

Holder name

18	G-WS25 bracket
19	G-BI25 bracket
20	G-TU25 bracket
21	G-TS25 (ceiling bracket)
22	D-KR holder*
23	D-KS holder*
24	D-STR holder*
25	D-KPCV holder (transparent)*
26	D-KP holder*
27	D-BI holder*

* If the blind has side guidance
** Optional



STANDARD



D-KR

22



D-STR

23



D-KS

24



D-KPCV

25



D-KP

26

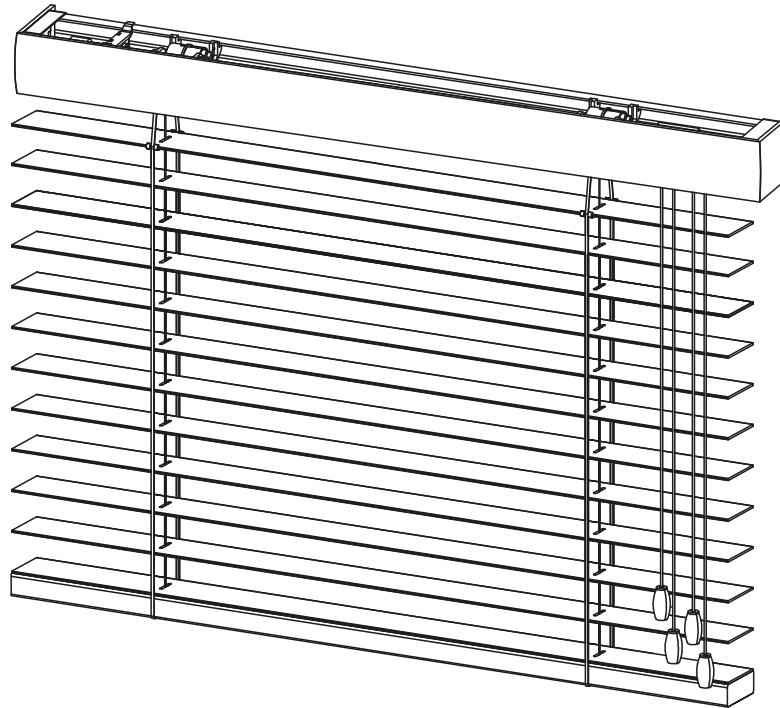
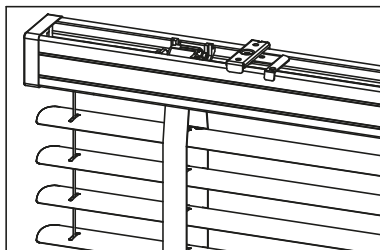
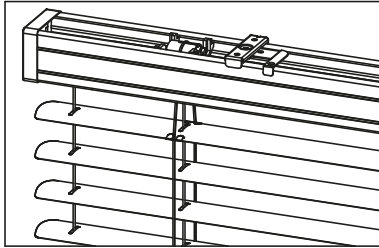


D-BI

27

WOOD CLASSIC 50

A massive "fifty" with wooden 50 mm slat, that perfectly harmonizes with large dimension windows (maximum dimensions of the blind are 2400 x 3000). The blind can be produced with tape or cord ladder.



Component name

1	Slat
2	Clip
3	57 x 51 mm head rail
4	Head rail end cap
5	Gear
6	Cord blocking mechanism
7	Control rod
8	Tilter
9	Tilter roll
10	Control rod blocker
11	Cover
12	Cord with wooden weight
13	Steel or plastic line*
14	Cord/tape ladder
15	Wooden bottom rail
16	Ladder cap
17	Cord mounting- cleat (child safety)**

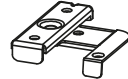
Holder name

18	G-TU50 bracket
19	D-KPCV holder (transparent)*

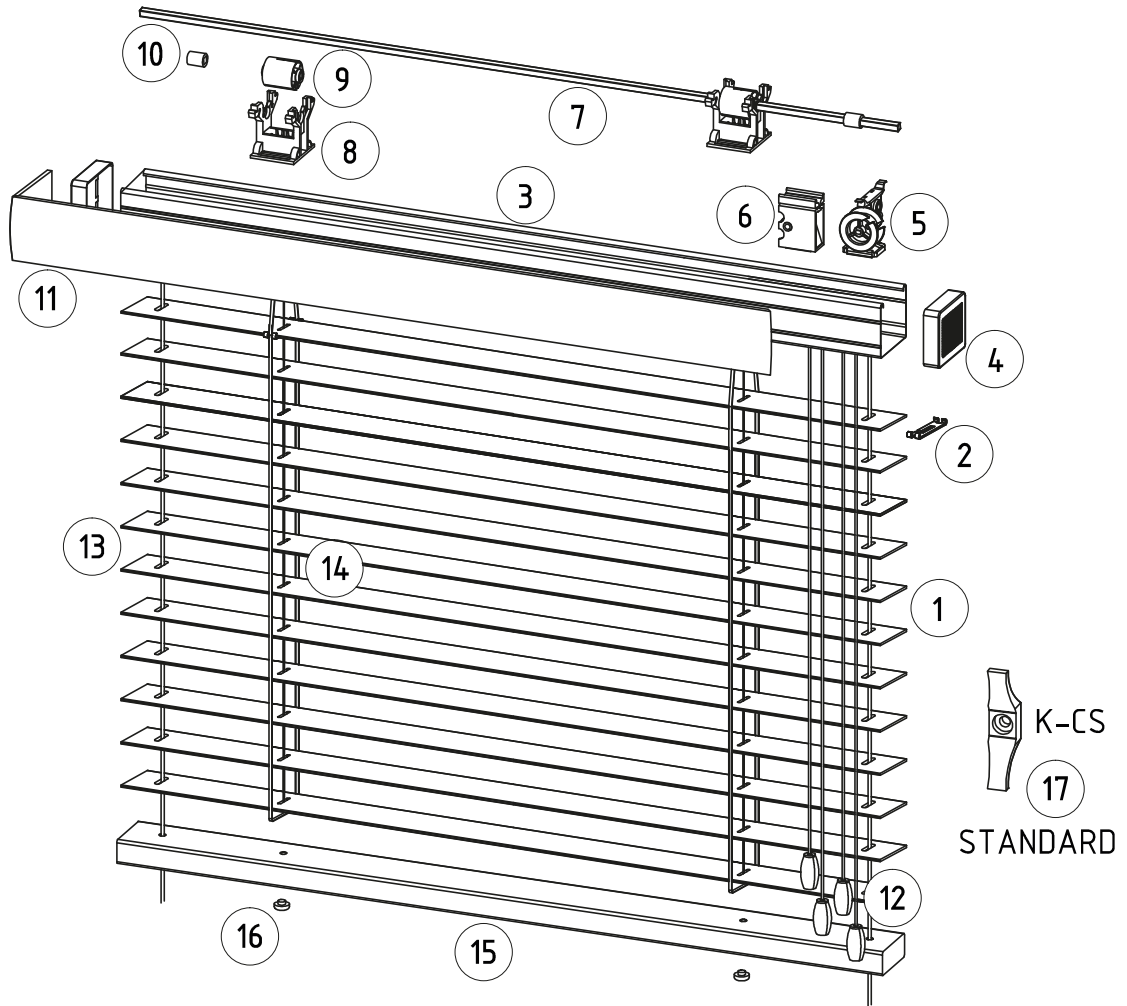
* If the blind has side guidance
** Optional

18

G-TU50



STANDARD



STANDARD

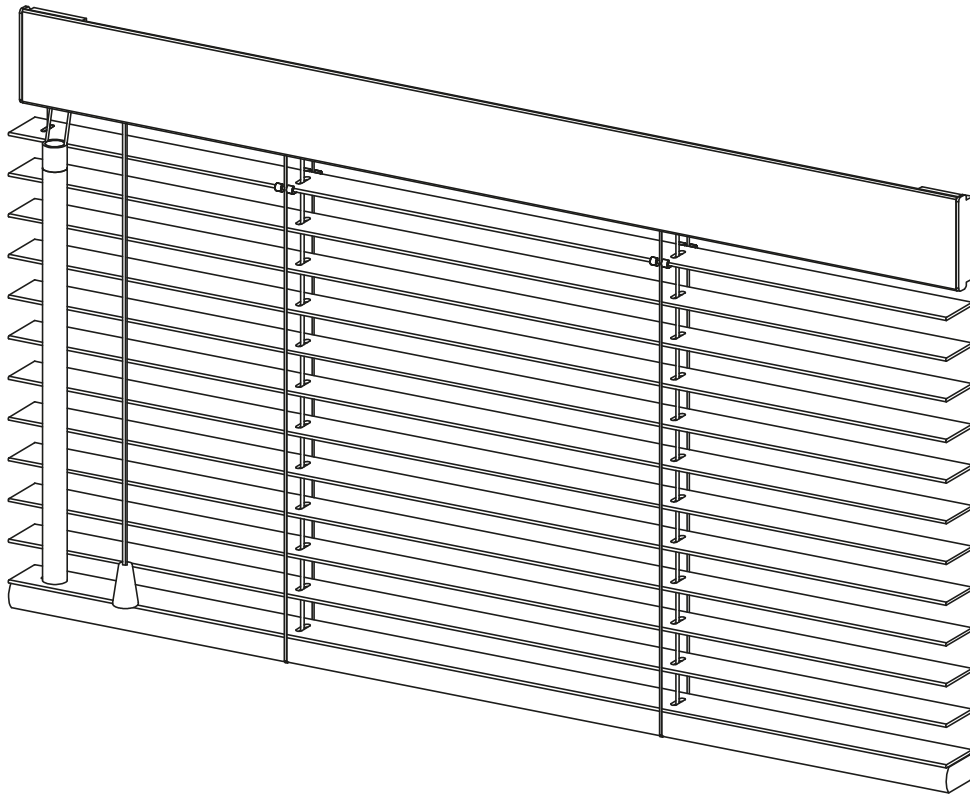


D-KPCV

19

WOOD NEW DESIGN 25

Venetian blind with wooden 25 mm slat, a new approach to the classic, surface mounted blind with cover bar, installed within window frame.



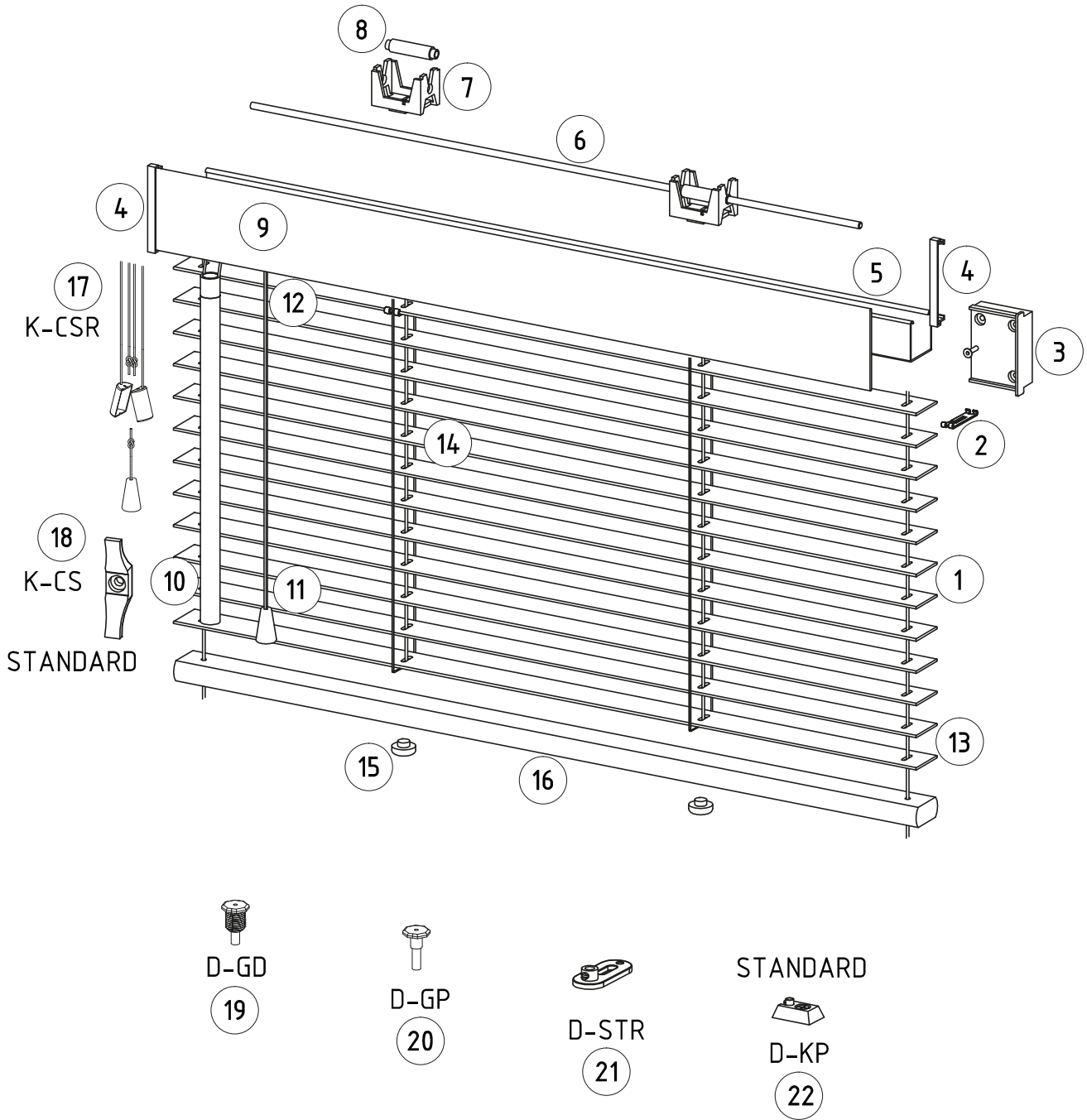
Component name

1	Lat
2	Clip
3	Mounting bracket
4	Cover clasp
5	25 x 25 head rail
6	Control rod
7	Tilter
8	Tilter roll
9	Head rail cover
10	Wooden wand
11	Control cord with wooden weight
12	Cord blocking mechanism
13	Steel or plastic line*
14	Cord ladder
15	Ladder cap
16	Wooden bottom rail
17	Safe cord connector (child safety)
18	Cord mounting- cleat (child safety)

Holder name

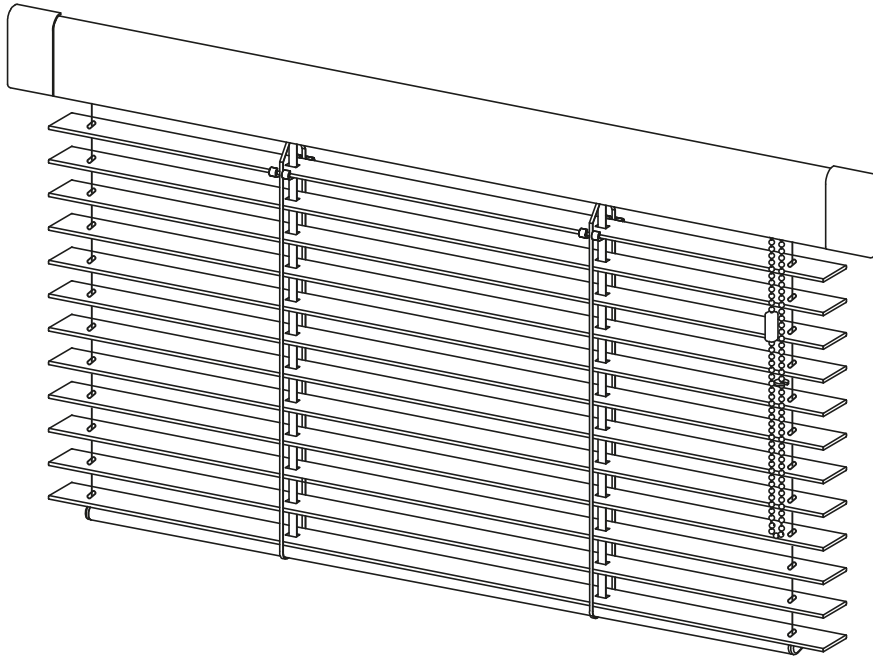
19	D-GD holder*
20	D-GP holder*
21	D-STR holder*
22	D-KP holder*

* If the blind has side guidance



WOOD VENUS 25

Venetian blind with wooden 25 mm slat, designed for installation within PVC and wooden windows frame, controlled with chain.



Component name

1	Slat
2	Clip
3	Ball chain holder
4	Ball chain
5	Guiding line*
6	Cord ladder
7	Control tape
8	Side cover
9	Plate for side cover mounting
10	Distance pad**
11	Drive body
12	Drive wheel
13	Control mechanism
14	Control rod
15	Head rail
16	Tilter
17	Tilter roll
18	Bottom rail end cap (if the blind has side guidance)
19	Peg*
20	Ladder cap
21	Bottom rail 25 x 25 mm
22	Tape bracket
23	Chain tensioner

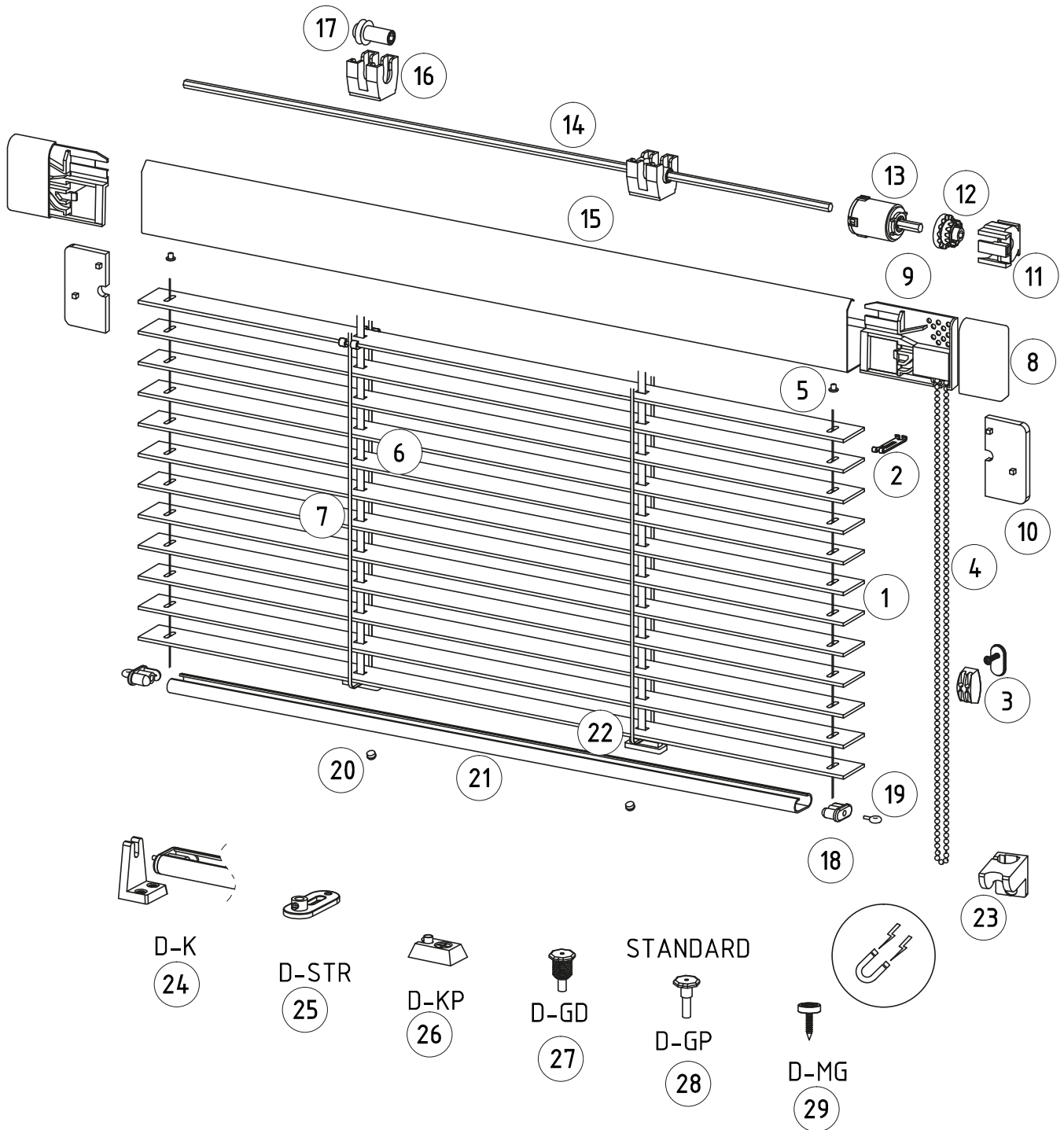
Holder name

24	D-K holder
25	D-STR holder*
26	D-KP holder*
27	D-GD holder*
28	D-GP holder*
29	D-MG holder (with magnet)

* Venus is made with fix (side guiding) as standard

** Optional

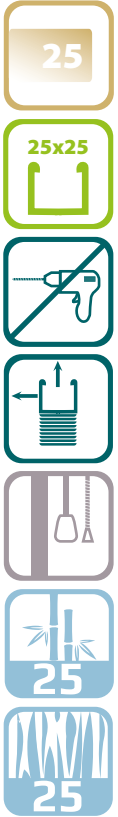
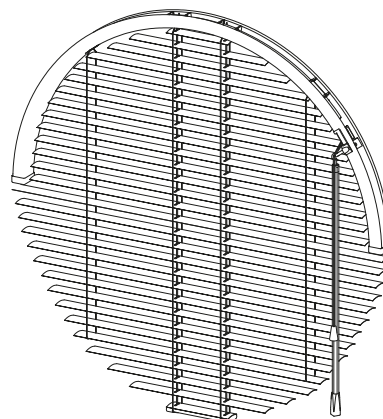
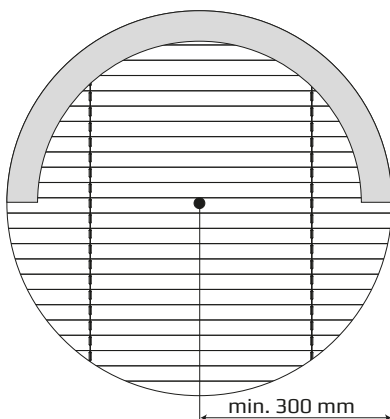
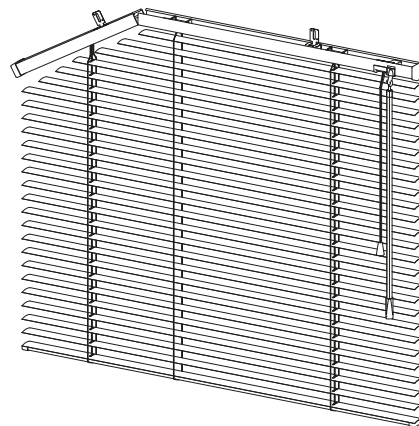
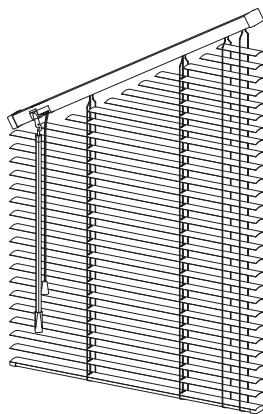
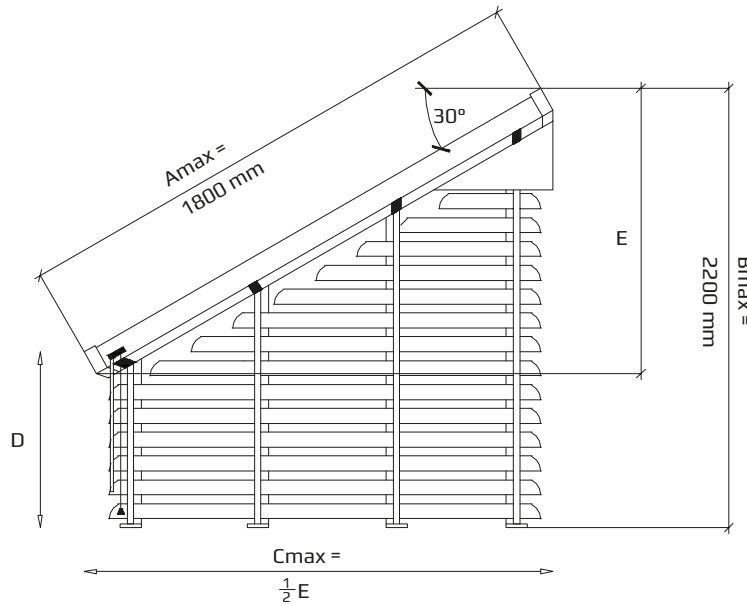
*** For blinds equipped with self-stopping mechanism



ATYPICAL BLINDS

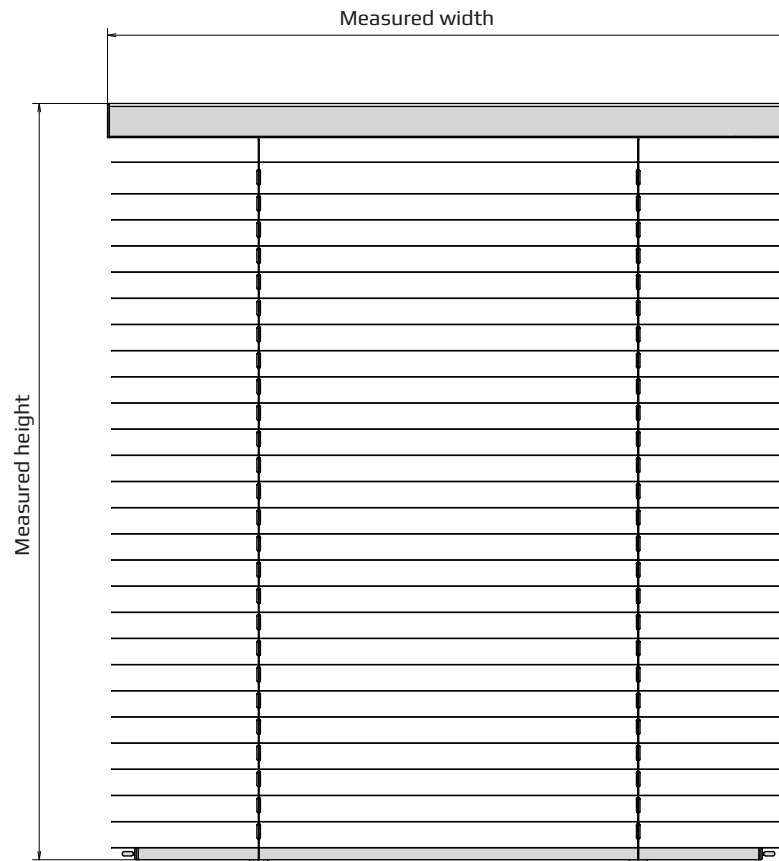
Surface mounted venetian blind of atypical shape, for all types of windows. Controlled with wand for tilting and cord for lifting and lowering the slats. Atypical blinds are produced based on STANDARD IV system

LIMITATIONS FOR ATYPICAL BLINDS

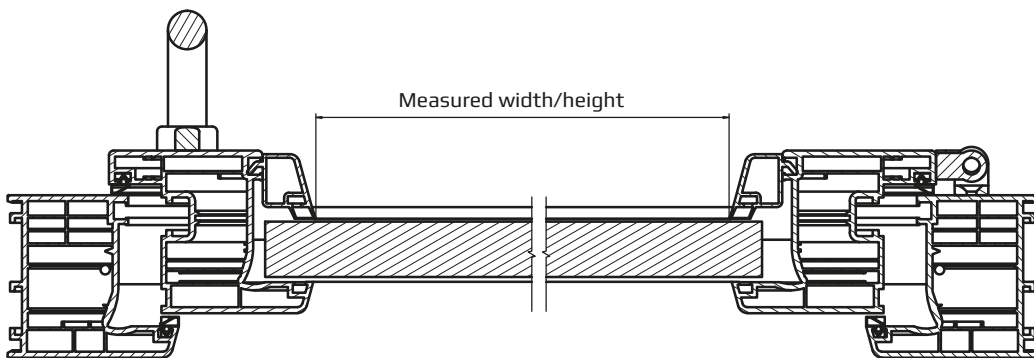


WAYS OF MEASURING THE BLINDS

BLIND MOUNTED OUTSIDE WINDOW FRAME

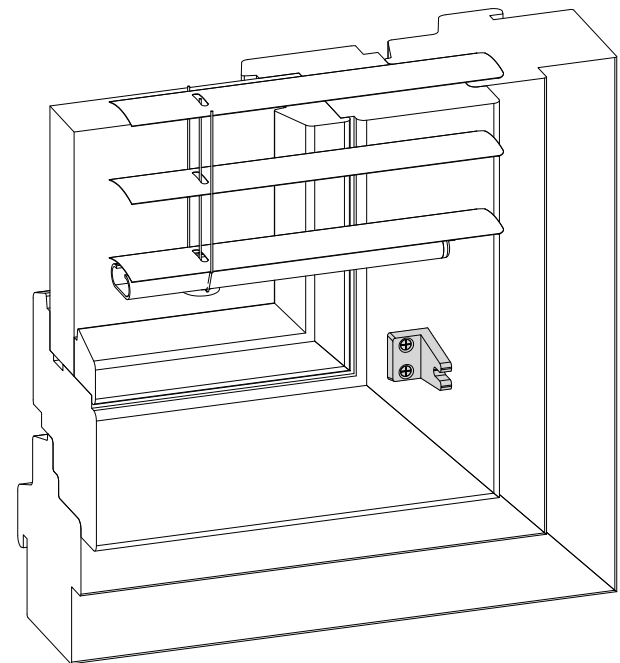
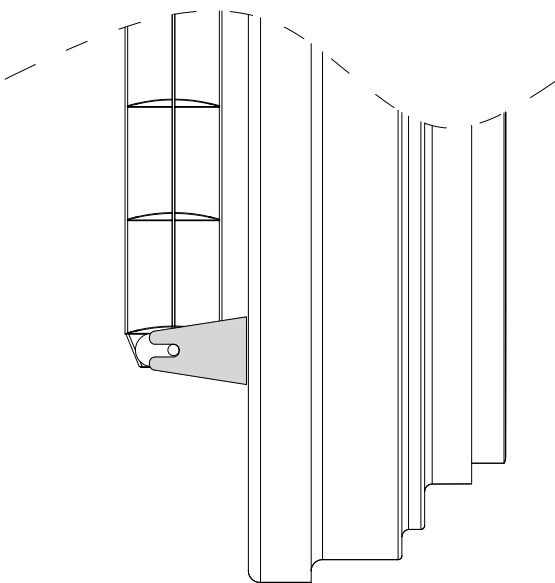
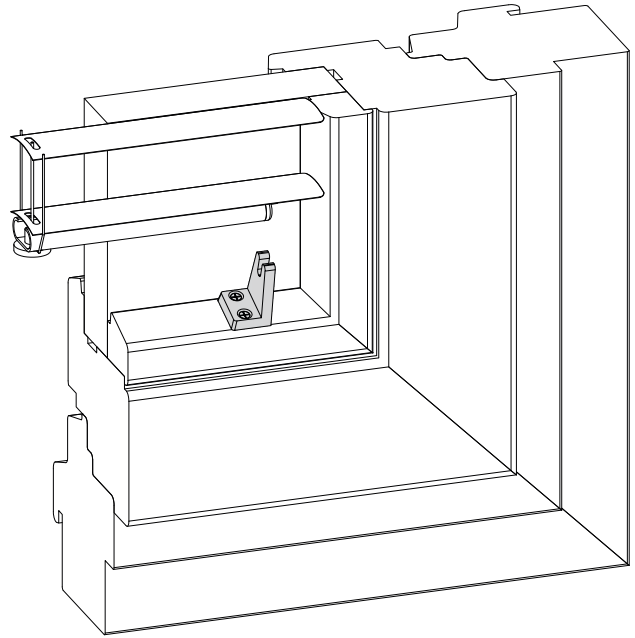
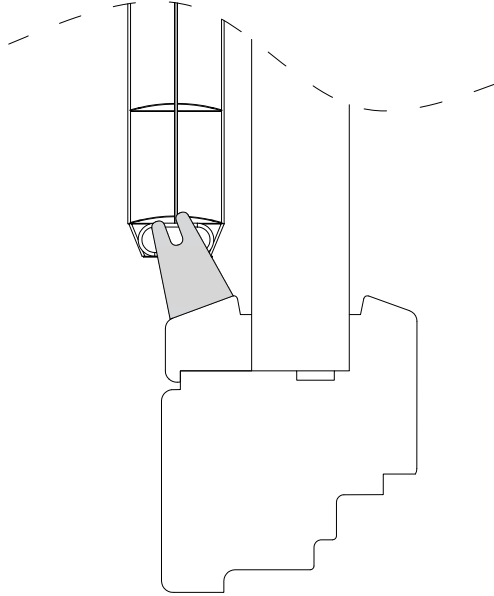


BLIND MOUNTED WITHIN WINDOW FRAME

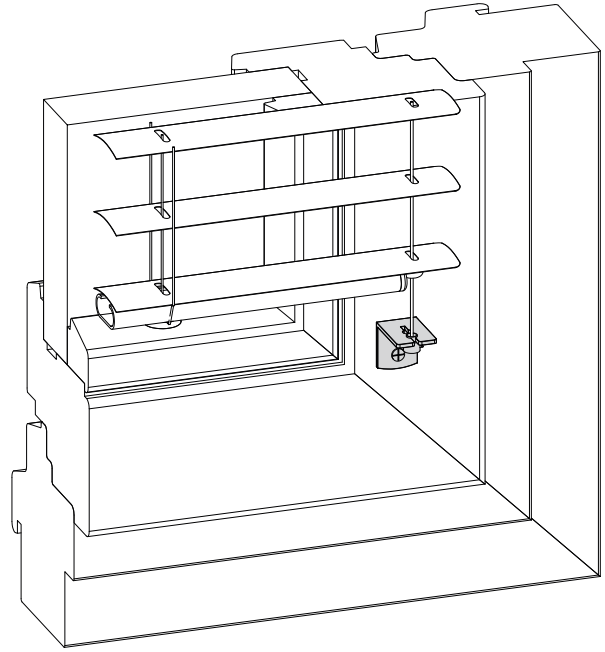
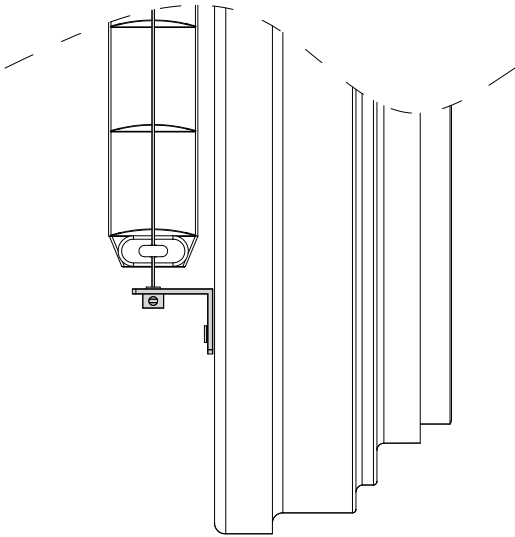


BOTTOM HOLDERS

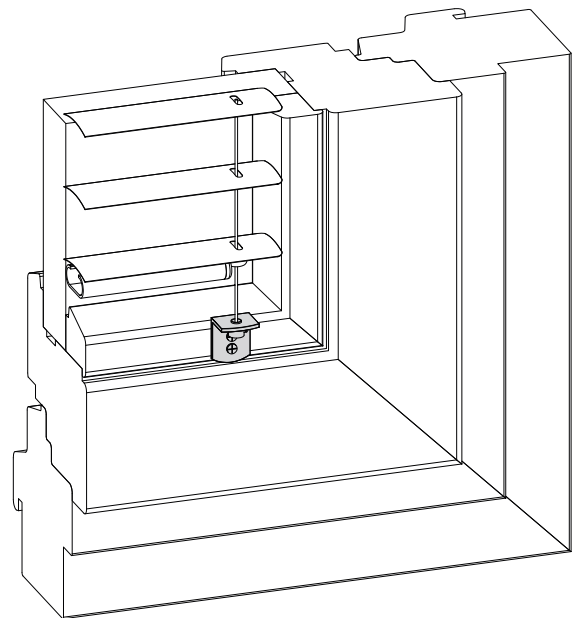
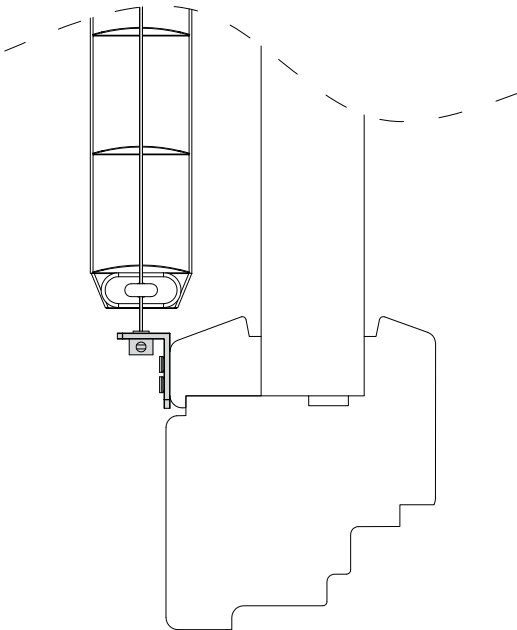
D-K



D-KR

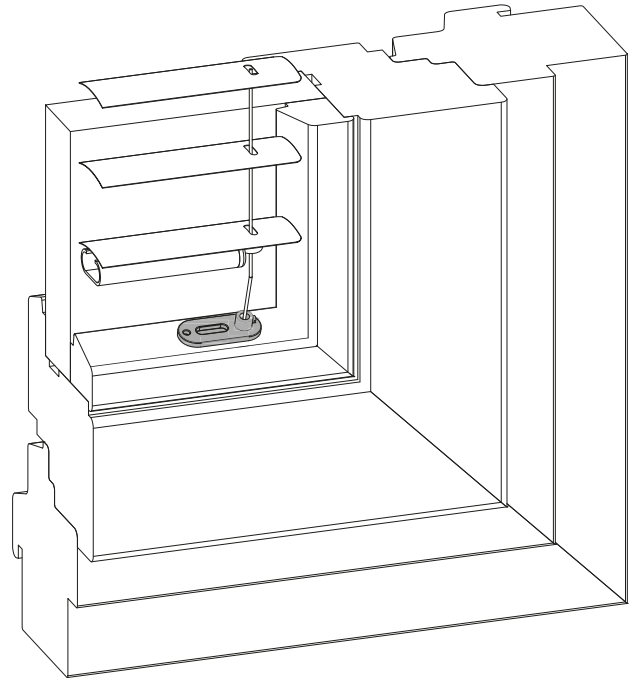
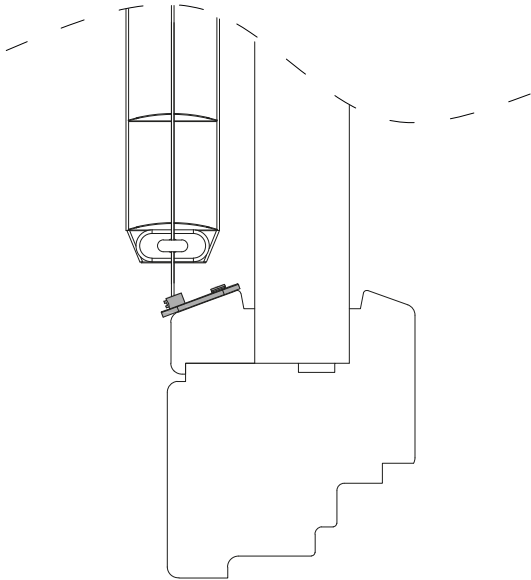


D-KS

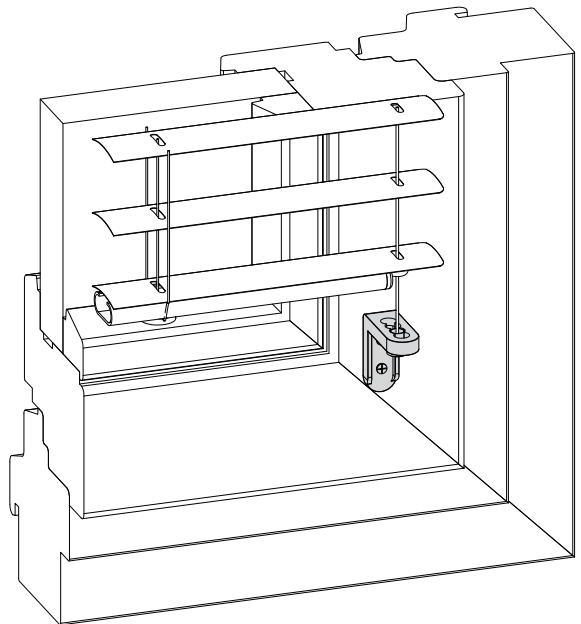
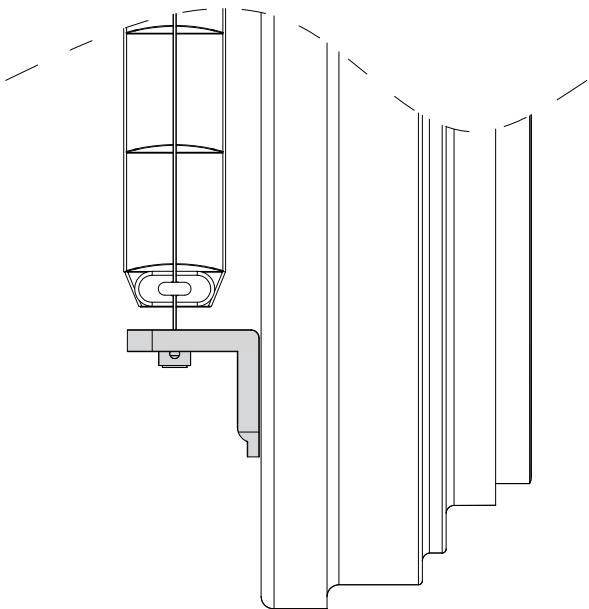


BOTTOM HOLDERS

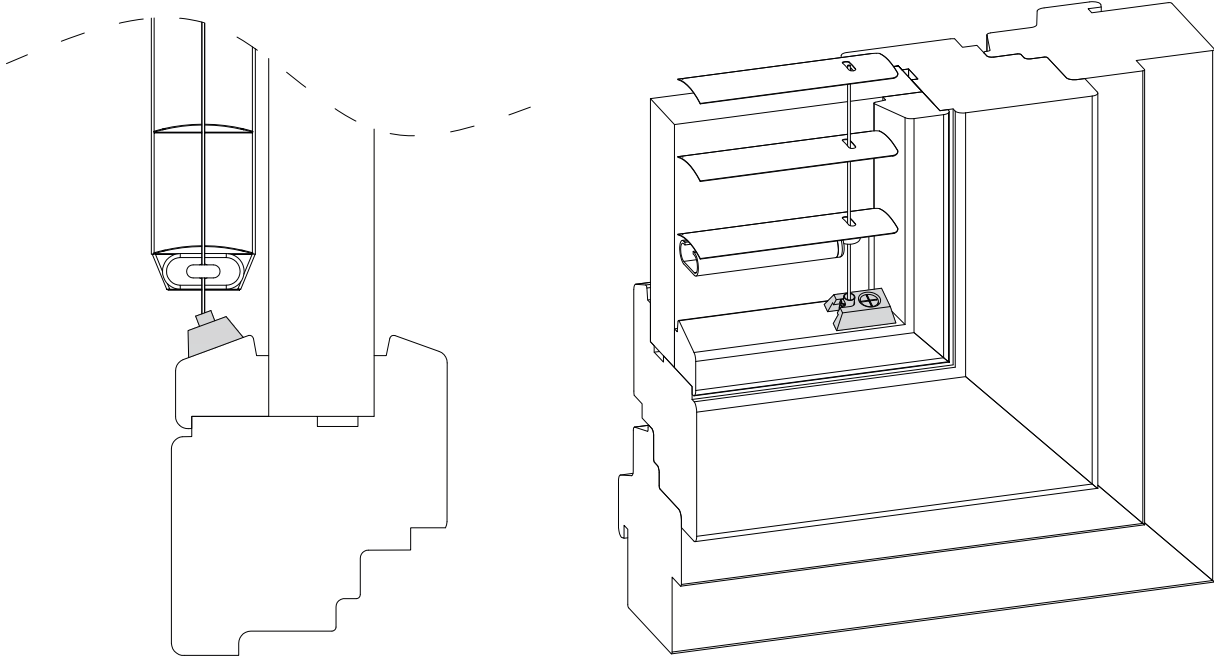
D-STR



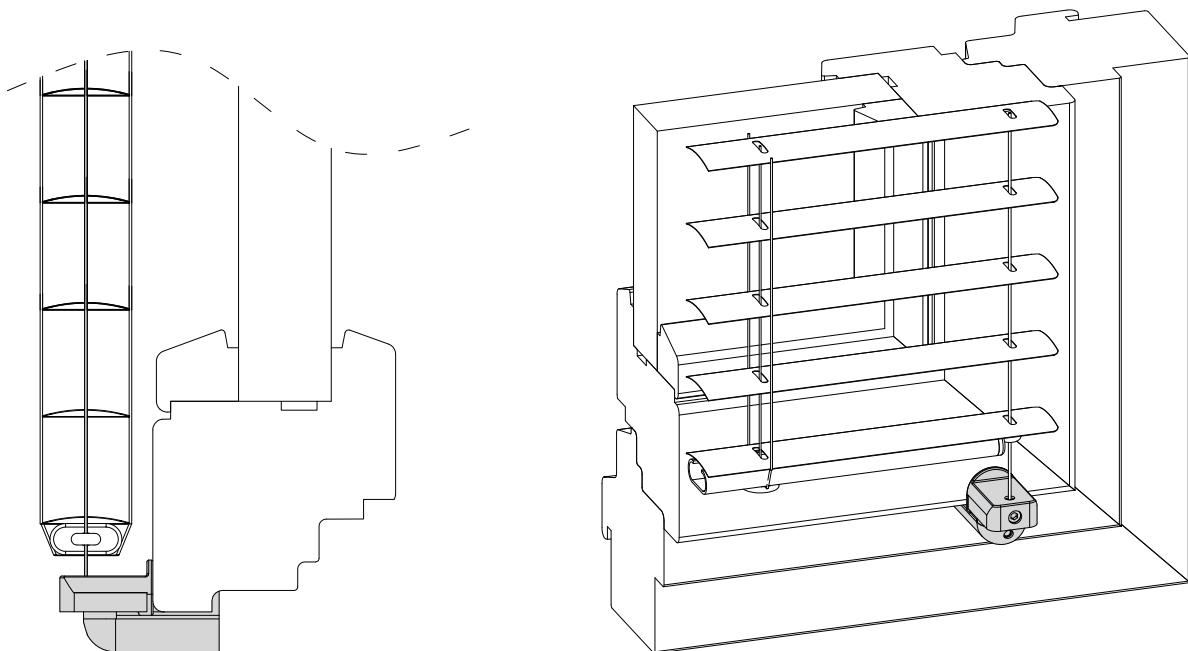
D-KPCV



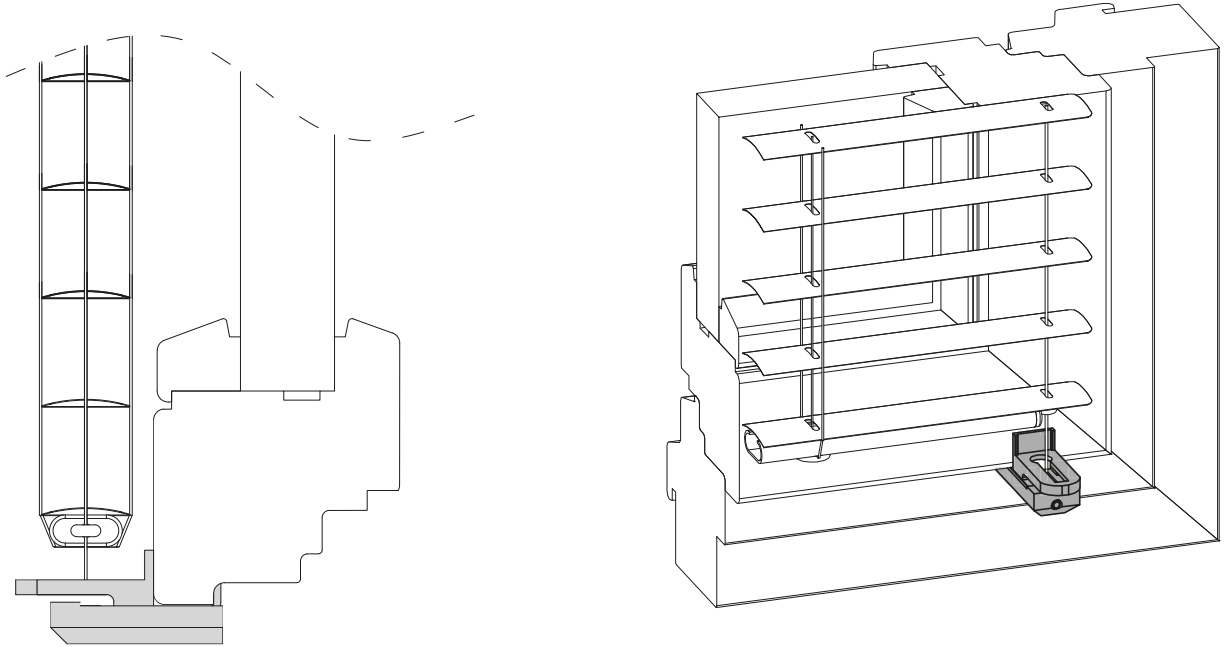
D-KP



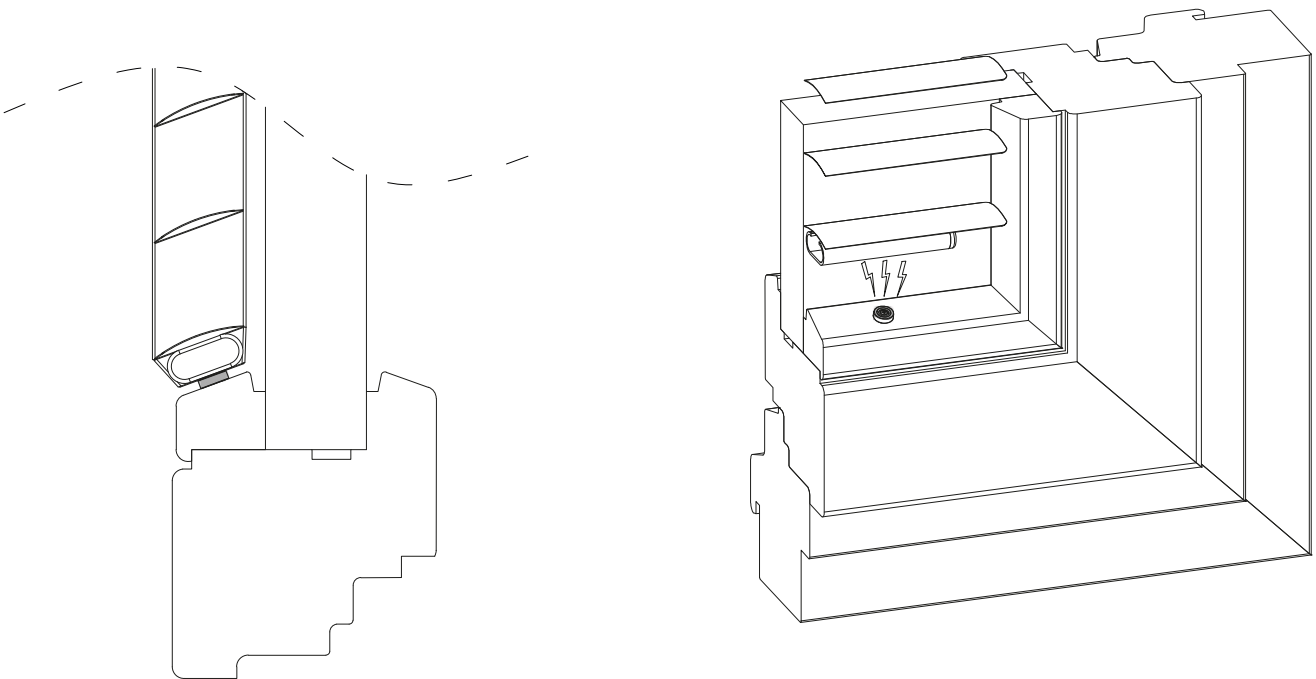
D-BI



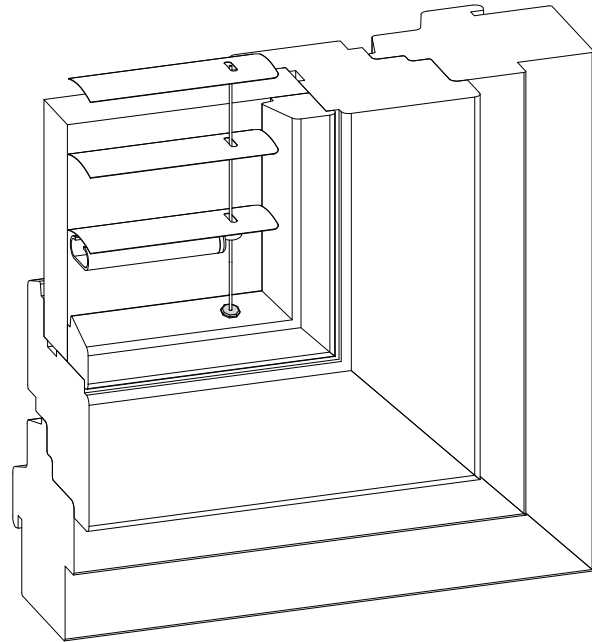
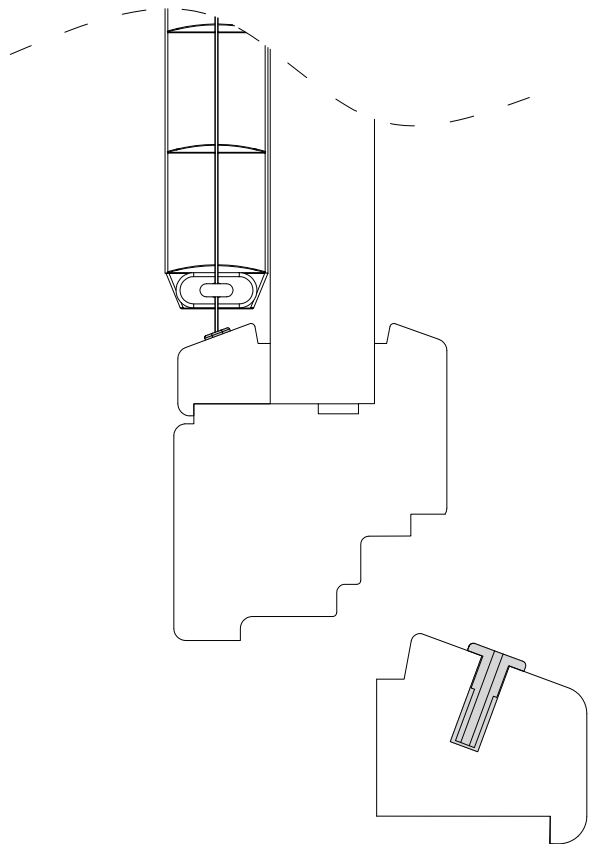
D-BI35



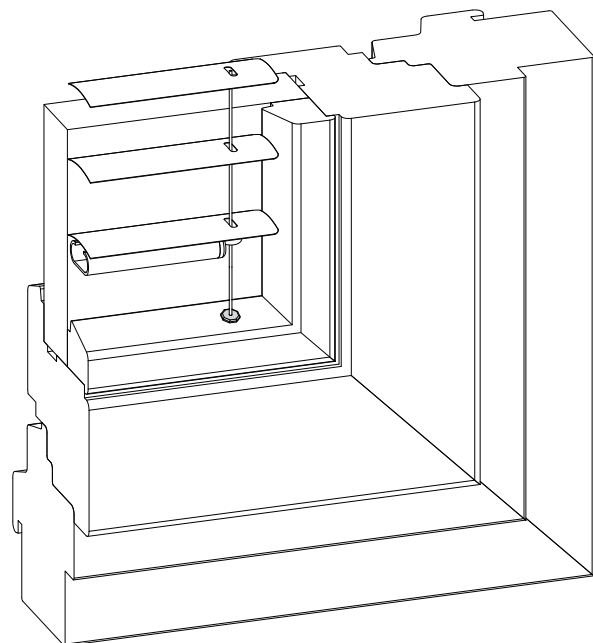
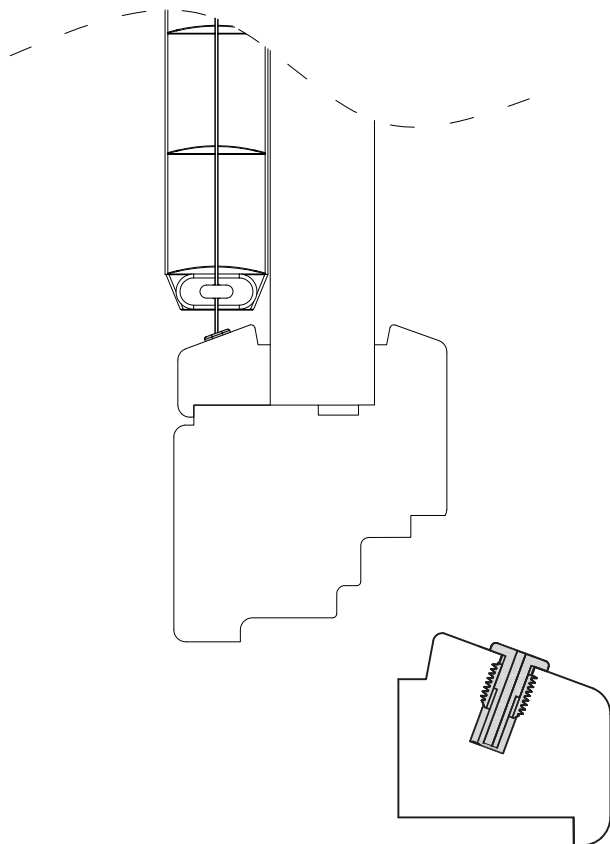
D-MG



D-GP



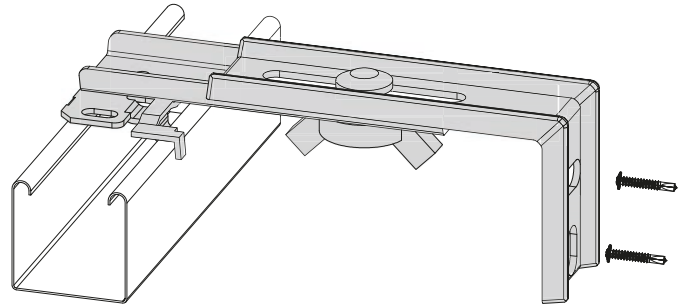
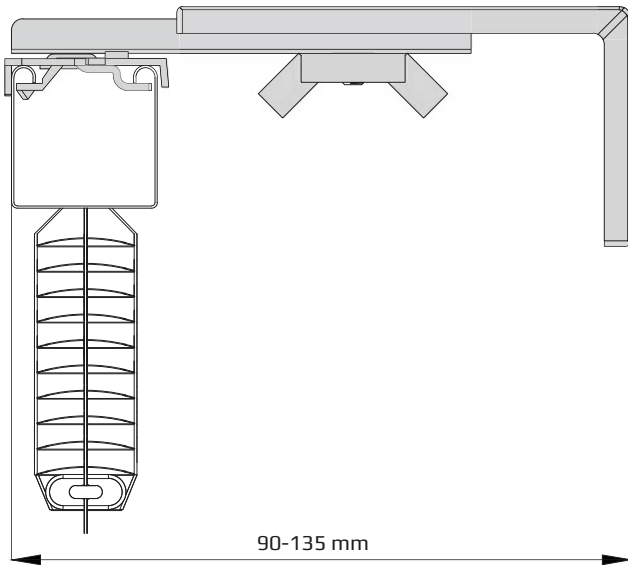
D-GD



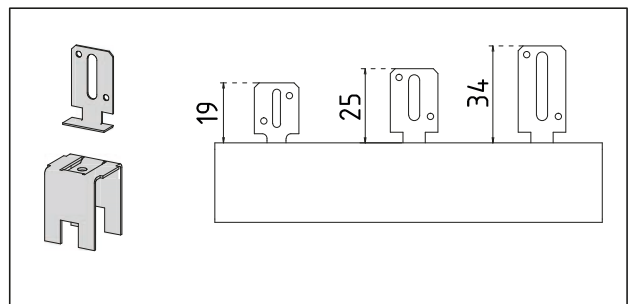
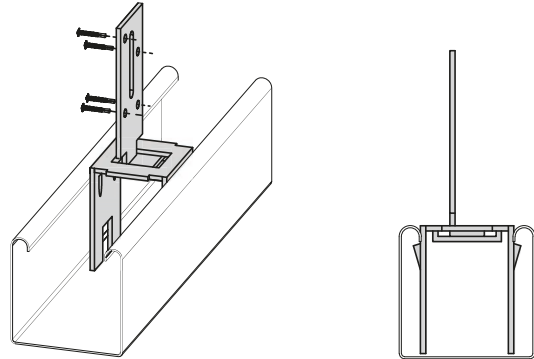
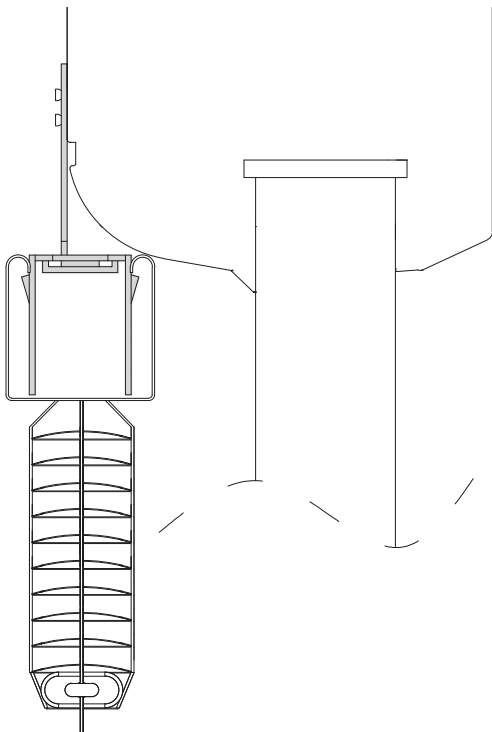
for wooden windows

MOUNTING BRACKETS

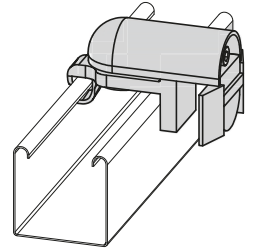
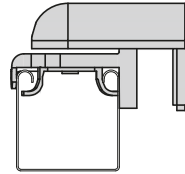
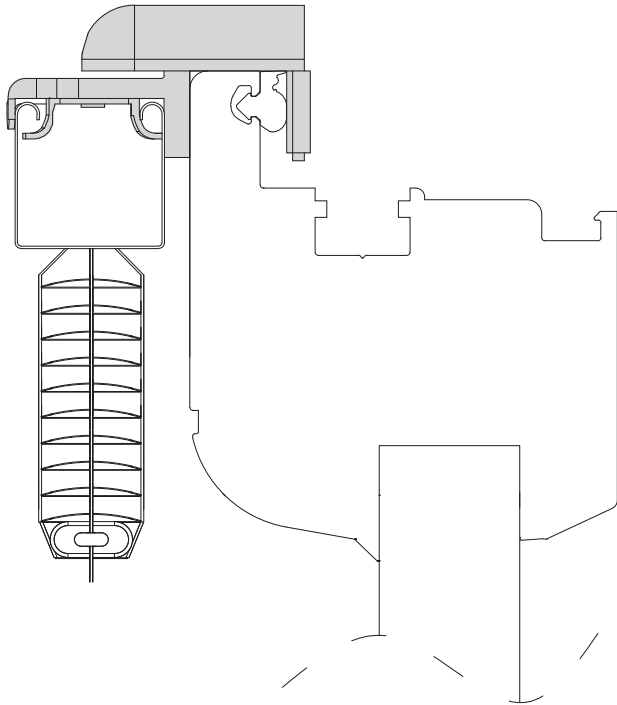
G-WS25



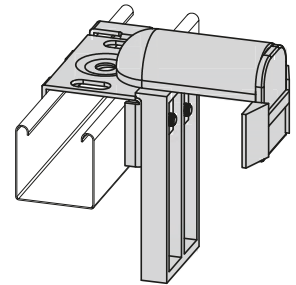
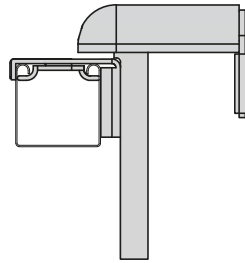
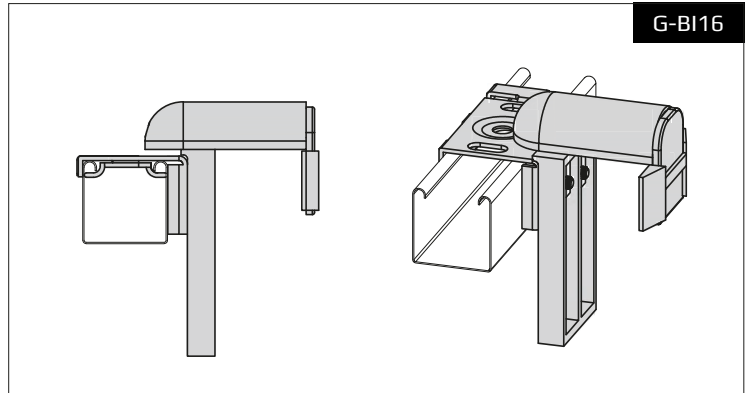
G-WM25



G-BI25/G-BI35

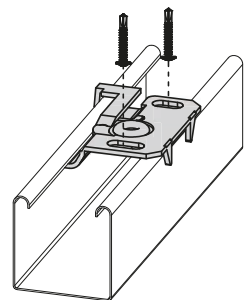
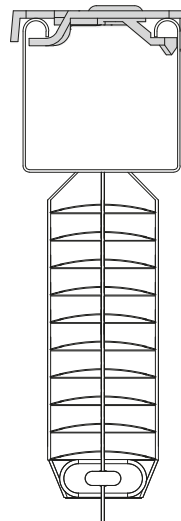
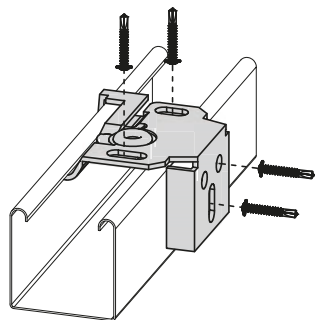
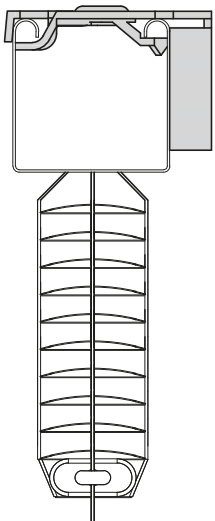


G-BI16



G-TU16/G-TU25/G-TU35/G-TU50

G-TS16/G-TS25



VENETIAN BLIND DIMENSION RANGE

SYSTEM	SLAT	max. width (mm)	max. Height (mm)	min. width (mm)	
STANDARD I	aluminum	25 mm	3000	3700	200
		16 mm	1800	2500	200
		35 mm	3000	3700	200
STANDARD II	aluminum	25 mm	3000	3700	200
		16 mm	1800	2500	200
		35 mm	3000	3700	200
STANDARD III	aluminum	25 mm	3000	3700	240
		16 mm	1800	2500	240
		35 mm	3000	3700	240
STANDARD IV - operator and cord's blockade on the same side	aluminum	25 mm	3000	3700	230
		16 mm	1800	2500	230
		35 mm	3000	3700	230
STANDARD IV - operator and cord's blockade on opposite sides	aluminum	25 mm	3000	3700	200
		16 mm	1800	2500	200
		35 mm	3000	3700	200
STANDARD IV - with motor TILT ONLY	aluminum	25 mm	3000	3700	300
		16 mm	1800	2500	300
		35 mm	3000	3700	300
MINI 16	aluminum	16 mm	1800	2500	250
MONOMAGIC	aluminum	25 mm	3000	3700	250
		16 mm	1800	2500	250
		35 mm	3000	3700	250
MONOTEX	aluminum	25 mm	3000	2200	250
		16 mm	1800	2200	250
		35 mm	3000	2200	250
MONOCORD - height of the blind up to 2100 mm	aluminum	25 mm	3000	2100	250
		16 mm	1800	2100	250
		35 mm	3000	2100	250
MONOCORD - height of the blind up to 3000 mm	aluminum	25 mm	3000	3000	250
		16 mm	1800	2500	250
		35 mm	3000	3000	250
MONOCORD - with motor SOMFY LW	aluminum	25 mm	3000	3000	600
		16 mm	1800	2500	600
		35 mm	3000	3000	600
MONOCRANK - height of the blind up to 2100 mm	aluminum	25 mm	3000	2100	350
		16 mm	1800	2100	350
		35 mm	3000	3000	350
MONOCRANK - height of the blind up to 3000 mm	aluminum	25 mm	3000	3000	350
		16 mm	1800	2500	350
		35 mm	3000	3000	350
VENUS - without brake	aluminum	25 mm	2500	2200	190
		16 mm	1800	2200	190
VENUS - with brake	aluminum	25 mm	2500	2200	240
		16 mm	1800	2200	240
VENUS STANDARD	aluminum	25 mm	2500	3700	240
		16 mm	1800	2500	240
FRONTON - operator and cord's blockade on the same side	aluminum	50 mm	3600	3850	300
		35 mm	3600	3850	300
FRONTON - tilt operator and cord's blockade on opposite sides	aluminum	50 mm	3600	3850	300
		35 mm	3600	3850	300
FRONTON CHAIN	aluminum	50 mm	3950	3000	435
		35 mm	3950	3000	435
FRONTON electric - motor SOMFY SONESSE 40 wire	aluminum	50 mm	3950	3850	560
		35 mm	3950	3850	560
FRONTON electric - motor SOMFY SONESSE 40 RTS (radio)	aluminum	50 mm	3950	3850	600
		35 mm	3950	3850	600
FRONTON electric - motor YOODA wire	aluminum	50 mm	3950	3850	510
		35 mm	3950	3850	510
FRONTON electric - motor YOODA radio	aluminum	50 mm	3950	3850	630
		35 mm	3950	3850	630
FRONTON electric - motor SOMFY Altus RTS (radio)	aluminum	50 mm	3950	3850	550
		35 mm	3950	3850	550
WOOD CLASSIC 25	basswood	25 mm	2700	3700	240
WOOD NEW DESING 25	basswood	25 mm	2500	3700	240
WOOD VENUS 25	basswood	25 mm	2400	2200	240
WOOD CLASSIC 50	basswood	50 mm	2700	3850	300
WOOD CLASSIC 50 electric - motor SOMFY SONESSE 40 wire	basswood	50 mm	2700	3850	560
WOOD CLASSIC 50 electric - motor SOMFY SONESSE 40 RTS (radio)	basswood	50 mm	2700	3850	600
WOOD CLASSIC 50 electric - motor YOODA wire	basswood	50 mm	2700	3850	510
WOOD CLASSIC 50 electric - motor SOMFY Altus RTS (radio)	basswood	50 mm	2700	3850	550
BAMBUS CLASSIC 25	bamboo	25 mm	2400	3700	240
BAMBUS NEW DESING 25	bamboo	25 mm	2400	3700	240
BAMBUS VENUS 25	bamboo	25 mm	2400	2200	240
BAMBUS CLASSIC 50	bamboo	50 mm	2400	3850	300
BAMBUS CLASSIC 50 electric - motor SOMFY SONESSE 40 wire	bamboo	50 mm	2400	3850	560
BAMBUS CLASSIC 50 electric - motor SOMFY SONESSE 40 RTS (radio)	bamboo	50 mm	2400	3850	600
BAMBUS CLASSIC 50 electric - motor YOODA wire	bamboo	50 mm	2400	3850	510
BAMBUS CLASSIC 50 electric - motor SOMFY Altus RTS (radio)	bamboo	50 mm	2400	3850	550

ALUMINUM BLINDS PACKAGES HEIGHT

Height of the blind (mm)	Package height (mm)					
	MINI 16 mm (HEAD RAIL 20x19 mm)	STANDRAD IV 16 mm (HEAD RAIL 25x25 mm)	STANDRAD IV 25 mm	STANDRAD IV 25 mm ONLINE	FRONTON 50 mm LADDER CORD	FRONTON 50 mm LADDER TAPE
500	55	60	50	55	90	95
600	55	65	50	55	95	100
700	60	65	55	60	100	100
800	65	70	55	60	105	105
900	65	70	55	65	110	110
1000	70	75	60	65	110	115
1100	75	80	60	70	115	120
1200	75	80	60	70	120	120
1300	80	85	65	75	125	125
1400	80	85	65	75	130	130
1500	85	90	70	80	130	135
1600	85	95	70	80	135	140
1700	90	100	70	80	140	140
1800	90	100	70	85	145	145
1900	90	105	75	85	150	150
2000	95	105	75	85	150	155
2100	100	110	80	90	155	160
2200	100	115	80	90	160	106
2300	105	115	85	95	165	165
2400	105	120	85	95	170	170
2500	110	125	90	95	170	175
2600	115	125	90	100	175	180
2700	115	130	90	100	180	180
2800	115	130	95	105	185	185
2900	120	135	100	105	190	190
3000	125	135	100	110	190	195
3100	125	140	105	110	195	200
3200	130	140	105	115	200	200
3300	135	145	110	115	205	205
3400	135	150	110	120	210	210
3500	140	150	115	120	210	215

WOODEN BLINDS PACKAGES HEIGHT

Height of the blind (mm)	Package height (mm)					
	WOOD CLASSIC 25 mm. LADDER CORD (BASSWOOD)	WOOD CLASSIC 25 mm. LADDER CORD (BAMBUS)	WOOD CLASSIC 50 mm. LADDER CORD (BASSWOOD)	WOOD CLASSIC 50 mm. LADDER TAPE (BASSWOOD)	WOOD CLASSIC 50 mm. LADDER CORD (BAMBUS)	WOOD CLASSIC 50 mm. LADDER TAPE (BAMBUS)
500	135	120	140	140	105	120
600	145	130	145	150	115	130
700	155	140	155	155	120	140
800	165	150	160	165	125	145
900	175	160	165	175	130	150
1000	180	170	175	185	135	160
1100	195	180	180	190	140	165
1200	205	190	190	200	145	170
1300	215	200	200	210	150	180
1400	225	210	205	215	160	185
1500	235	220	210	225	165	195
1600	245	230	220	235	170	200
1700	255	240	225	245	175	210
1800	265	250	230	255	185	215
1900	275	260	240	260	190	220
2000	285	270	250	265	195	225
2100	295	280	255	275	200	235
2200	305	290	265	280	210	240
2300	315	300	270	285	215	245
2400	325	310	275	290	220	250
2500	335	320	285	305	225	255
2600	345	330	290	310	235	260
2700	355	340	300	320	240	270
2800	365	350	300	330	245	274
2900	375	360	315	340	250	280
3000	385	370	320	345	260	290
3100	395	380	330	350	265	295
3200	408	390	335	360	270	305
3300	418	400	340	365	275	315
3400	427	410	350	370	285	335
3500	440	420	355	380	290	340

COLORS OF VENETIAN BLINDS COMPONENTS

ALUMINUM SLAT 16 mm

SLAT	HEAD RAIL 25x25 mm	HEAD RAIL VENUS	TEXTILES	CHAIN	LIFTING BAND
3	115	115	3	BROWN / RAL 8017	BROWN / RAL 8017
115	115	115	115	BROWN / RAL 8017	BROWN / RAL 8017
158	4417	4417	4417	GREY / RAL 7040	GREY / RAL 7040
191	191	900	210	BEIGE / RAL 1001	BEIGE / RAL 1001
210	191	900	210	BEIGE / RAL 1001	BEIGE / RAL 1001
211	4417	4417	4417	GREY / RAL 7040	GREY / RAL 7040
270	2083	900	2083	BEIGE / RAL 1001	BEIGE / RAL 1001
350	2083	900	2083	BEIGE / RAL 1001	BEIGE / RAL 1001
423	4417	4417	4417	GREY / RAL 7040	GREY / RAL 7040
511	4417	4417	4417	GREY / RAL 7040	GREY / RAL 7040
576	4417	4417	4417	GREY / RAL 7040	GREY / RAL 7040
673	115	115	115	BROWN / RAL 8017	BROWN / RAL 8017
797	900	900	900	WHITE / RAL 9016	WHITE / RAL 9016
900	900	900	900	WHITE / RAL 9016	WHITE / RAL 9016
1073	115	115	115	BROWN / RAL 8017	BROWN / RAL 8017
2005	2083	900	2083	BEIGE / RAL 1001	BEIGE / RAL 1001
2083	2083	900	2083	BEIGE / RAL 1001	BEIGE / RAL 1001
4417	4417	4417	4417	GREY / RAL 7040	GREY / RAL 7040
0900 PER	900	900	900	WHITE / RAL 9016	WHITE / RAL 9016
7010 PER	4417	4417	4417	GREY / RAL 7040	GREY / RAL 7040

ALUMINUM SLAT 35 mm

SLAT	HEAD RAIL 57 x 51 mm / 25 x 25mm	TEXTILES	CHAIN	LIFTING BAND (25mm)
1	1	1	WHITE / RAL 9016	WHITE / RAL 9016
10	12	17	GREY / RAL 7040	GREY / RAL 7040
11	11	714	BEIGE / RAL 1001	BEIGE / RAL 1001
12	17	17	GREY / RAL 7040	GREY / RAL 7040
17	17	17	GREY / RAL 7040	GREY / RAL 7040
49	49	49	BLACK / 9017	BLACK / 9017
58	17	17	GREY / RAL 7040	GREY / RAL 7040
61	11	714	BEIGE / RAL 1001	BEIGE / RAL 1001
65	1	1	WHITE / RAL 9016	WHITE / RAL 9016
83	285	285	WHITE / RAL 9016	WHITE / RAL 9016
285	285	285	WHITE / RAL 9016	WHITE / RAL 9016
713	17	17	GREY / RAL 7040	GREY / RAL 7040
714	11	714	BEIGE / RAL 1001	BEIGE / RAL 1001
942	1	1	WHITE / RAL 9016	WHITE / RAL 9016
950	17	17	GREY / RAL 7040	GREY / RAL 7040
9800	1	1	WHITE / RAL 9016	WHITE / RAL 9016

ALUMINUM SLAT 25 mm

SLAT	HEAD RAIL 25x25mm	HEAD RAIL (VENUS)	TEXTILES	CHAIN	LIFTING BAND (25mm)
3	3	900	3	BROWN / RAL 8017	BROWN / RAL 8017
5	195	900	5	GREY / RAL 7040	GREY / RAL 7040
43	43	900	43	BEIGE / RAL 1001	BEIGE / RAL 1001
58	168	168	4417	GREY / RAL 7040	GREY / RAL 7040
106	2083	900	106	WHITE / RAL 9016	WHITE / RAL 9016
115	115	115	115	BROWN / RAL 8017	BROWN / RAL 8017
117	115	115	115	BROWN / RAL 8017	BROWN / RAL 8017
154	154	900	3	BROWN / RAL 8017	BROWN / RAL 8017
158	511	900	4417	GREY / RAL 7040	GREY / RAL 7040
159	159	900	4417	GREY / RAL 7040	GREY / RAL 7040
164	164	900	164	BLACK / RAL 9017	BLACK / RAL 9017
165	164	900	164	BLACK / RAL 9017	BLACK / RAL 9017
167	168	168	4417	GREY / RAL 7040	GREY / RAL 7040
168	168	168	4417	GREY / RAL 7040	GREY / RAL 7040
169	168	168	4417	GREY / RAL 7040	GREY / RAL 7040
172	172	900	172	GREY / RAL 7040	GREY / RAL 7040
179	179	900	2016	BEIGE / RAL 1001	BEIGE / RAL 1001
186	186	900	2016	BEIGE / RAL 1001	BEIGE / RAL 1001
187	187	900	187	GREY / RAL 7040	GREY / RAL 7040
194	194	900	43	BEIGE / RAL 1001	BEIGE / RAL 1001
195	195	900	5	GREY / RAL 7040	GREY / RAL 7040
199	199	900	210	BEIGE / RAL 1001	BEIGE / RAL 1001
205	205	900	205	GREY / RAL 7040	GREY / RAL 7040
210	210	900	210	BEIGE / RAL 1001	BEIGE / RAL 1001
211	211	168	211	GREY / RAL 7040	GREY / RAL 7040
212	212	900	3	BROWN / RAL 8017	BROWN / RAL 8017
279	2083	900	2083	BEIGE / RAL 1001	BEIGE / RAL 1001
281	281	900	281	BLACK / RAL 9017	BLACK / RAL 9017
423	168	168	4417	GREY / RAL 7040	GREY / RAL 7040
475	475	900	475	GREY / RAL 7040	GREY / RAL 7040
490	490	900	490	GREY / RAL 7040	GREY / RAL 7040
491	491	900	517	GREY / RAL 7040	GREY / RAL 7040
509	509	900	509	GREY / RAL 7040	GREY / RAL 7040
511	511	900	4417	GREY / RAL 7040	GREY / RAL 7040
517	517	900	5187	GREY / RAL 7040	GREY / RAL 7040
518	518	900	43	BEIGE / RAL 1001	BEIGE / RAL 1001
522	522	900	2083	BEIGE / RAL 1001	BEIGE / RAL 1001
531	168	168	4417	GREY / RAL 7040	GREY / RAL 7040
538	2083	900	106	WHITE / RAL 9016	WHITE / RAL 9016
541	541	900	541	BEIGE / RAL 1001	BEIGE / RAL 1001
671	671	900	671	BEIGE / RAL 1001	BEIGE / RAL 1001
700	210	900	210	BEIGE / RAL 1001	BEIGE / RAL 1001
705	705	900	705	GREY / RAL 7040	GREY / RAL 7040
712	115	115	115	BROWN / RAL 8017	BROWN / RAL 8017
716	115	115	115	BROWN / RAL 8017	BROWN / RAL 8017
718	996	900	164	BLACK / RAL 9017	BLACK / RAL 9017
738	168	168	4417	GREY / RAL 7040	GREY / RAL 7040
760	760	900	281	GREY / RAL 7040	GREY / RAL 7040
776	776	900	517	GREY / RAL 7040	GREY / RAL 7040
900	900	900	900	WHITE / RAL 9016	WHITE / RAL 9016
996	996	900	164	BLACK / RAL 9017	BLACK / RAL 9017
1235	281	900	281	GREY / RAL 7040	GREY / RAL 7040
1510	159	900	281	GREY / RAL 7040	GREY / RAL 7040
1595	281	900	281	BLACK / RAL 9017	BLACK / RAL 9017
1926	1926	900	1926	BEIGE / RAL 1001	BEIGE / RAL 1001
2000	900	900	900	WHITE / RAL 9016	WHITE / RAL 9016
2004	900	900	900	WHITE / RAL 9016	WHITE / RAL 9016

SLAT	HEAD RAIL 25x25mm	HEAD RAIL (VENUS)	TEXTILES	CHAIN	LIFTING BAND (25mm)
2005	2005	900	2083	BEIGE / RAL 1001	BEIGE / RAL 1001
2007	2007	900	2007	GREY / RAL 7040	GREY / RAL 7040
2016	179	900	2016	BEIGE / RAL 1001	BEIGE / RAL 1001
2017	2017	115	115	BROWN / RAL 8017	BROWN / RAL 8017
2083	2083	900	2083	BEIGE / RAL 1001	BEIGE / RAL 1001
2956	2083	900	2083	BEIGE / RAL 1001	BEIGE / RAL 1001
3550	3550	900	3550	GREY / RAL 7040	GREY / RAL 7040
4417	168	168	4417	GREY / RAL 7040	GREY / RAL 7040
5058	5058	900	5058	GREY / RAL 7040	GREY / RAL 7040
6603	6603	900	6603	GREY / RAL 7040	GREY / RAL 7040
7004	7004	900	4417	GREY / RAL 7040	GREY / RAL 7040
7016	281	900	164	BLACK / RAL 9017	BLACK / RAL 9017
7037	159	900	281	GREY / RAL 7040	GREY / RAL 7040
7038	511	900	4417	GREY / RAL 7040	GREY / RAL 7040
7042	7004	900	4417	GREY / RAL 7040	GREY / RAL 7040
7043	281	900	164	BLACK / RAL 9017	BLACK / RAL 9017
7044	511	900	4417	GREY / RAL 7040	GREY / RAL 7040
7129	164	900	164	BLACK / RAL 9017	BLACK / RAL 9017
7162	7162	900	7162	GREY / RAL 7040	GREY / RAL 7040
7325	99192	900	210	BEIGE / RAL 1001	BEIGE / RAL 1001
7326	900	900	900	WHITE / RAL 9016	WHITE / RAL 9016
7328	168	168	4417	GREY / RAL 7040	GREY / RAL 7040
7344	168	168	4417	GREY / RAL 7040	GREY / RAL 7040
7355	900	900	3550	WHITE / RAL 9016	WHITE / RAL 9016
7380	2017	900	115	BROWN / RAL 8017	BROWN / RAL 8017
7381	199	900	115	BROWN / RAL 8017	BROWN / RAL 8017
7382	99192	900	210	BEIGE / RAL 1001	BEIGE / RAL 1001
8012	511	900	4417	GREY / RAL 7040	GREY / RAL 7040
8222	164	900	164	BLACK / RAL 9017	BLACK / RAL 9017
8224	7004	900	4417	GREY / RAL 7040	GREY / RAL 7040
8225	187	900	187	GREY / RAL 7040	GREY / RAL 7040
9006	168	168	4417	GREY / RAL 7040	GREY / RAL 7040
9007	996	900	281	GREY / RAL 7040	GREY / RAL 7040
9770	211	168	4417	GREY / RAL 7040	GREY / RAL 7040
9771	164	900	164	BLACK / RAL 9017	BLACK / RAL 9017
99192	99192	900	210	BEIGE / RAL 1001	BEIGE / RAL 1001
772081	772081	RAL 1001	210	BEIGE / RAL 1001	BEIGE / RAL 1001
772082	772082	772082	210	BROWN / RAL 8017	BROWN / RAL 8017
772083	772083	RAL 1001	3	BROWN / RAL 8017	BROWN / RAL 8017
772084	772084	772084	3	BROWN / RAL 8017	BROWN / RAL 8017
772085	772085	772085	3	BROWN / RAL 8017	BROWN / RAL 8017
772093	772093	RAL 1001	2016	BROWN / RAL 8017	BROWN / RAL 8017
772095	772095	772095	3	BROWN / RAL 8017	BROWN / RAL 8017
772098	772098	115	115	BROWN / RAL 8017	BROWN / RAL 8017
1858 PER	164	900	164	BLACK / RAL 9017	BLACK / RAL 9017
4459 PER	2083	900	2083	BEIGE / RAL 1001	BEIGE / RAL 1001
61 PER	2005	900	2083	BEIGE / RAL 1001	BEIGE / RAL 1001
7010 PER	168	168	4417	GREY / RAL 7040	GREY / RAL 7040
900 PER	900	900	900	WHITE / RAL 9016	WHITE / RAL 9016

ALUMINUM SLAT 50 mm

SLAT	HEAD RAIL	TEXTILES	CHAIN
5001	5001	009	WHITE / RAL 9016
5002	5002	106	WHITE / RAL 9016
5003	5002	106	WHITE / RAL 9016
5004	5004	113	BEIGE / RAL 1001
5005	5005	125	BROWN / RAL 8017
5006	5006	128	GREY / RAL 7040
5007	5007	128	GREY / RAL 7040
5009	5009	128	GREY / RAL 7040
5010	5010	202	GREY / RAL 7040
5011	5011	402	BLACK / 9017
5013	5013	145	BLACK / 9017
5020	5001	009	WHITE / RAL 9016
5101	5101	111	BEIGE / RAL 1001
5102	5102	119	BROWN / RAL 8017
5103	5103	402	BLACK / 9017
5105	5105	135	BROWN / RAL 8017
5108	5108	145	BLACK / 9017
5201	5001	009	WHITE / RAL 9016
5202	5007	128	GREY / RAL 7040
5203	5007	128	GREY / RAL 7040
5204	5009	402	GREY / RAL 7040
5205	5011	402	BLACK / 9017
5206	5013	145	BLACK / 9017
5208	5013	145	BLACK / 9017
5209	5013	145	BLACK / 9017
5302	RAL 8003	117	BROWN / RAL 8017
5303	RAL 8003	138	BROWN / RAL 8017
5304	RAL 8003	139	BROWN / RAL 8017
5501	5001	009	WHITE / RAL 9016
5502	5002	106	WHITE / RAL 9016
5507	5007	128	GREY / RAL 7040
5512	5013	145	BLACK / 9017
5601	5101	111	BEIGE / RAL 1001
5602	5102	119	BROWN / RAL 8017
5603	5103	402	BLACK / 9017
5605	5105	135	BROWN / RAL 8017
5608	5108	145	BLACK / 9017

WOOD SLAT 25 mm

SLAT	BEZEL	HEAD RAIL (ALU)	FABRICS
BAMBOO	BAMBOO	2083	109
GRAHAM	GRAHAM	115	117
GINGER	GINGER	2083	106
LICORICE	LICORICE	164	145
ANISE	ANISE	115	135
KAKAO	KAKAO	115	135
SAFFRON	SAFFRON	115	119
TRUFFLE	TRUFFLE	164	135
CURRY	CURRY	115	117
TUMERIC	TUMERIC	115	113
HALVAH	HALVAH	2083	113
COCONUT	COCONUT	900	009
POPPY SEED	POPPY SEED	168	160C
FLAX	FLAX	511	141
BLACK SEED	BLACK SEED	281	402
HEMP	HEMP	996	135
TOFU	TOFU	511	128

WOOD SLAT 50 mm

SLAT	BEZEL	HEAD RAIL (ALU)	FABRICS
BAMBOO	BAMBOO	RAL 1013	109
GINGER	GINGER	RAL 1013	106
GRAHAM	GRAHAM	RAL 8003	117
ANISE	ANISE	RAL 8015	135
BLACK SEED	BLACK SEED	RAL 7016	402
CHOCOLATE	CHOCOLATE	RAL 8019	150
COCONUT	COCONUT	RAL 9016	009
CURRY	CURRY	RAL 8003	117
FLAX	FLAX	RAL 1013	141
HALVAH	HALVAH	RAL 1013	113
HEMP	HEMP	RAL 7048	135
KAKAO	KAKAO	RAL 8015	135
LATTE	LATTE	RAL 1015	141
LICORICE	LICORICE	RAL 9017	145
MARZIPAN	MARZIPAN	RAL 015	108
POPPY SEED	POPPY SEED	RAL 7040	160C
SAFFRON	SAFFRON	RAL 8003	119
TOFU	TOFU	RAL 7035	128
TRUFFLE	TRUFFLE	RAL 9017	135
TUMERIC	TUMERIC	RAL 8003	113
CHIA	CHIA	RAL 7040	135
COFFEE	COFFEE	RAL 9017	138
COLIANDER	COLIANDER	RAL 8015	135
PEPPER	PEPPER	RAL 9017	145
SALT	SALT	RAL 9016	009
SAVORY	SAVORY	RAL 1015	141

REMARKS

REMARKS

REMARKS

REMARKS

SIERANT sp. z o.o. Spółka komandytowa

**ul. Kwiatowa 22
97-300 Piotrków Trybunalski
POLAND**

**www.sierant.pl
biuro@sierant.pl**

**tel.: + 48 44 649 97 04
+ 48 44 649 04 53**