

# SIERANI

BLIND SYSTEMS

INSECT SCREENS

**CATALOG**  
**01/2018**







## INSECT SCREENS

**SIERANT**  
BLIND SYSTEMS

**SIERANT sp. z o.o. Spółka komandytowa**  
ul. Kwiatowa 22  
97-300 Piotrków Trybunalski  
POLAND

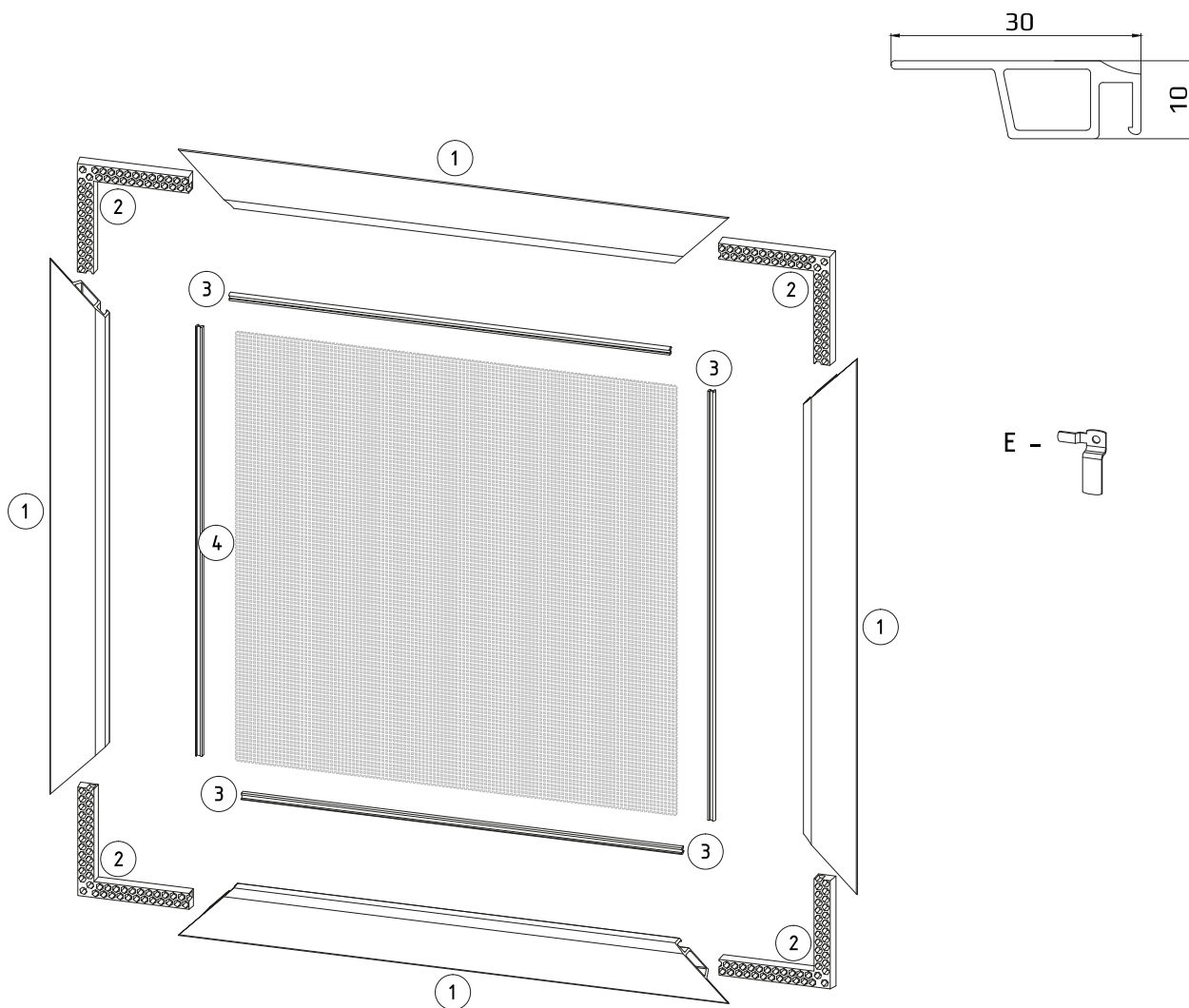
**[www.sierant.pl](http://www.sierant.pl)**  
**[biuro@sierant.pl](mailto:biuro@sierant.pl)**  
**Tel: + 48 44 649 97 04, + 48 44 649 04 53**



|         |                                      |
|---------|--------------------------------------|
| 6 - 9   | FIXED INSECT SCREENS                 |
| 10 - 13 | FIXED INSECT SCREENS MEASURING       |
| 14 - 16 | ROLLER INSECT SCREENS                |
| 17      | SLIDING INSECT SCREENS               |
| 18 - 20 | SWING INSECT SCREENS                 |
| 21 - 22 | SWING INSECT SCREEN DOOR WITH CASING |

## FIXED INSECT SCREENS

### SCREEN WITH FLANGE



#### Component name

|   |  |
|---|--|
| 1 | Extruded main profile for fixed screen with flange |
| 2 | Internal corner for fixed screen with flange       |
| 3 | 4,2 mm seal  |
| 4 | Insect screen mesh                                 |

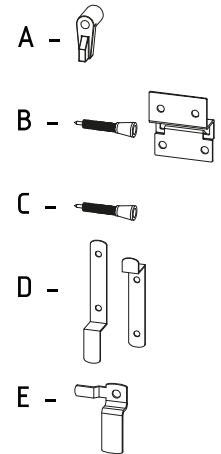
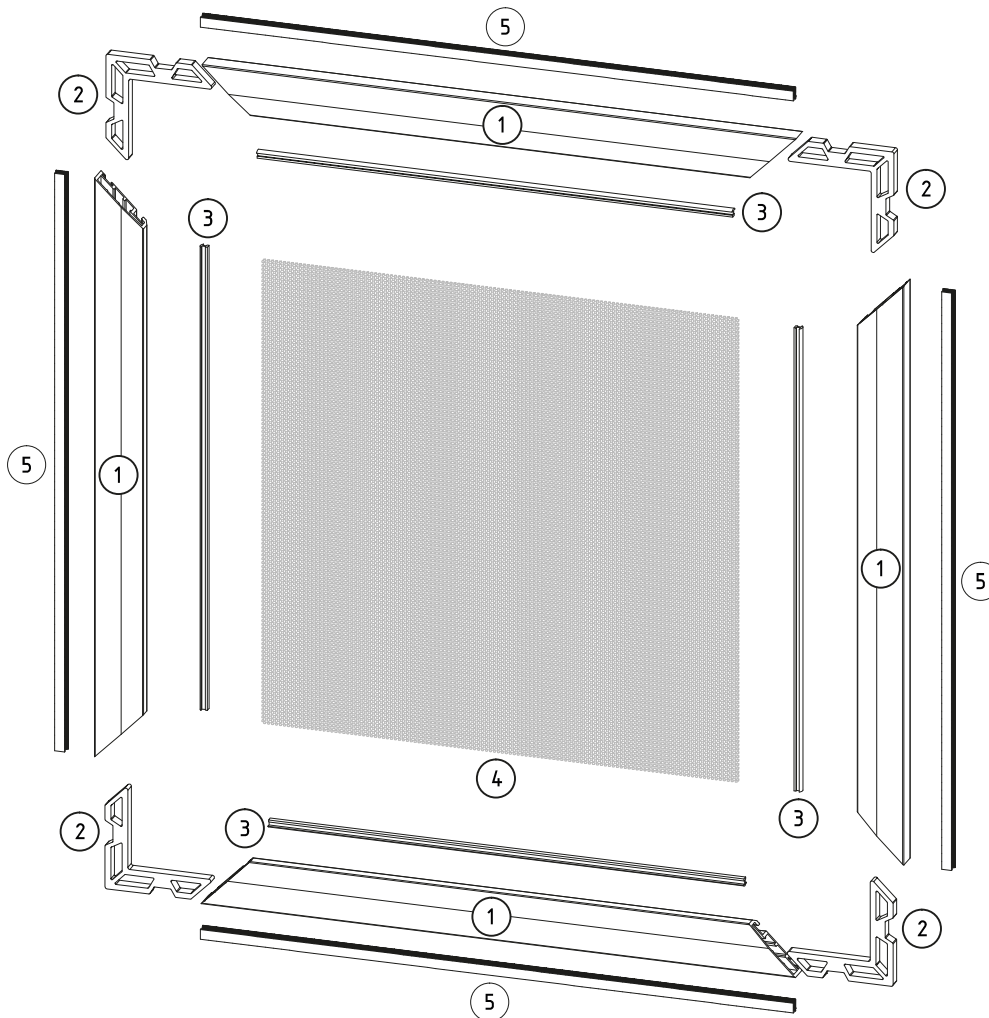
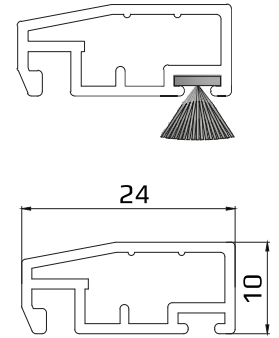
#### Color no

|                 |
|-----------------|
| White           |
| Brown           |
| Anthracite gray |
| Nut             |
| Golden oak      |

#### Types of brackets

|   |                         |
|---|-------------------------|
| E | Flanged profile bracket |
|---|-------------------------|

**FIXED SCREEN 24 x 10 FR**



**Component name**

| Component no | Component name  |
|--------------|---|
| 1            | Fixed screen main profile with brush seal channel PG MRSZ |
| 2            | Fixed screen internal corner for stamping MW/Z MRS        |
| 3            | Fixed screen seal U5/MR                                   |
| 4            | Insect screen mesh  |
| 5            | Brush seal 4,8 x 12 mm /4,8 x 5 mm /4,8 x9 mm             |

**Color no**

**Name**

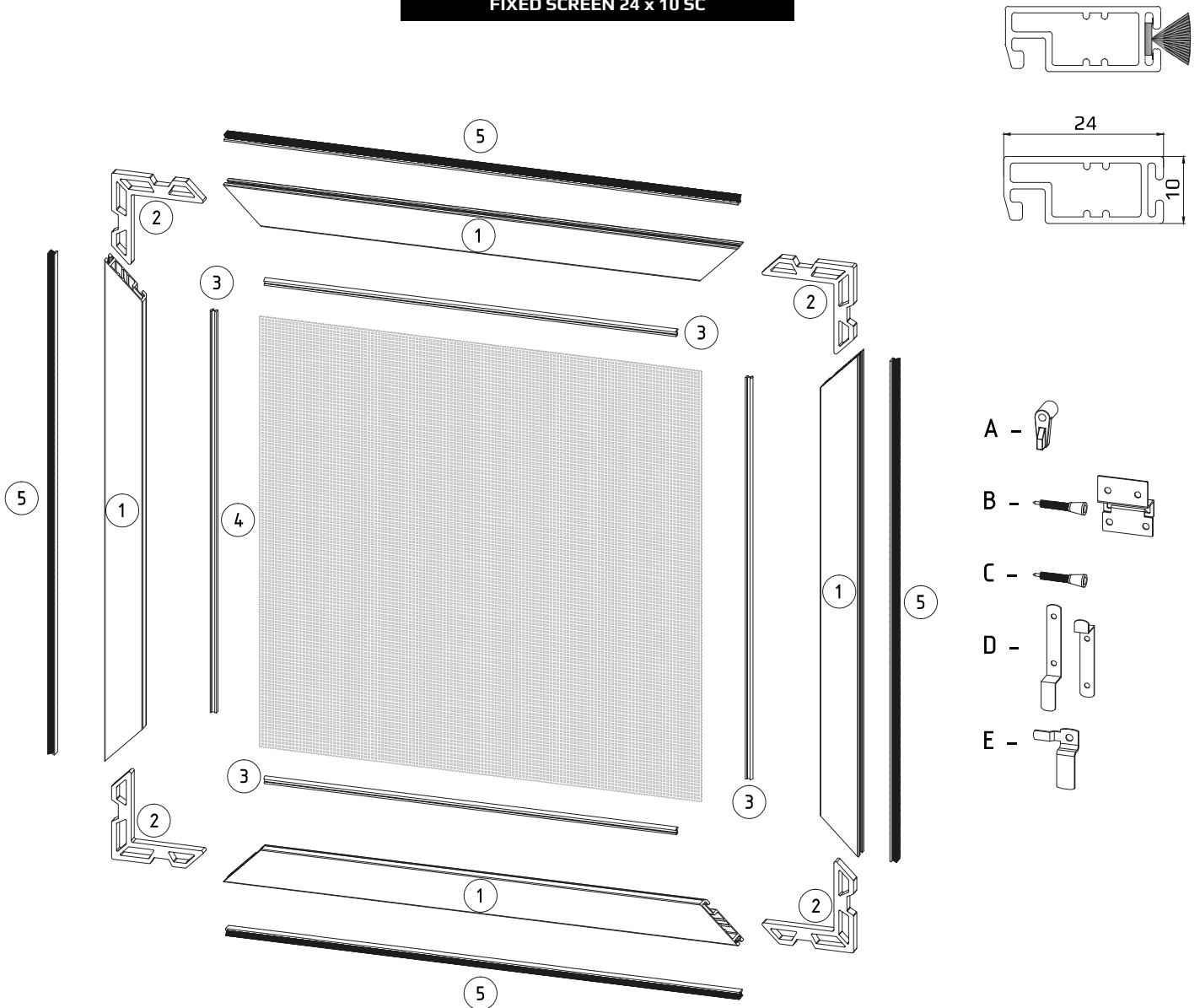
| Color no | Name            |
|----------|-----------------|
| 02       | White           |
| 08       | Brown           |
| 23       | Anthracite gray |
| 28       | Nut             |
| 30       | Golden oak      |

**Types of brackets**

| Bracket type | Name                    |
|--------------|-------------------------|
| A            | Turn button             |
| B            | Type B bracket          |
| C            | Detent                  |
| D            | Hook bracket            |
| E            | Flanged profile bracket |

## FIXED INSECT SCREENS

### FIXED SCREEN 24 x 10 SC



#### Component name

|   |   |
|---|---|
| 1 | Fixed screen main profile with brush seal channel PG MR5Z |
| 2 | Fixed screen internal corner for stamping MW/Z MRS        |
| 3 | Fixed screen seal U5/MR                                   |
| 4 | Insect screen mesh  |
| 5 | Brush seal 4,8 x 12 mm /4,8 x 5 mm /4,8 x9 mm             |

#### Color no

#### Name

|    |                 |
|----|-----------------|
| 02 | White           |
| 08 | Dark brown      |
| 23 | Anthracite gray |
| 28 | Nut             |
| 30 | Golden oak      |

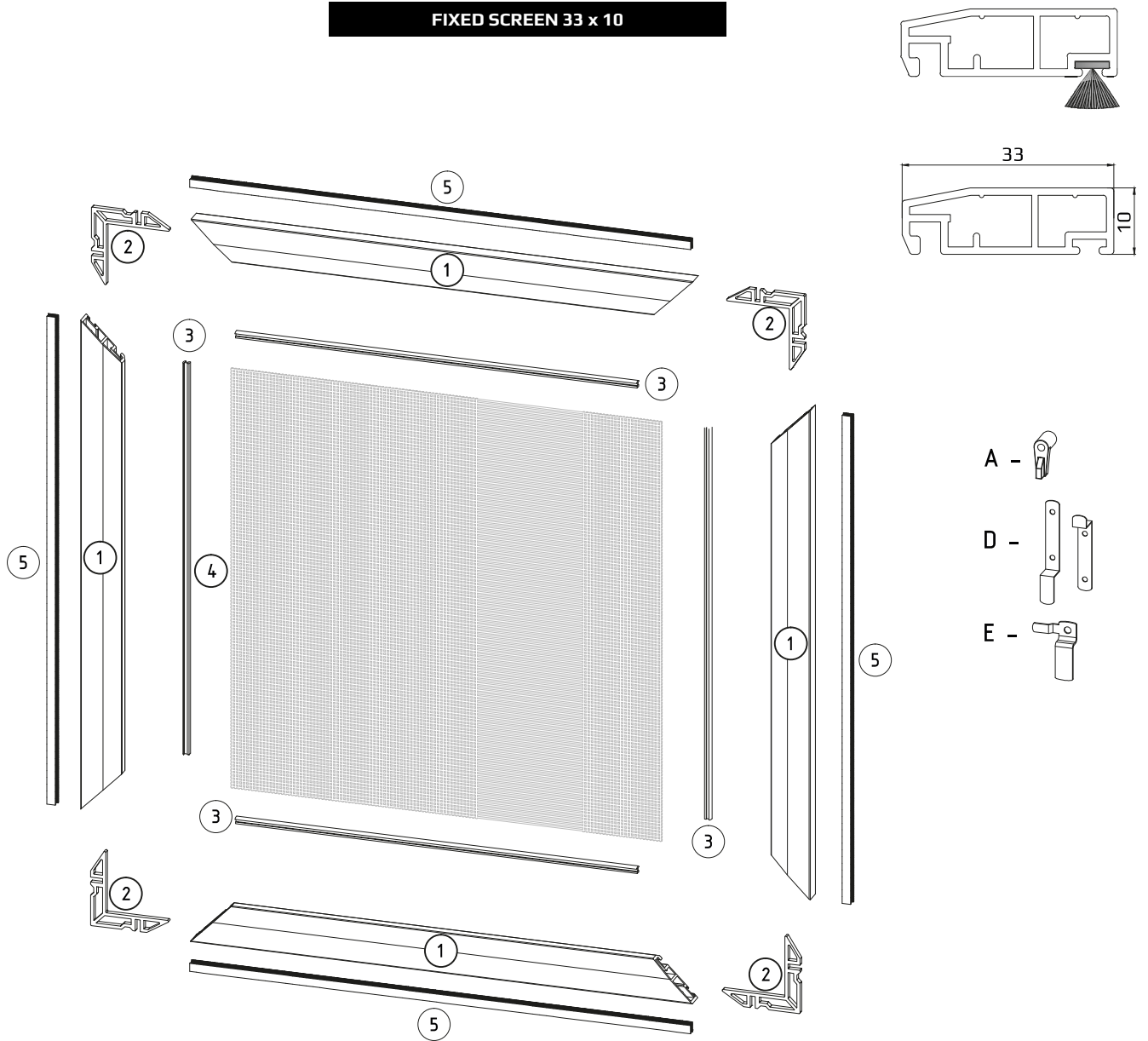
#### Types of brackets

|   |                         |
|---|-------------------------|
| A | Turn button             |
| B | Type B bracket          |
| C | Detent                  |
| D | Hook bracket            |
| E | Flanged profile bracket |



**FIXED INSECT SCREENS**

**FIXED SCREEN 33 x 10**



**Component name**

|          |   |
|----------|---|
| <b>1</b> | Fixed screen main profile with brush seal channel PG MRSZ |
| <b>2</b> | Fixed screen internal corner for stamping MW/Z MRS        |
| <b>3</b> | Fixed screen seal U5/MR                                   |
| <b>4</b> | Insect screen mesh  |
| <b>5</b> | Brush seal 4,8 x 12 mm /4,8 x 5 mm /4,8 x9 mm             |

**Color no | Name**

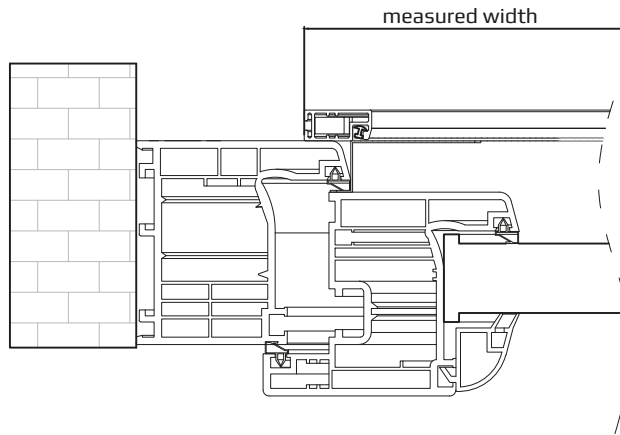
|           |                 |
|-----------|-----------------|
| <b>02</b> | White           |
| <b>08</b> | Dark brown      |
| <b>23</b> | Anthracite gray |
| <b>28</b> | Nut             |
| <b>30</b> | Golden oak      |

**Types of brackets**

|          |                         |
|----------|-------------------------|
| <b>A</b> | Turn button             |
| <b>D</b> | Hook bracket            |
| <b>E</b> | Flanged profile bracket |

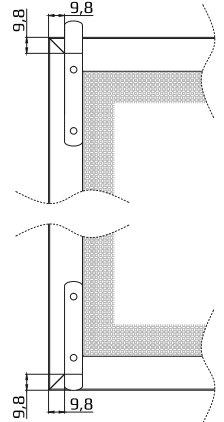
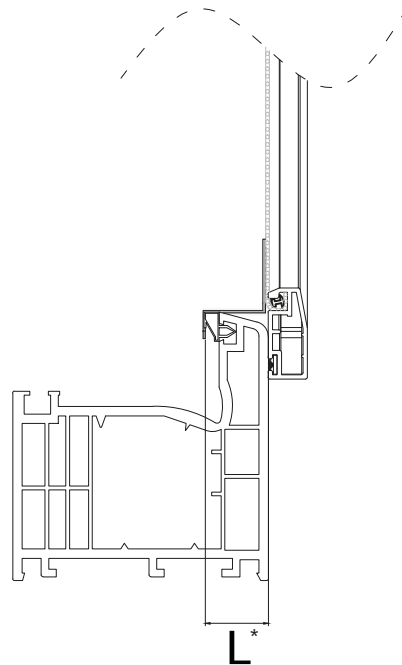
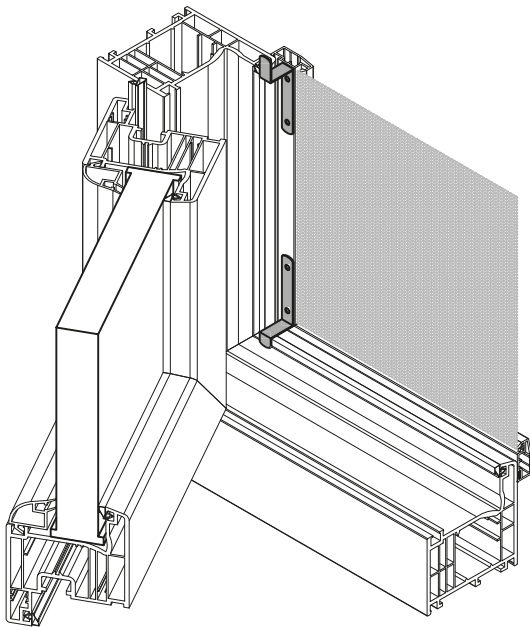
## FIXED INSECT SCREENS MEASURING

When measuring insect screens mounted in D, external profile dimension must be specified. Take into account the maximum coverage of the insect screen frame – 9,8 mm for 24 x10 FR and 24 x 10 SC profile and 18,8 mm for 33x10 profile D type mounting.

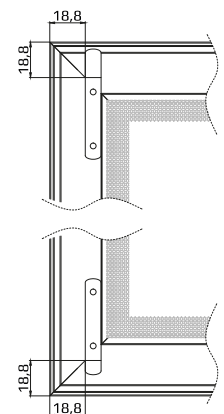


### D TYPE MOUNTING

### 24 x 10

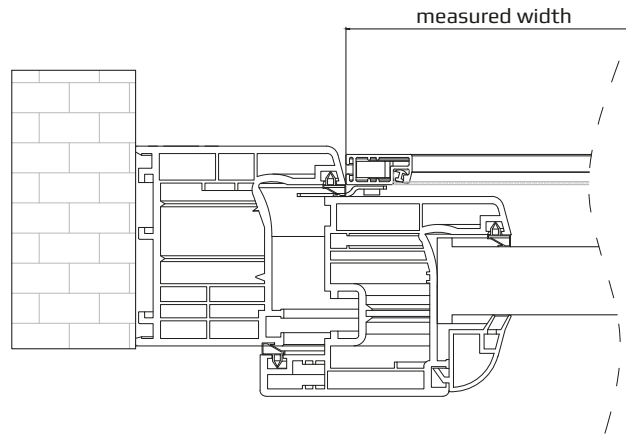


### 33 x 10

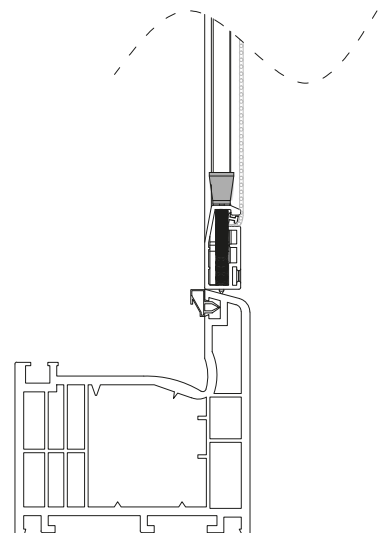
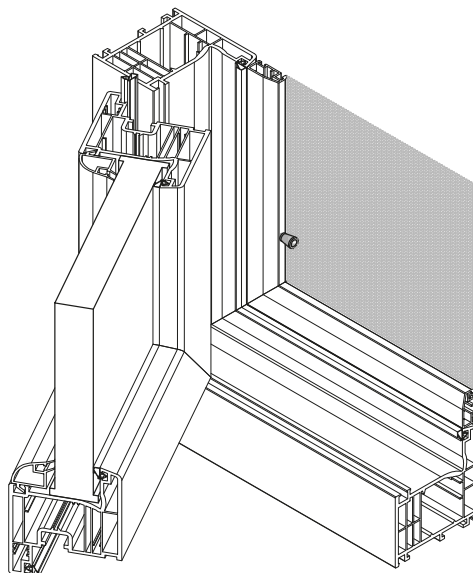
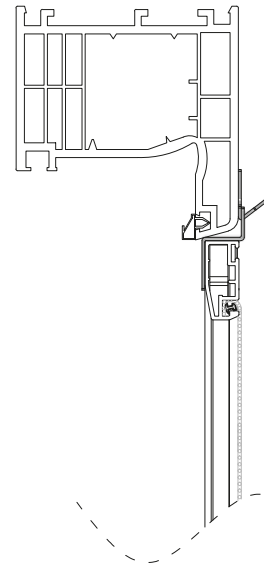
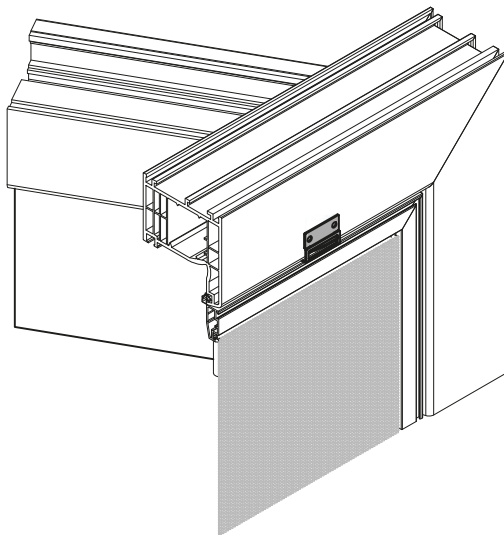


\* L dimension must be also specified in order

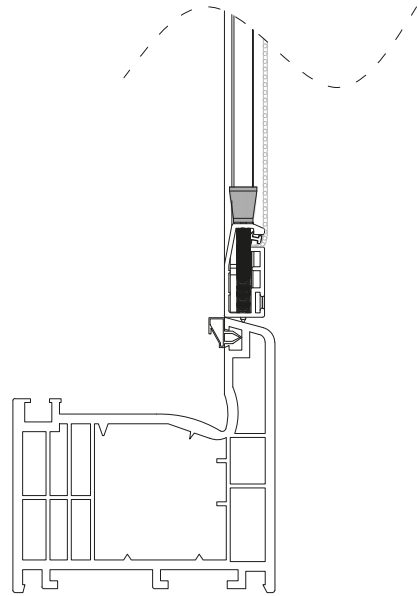
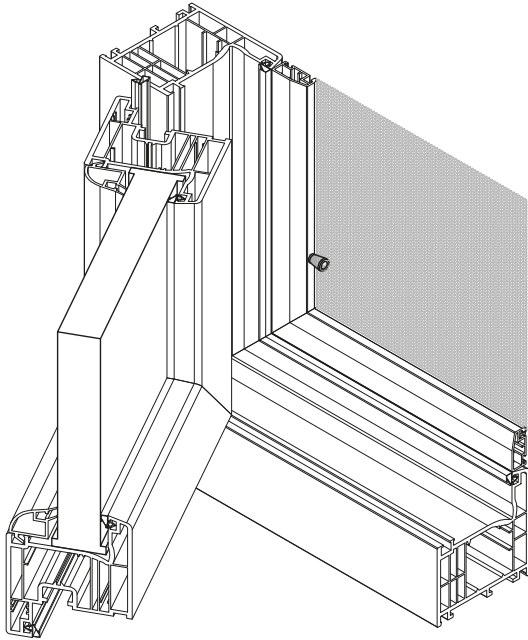
When measuring insect screens mounted in B, C, E type, window's opening dimension must be specified.



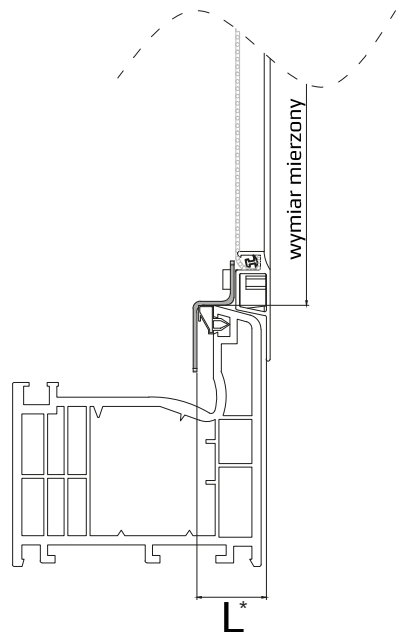
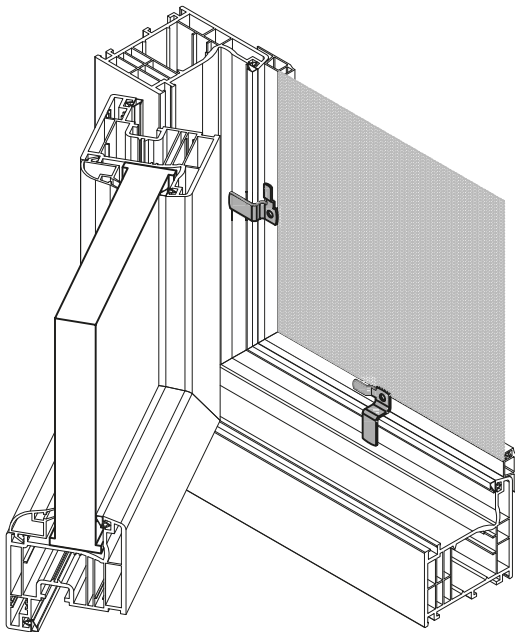
**B TYPE MOUNTING**



**C TYPE MOUNTING**

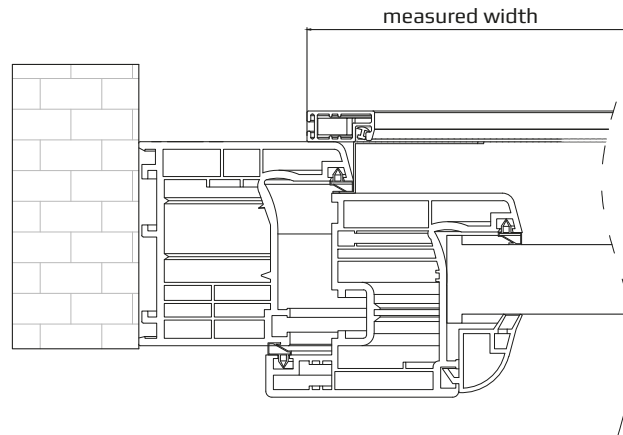


**E TYPE MOUNTING**

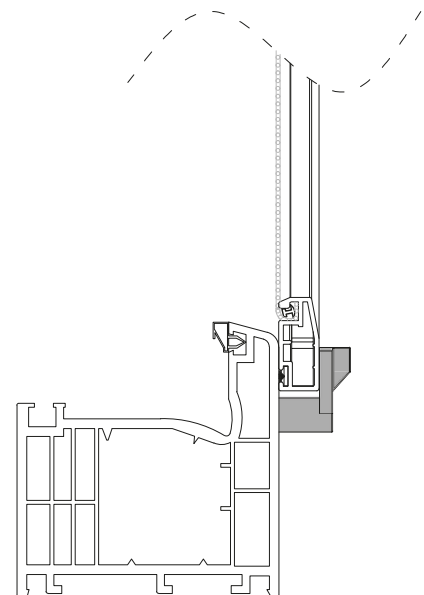
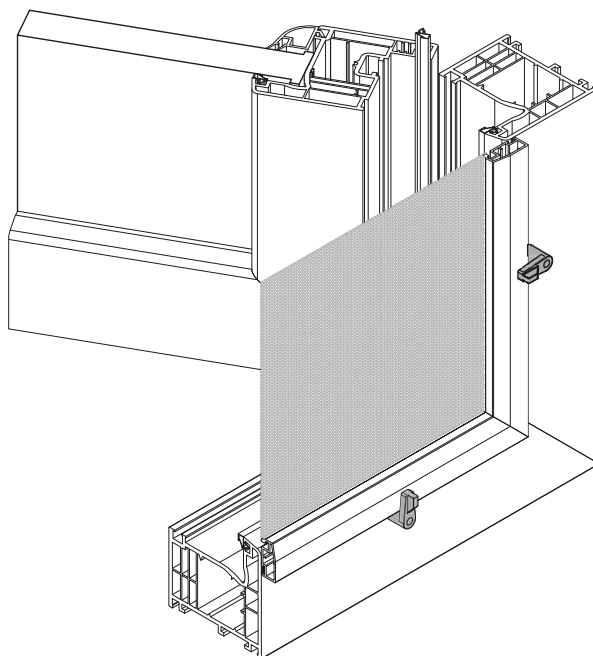


\* L dimension must be also specified in order

When measuring insect screen mounted in A type, external frame dimension must be.

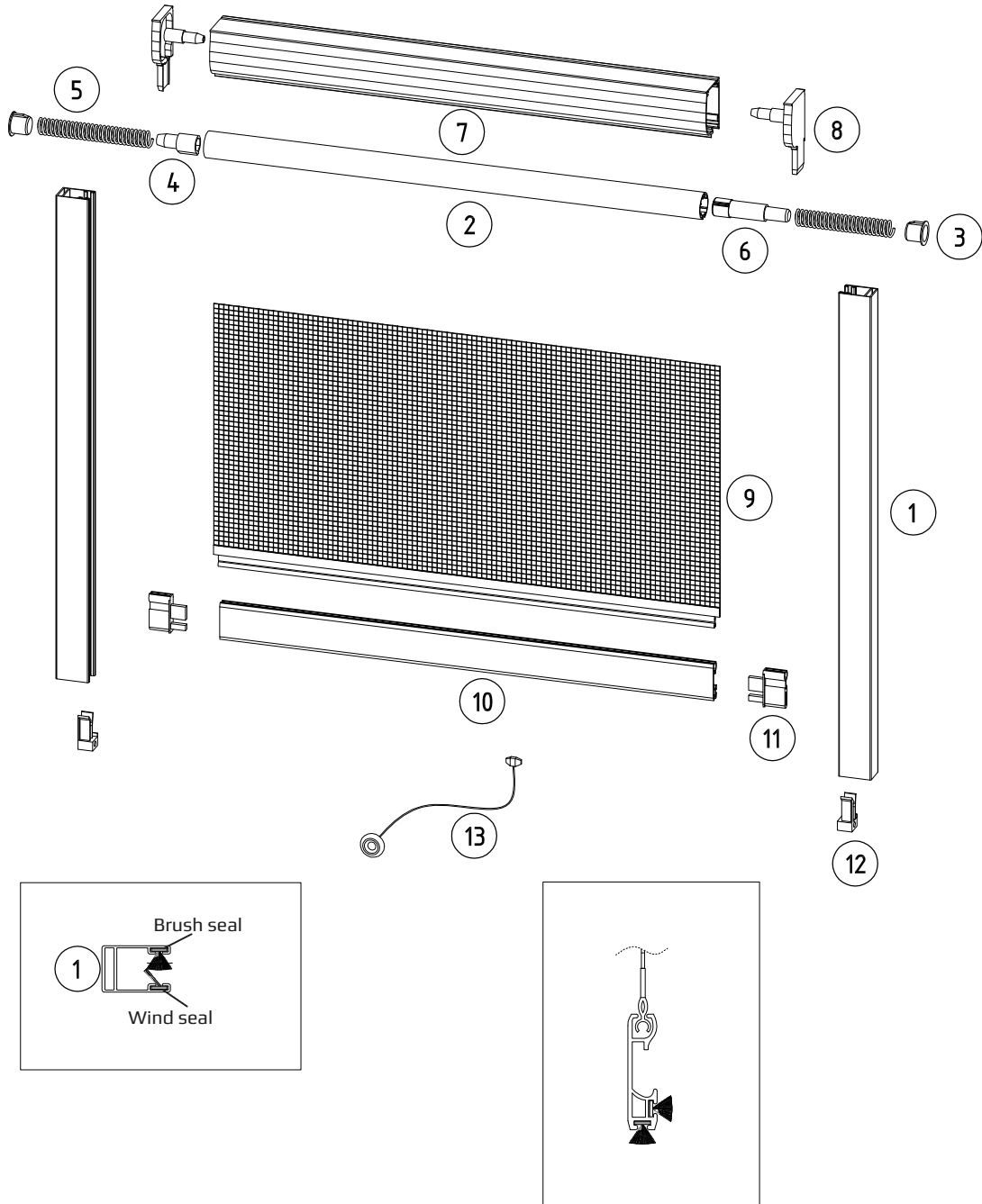


**A TYPE MOUNTING**



## ROLLER INSECT SCREENS

### STANDARD ROLLER INSECT SCREEN



#### Name of component

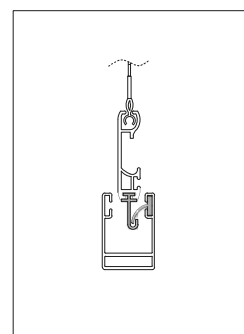
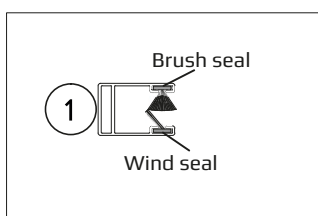
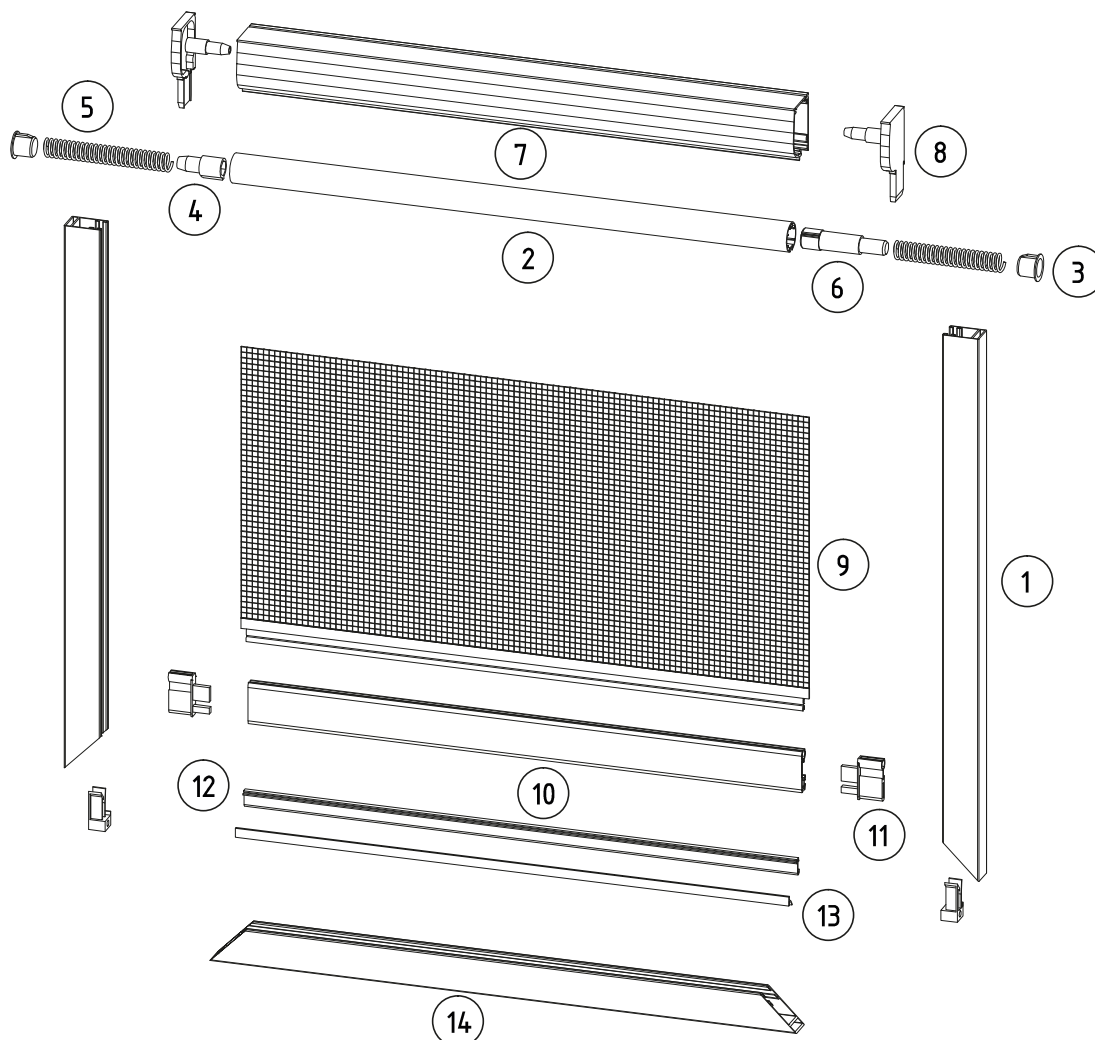
|          |  |           |                        |
|----------|--|-----------|------------------------|
| <b>1</b> | Insect screen guide channel PPZ 32 MZN | <b>8</b>  | Box side cover BSP MZN |
| <b>2</b> | Tube for roller screen mesh            | <b>9</b>  | Mesh                   |
| <b>3</b> | ZMZN/A set                             | <b>10</b> | Bottom rail LDSM MKT   |
| <b>4</b> | ZMZN/A set                             | <b>11</b> | ZMZN/A set             |
| <b>5</b> | Mosquito system break SR52050N         | <b>12</b> | ZMZN/A set             |
| <b>6</b> | ZMZN/A set                             | <b>13</b> | ZMZN/A set             |
| <b>7</b> | Insect screen box SKP MZN              |           |                        |

#### Color no

#### Name

|           |                 |
|-----------|-----------------|
| <b>02</b> | White           |
| <b>08</b> | Dark brown      |
| <b>23</b> | Anthracite gray |
| <b>28</b> | Nut             |
| <b>30</b> | Golden oak      |

**ROLLER INSECT SCREEN WITH HOOK RAIL**



**Name of component**

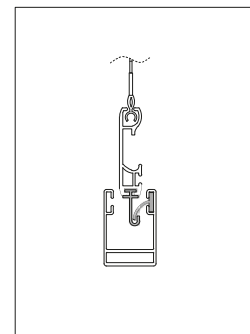
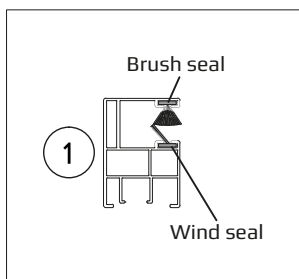
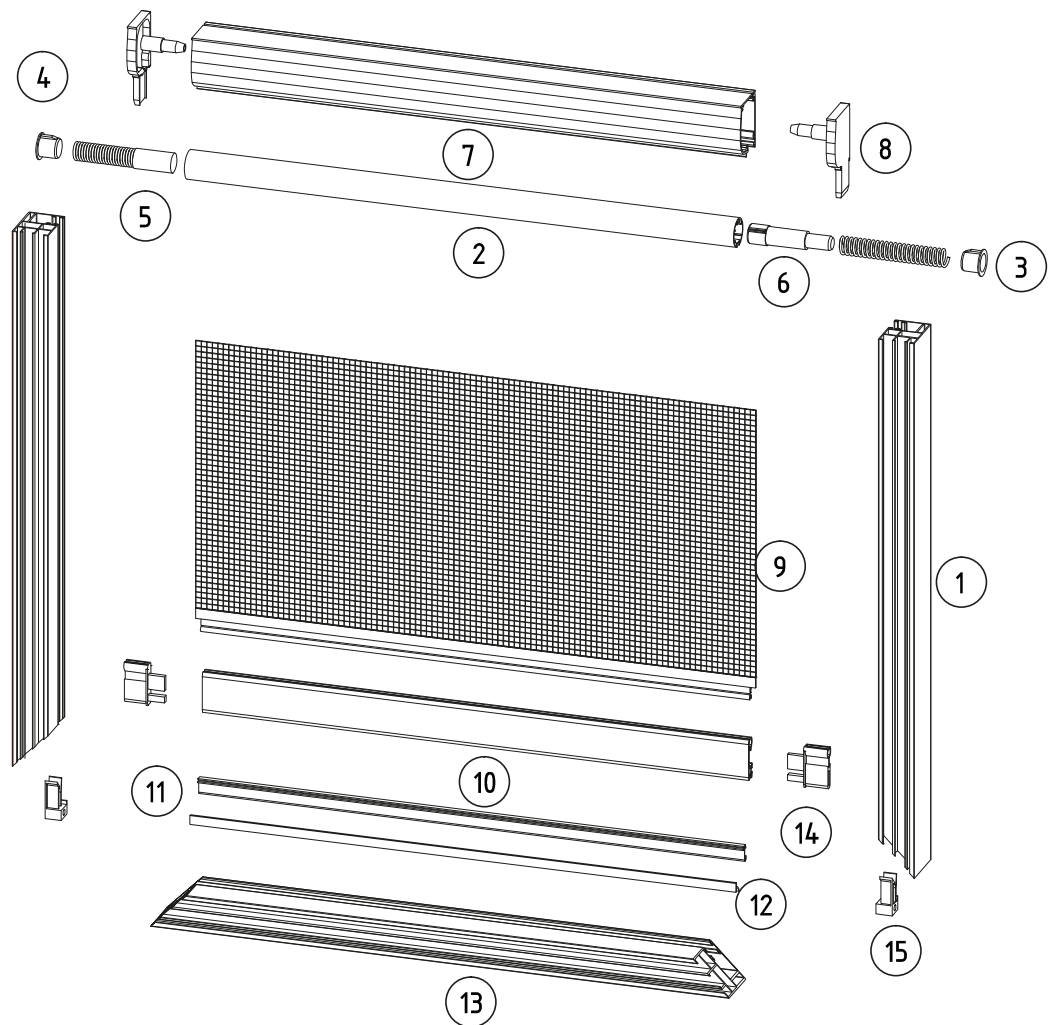
|          |  |           |  |
|----------|--|-----------|--|
| <b>1</b> | Insect screen guide channel PPZ 32 MZN | <b>8</b>  | Box side cover BSP MZN                 |
| <b>2</b> | Tube for roller screen mesh            | <b>9</b>  | Mesh                                   |
| <b>3</b> | ZMZH set                               | <b>10</b> | Bottom rail LDSM MKT                   |
| <b>4</b> | ZMZH set                               | <b>11</b> | ZMZH set                               |
| <b>5</b> | Mosquito system break SR52050N         | <b>12</b> | Hook profile for bottom rail ZHLD MZN  |
| <b>6</b> | ZMZH set                               | <b>13</b> | Hook profile for guide channel ZHP MZN |
| <b>7</b> | Insect screen box SKP MZN              | <b>14</b> | Guide channel PPZ 32 MZN               |

**Color no**

**Name**

|           |                 |
|-----------|-----------------|
| <b>02</b> | White           |
| <b>08</b> | Dark brown      |
| <b>23</b> | Anthracite gray |
| <b>28</b> | Nut             |
| <b>30</b> | Golden oak      |

**ROLLER INSECT SCREEN WITH HOOK RAIL AND SPACER**



**Name of component**

|          |  |           |  |
|----------|--|-----------|--|
| <b>1</b> | Insect screen guide channel PPZ 32 MZN | <b>8</b>  | Box side cover BSP MZN                 |
| <b>2</b> | Tube for roller screen mesh            | <b>9</b>  | Mesh                                   |
| <b>3</b> | ZMZH set                               | <b>10</b> | Bottom rail LDSM MKT                   |
| <b>4</b> | ZMZH set                               | <b>11</b> | ZMZH set                               |
| <b>5</b> | Mosquito system break SR52050N         | <b>12</b> | Hook profile for bottom rail ZHLD MZN  |
| <b>6</b> | ZMZH set                               | <b>13</b> | Hook profile for guide channel ZHP MZN |
| <b>7</b> | Insect screen box SKP MZN              | <b>14</b> | Guide channel PPZ 32 MZN ODS           |

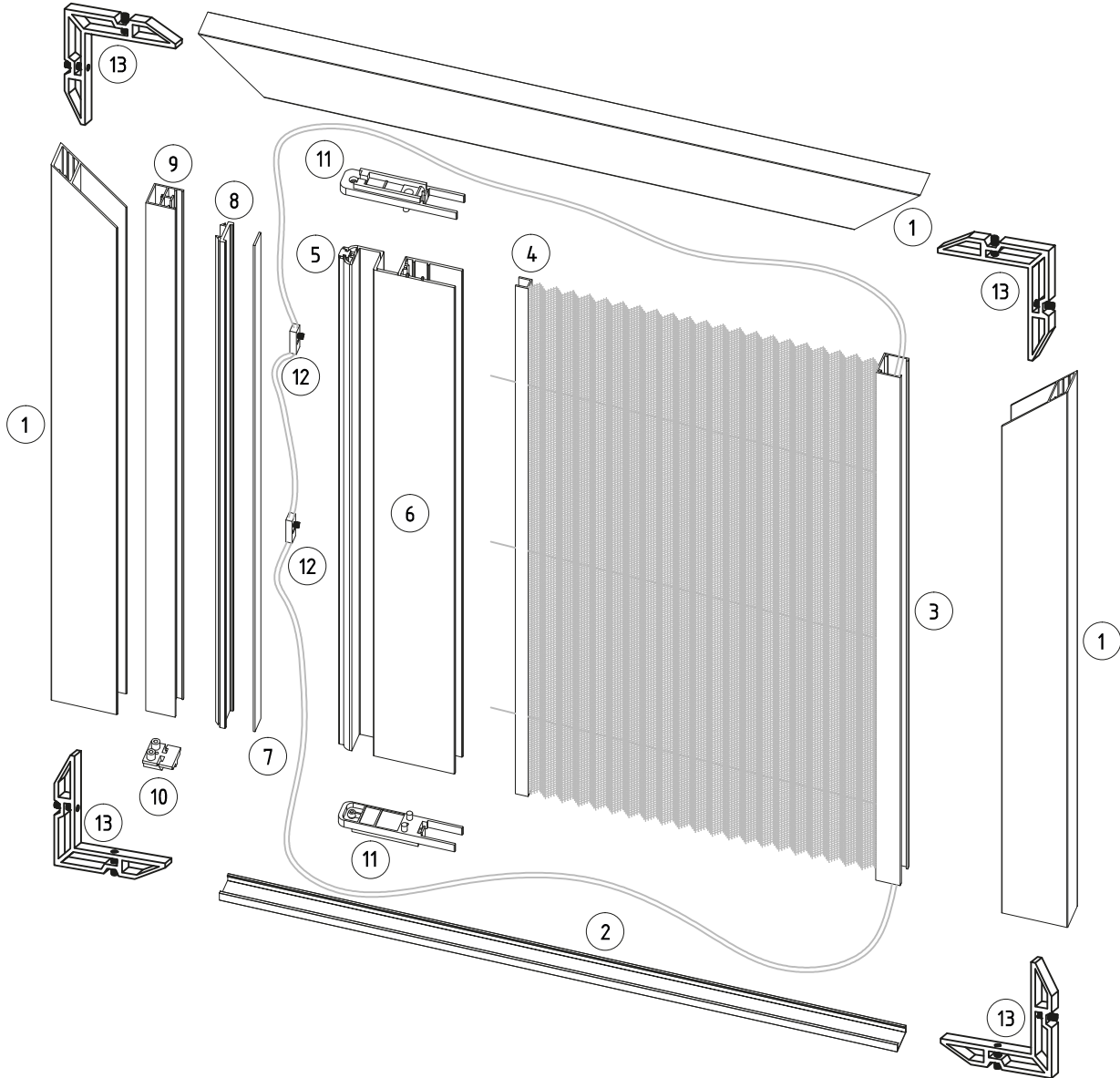
**Color no**

**Name**

|           |                 |
|-----------|-----------------|
| <b>02</b> | White           |
| <b>08</b> | Dark brown      |
| <b>23</b> | Anthracite gray |
| <b>28</b> | Nut             |
| <b>30</b> | Golden oak      |



**PLEATED INSECT SCREEN**



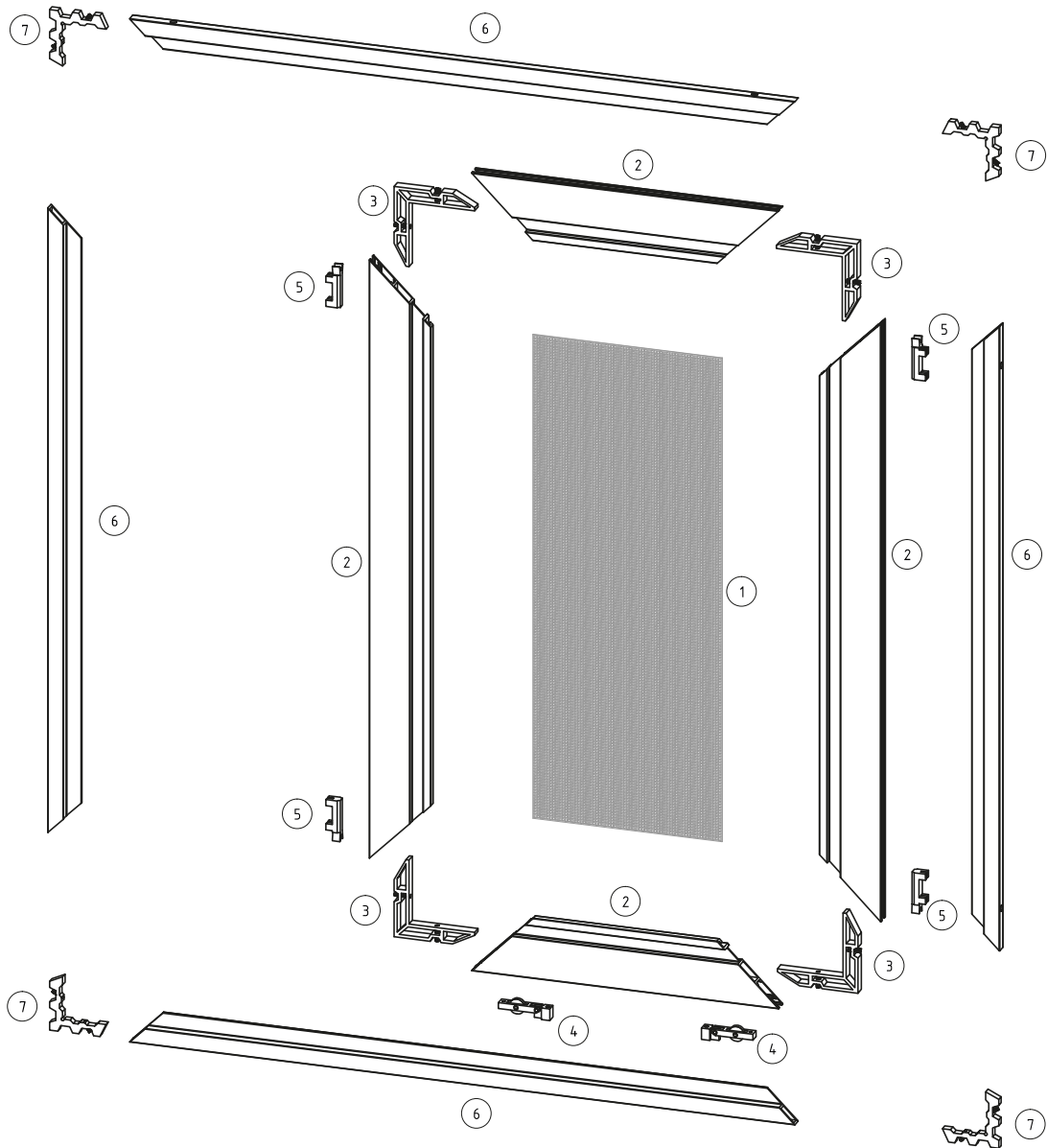
**Nazwa elementu**

|          |   |           |   |
|----------|---|-----------|---|
| <b>1</b> | Insect screen guide channel PP MPH      | <b>8</b>  | Cover profile PM MPH                      |
| <b>2</b> | Insectscreen bottom bar PDMPH or PDPMPH | <b>9</b>  | Tensioner profile PN MPH                  |
| <b>3</b> | MPH set                                 | <b>10</b> | Sliding profile cap ZPPR MPH              |
| <b>4</b> | MPH set                                 | <b>11</b> | Cap for the sliding profile ZPPR MPH      |
| <b>5</b> | Magnetic strip WM MPH                   | <b>12</b> | MPH set                                   |
| <b>6</b> | Sliding profile PPR MPH                 | <b>13</b> | Internal corner NW/S MPH with screw ports |
| <b>7</b> | Adhesive magnetic tape TMS M            |           |   |

| <b>Color no</b> | <b>Name</b>     |
|-----------------|-----------------|
| <b>02</b>       | White           |
| <b>08</b>       | Dark brown      |
| <b>23</b>       | Anthracite gray |
| <b>28</b>       | Nut             |
| <b>30</b>       | Golden oak      |

## SLIDING INSECT SCREENS

### SLIDING INSECT SCREEN SINGLE FRAME



#### Name of component

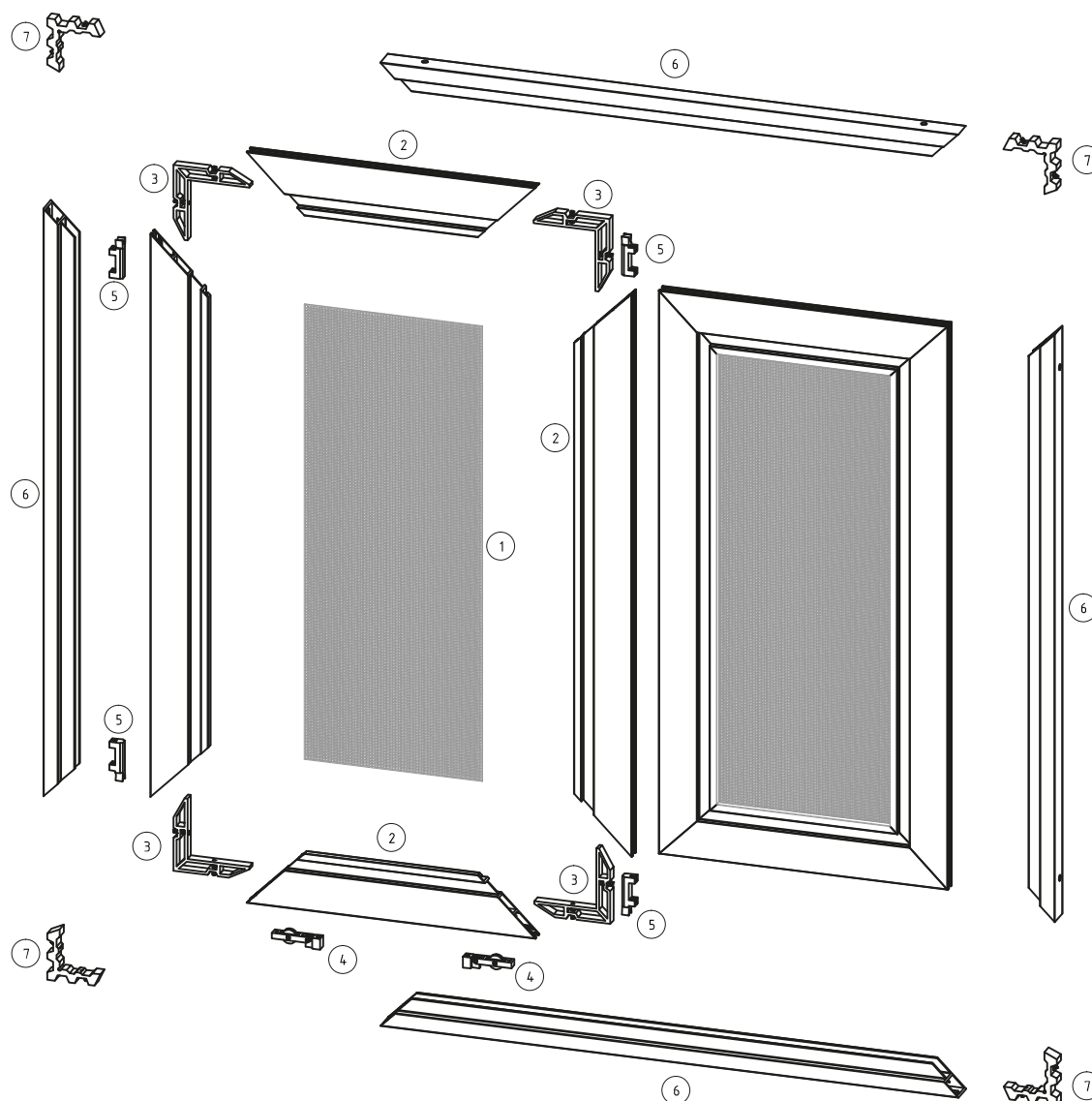
|   | Name of component  |
|---|--|
| 1 | Mesh   |
| 2 | Main profile of sliding insect screen PG MRP   |
| 3 | Internal corner for stomping main profile of the insect screen                         |
| 4 | Running roll with adjustment RJ MRP  |
| 5 | Main profile guiding bracket PPG MRP   |
| 6 | Single channel running rail  |
| 7 | Internal corner for single channel running rail NW-8 MRP or NW-10 MRP with screw ports |

#### Color no

#### Name

|    |                 |
|----|-----------------|
| 02 | White           |
| 08 | Dark brown      |
| 23 | Anthracite gray |
| 28 | Nut             |
| 30 | Golden oak      |

**SLIDING INSECT SCREEN DOUBLE FRAME**



**Name of component**

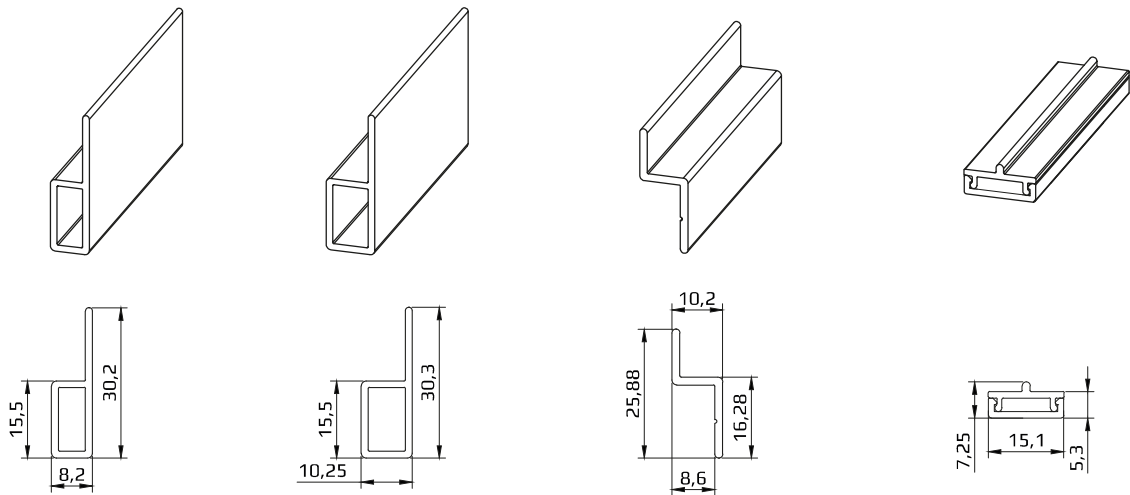
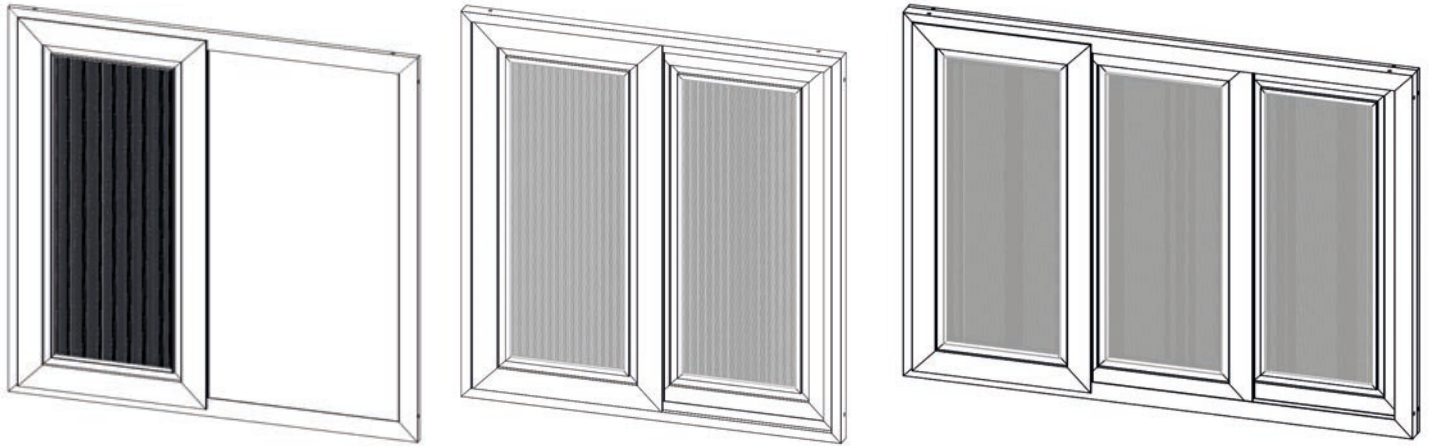
|   | <b>Name of component</b>   |
|---|--|
| 1 | Mesh   |
| 2 | Main profile of sliding insect screen PG MRP                                 |
| 3 | Internal corner for stomping main profile of the insect screen NWPG/Z MRP    |
| 4 | Running roll with adjustment RJ MRP  |
| 5 | Main profile guiding bracket PPG MRP   |
| 6 | Double channel running rail SZJ-ZMRP   |
| 7 | Internal corner for single channel running rail NW-P MRP or with screw ports |

**Color no**

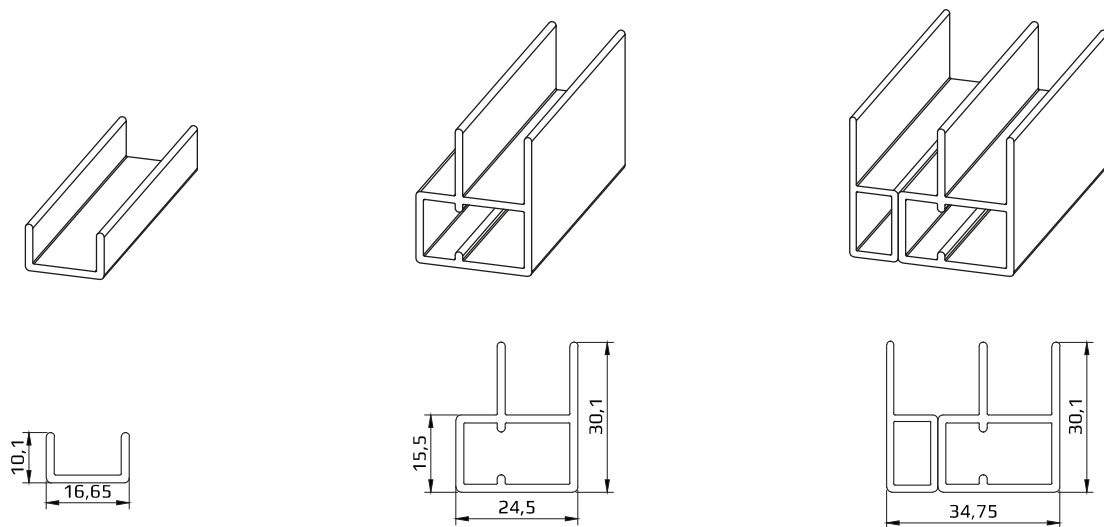
**Name**

|           |                 |
|-----------|-----------------|
| <b>02</b> | White           |
| <b>08</b> | Dark brown      |
| <b>23</b> | Anthracite gray |
| <b>28</b> | Nut             |
| <b>30</b> | Golden oak      |

**SLIDING INSECT SCREENS**



**SINGLE FRAME**

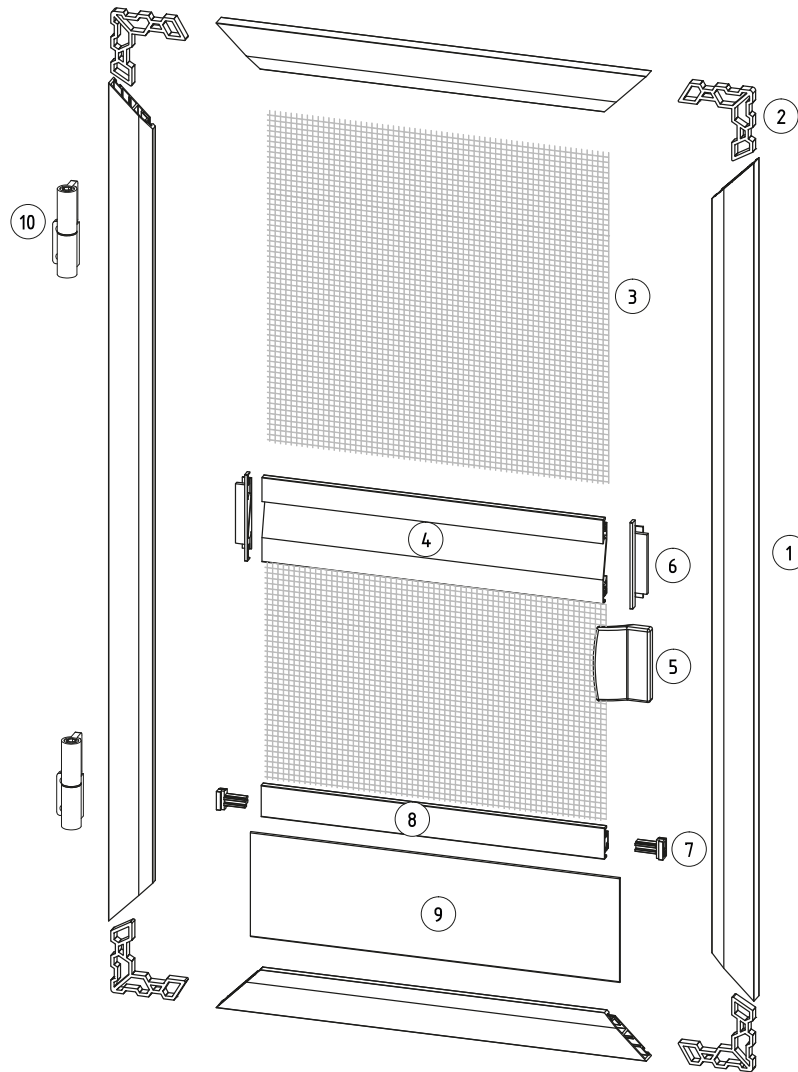


**DOUBLE FRAME**

**TRIPLE FRAME**

**SWING INSECT SCREEN DOOR**

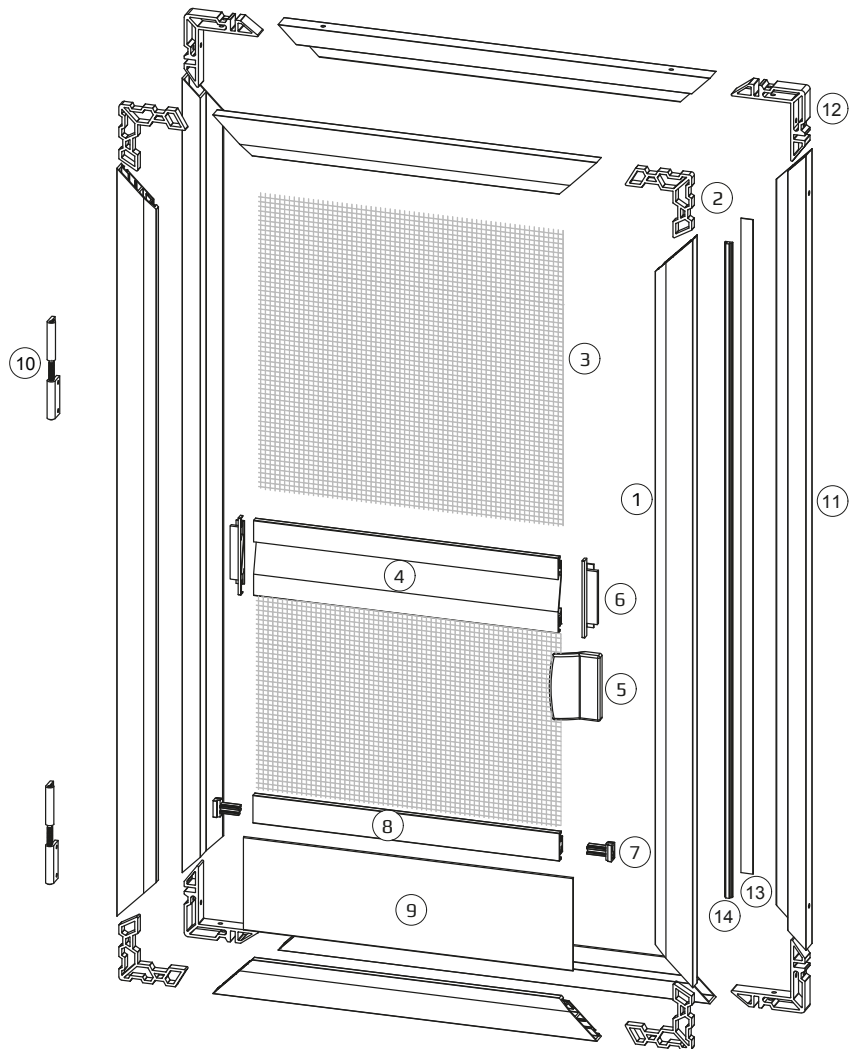
**SWING INSECT SCREEN DOOR**



| Name of component |  |
|-------------------|--|
| 1                 | Main profile of swing insect screen PG MRO |
| 2                 | Internal corner with screw ports NW/S MRO  |
| 3                 | Mesh                                       |
| 4                 | Connection profile with grip PLUMRO        |
| 5                 | Handle U MRO                               |
| 6                 | Bracket for connection profile ZPLU MRO    |
| 7                 | Connection profile cap ZPL MRO             |
| 8                 | Connection profile PL MRO                  |
| 9                 | Filling plate PW MRO/1000/02               |
| 10                | Self-closing hinge left ZS/L MRO           |

| Color no | Name            |
|----------|-----------------|
| 02       | White           |
| 08       | Dark brown      |
| 23       | Anthracite gray |
| 28       | Nut             |
| 30       | Golden oak      |

SWING INSECT SCREEN DOOR WITH CASING



Name of component

|    | Name of component                           |
|----|---|
| 1  | Main profile of swing insect screen PG MRO  |
| 2  | Internal corner with screw ports NW/S MRO   |
| 3  | Mesh  |
| 4  | Connection profile with grip PLUMRO         |
| 5  | Handle U MRO                                |
| 6  | Bracket for connection profile ZPLU MRO     |
| 7  | Connection profile cap ZPL MRO              |
| 8  | Connection profile PL MRO                   |
| 9  | Filling plate PW MRO/1000/02                |
| 10 | Aluminum hinge with spring AZ5/L RMRO       |
| 11 | Main profile of swing insect screen PG RMRO |
| 12 | Internal corner with screw ports NW/S RMRO  |
| 13 | Magnetic tape TM MRO                        |
| 14 | STEEL TAPE TSMRO                            |

Color no

Name

| Color no | Name            |
|----------|-----------------|
| 02       | White           |
| 08       | Dark brown      |
| 23       | Anthracite gray |
| 28       | Nut             |
| 30       | Golden oak      |





**SIERANT sp. z o.o. Spółka komandytowa**

**ul. Kwiatowa 22  
97-300 Piotrków Trybunalski  
POLAND**

**[www.sierant.pl](http://www.sierant.pl)  
[biuro@sierant.pl](mailto:biuro@sierant.pl)**

**tel.: + 48 44 649 97 04  
+ 48 44 649 04 53**