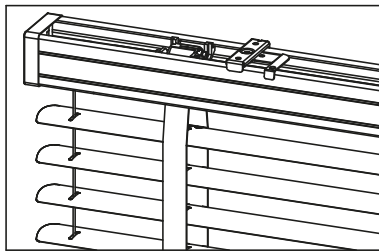
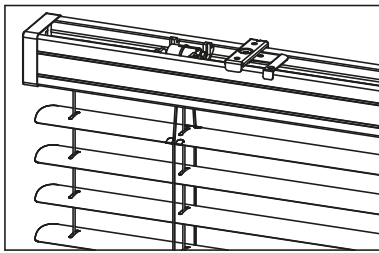
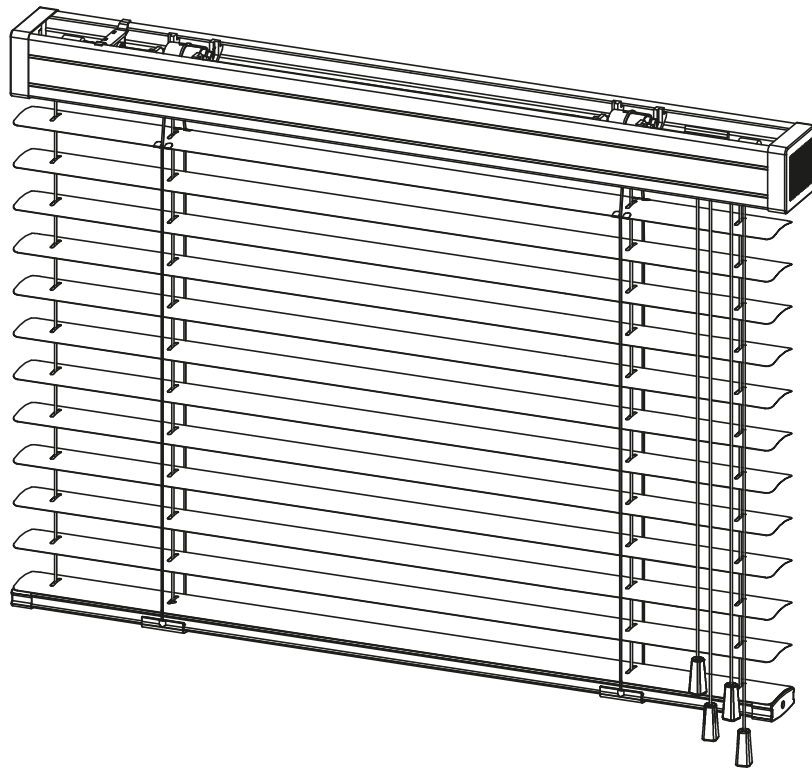


## FRONTON

Surface-mounted venetian blind with 50 mm slat, controlled with cord operated gear for lifting, lowering and tilting the slats. FRONTON can be produced with cord or tape ladder and wooden or bamboo head rail cover.



Only 50 mm slat



### Component name

1	Aluminum 50 mm slat
2	Clip
3	Head rail end cap
4	Gear
5	5. Cord blocking mechanism
6	Cord/tape ladder
7	57 X 51 mm head rail
8	Control rod
9	Tilter
10	Tilter roll
11	Control rod blocker
12	50mm bottom rail
13	Bottom rail end cap
14	Peg*
15	Cord with transparent weights
16	Steel line*
17	Bottom rail ladder blocker
18	Ladder cap
19	Cord mounting- cleat (child safety)

### Holder name

20	G-TU50
21	D-KPCV holder (transparent)*

\* If the blind has side guidance  
\*\* Optional

