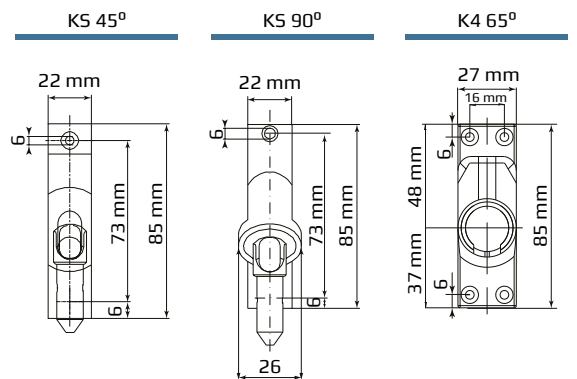
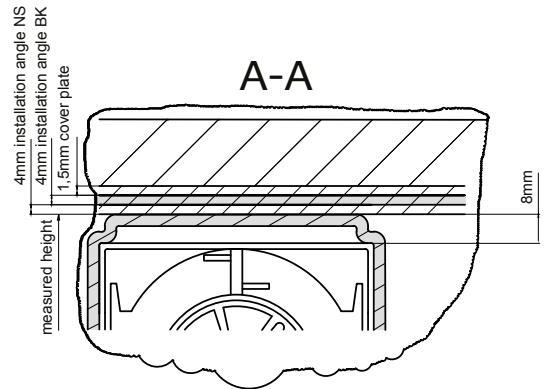
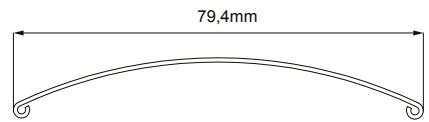
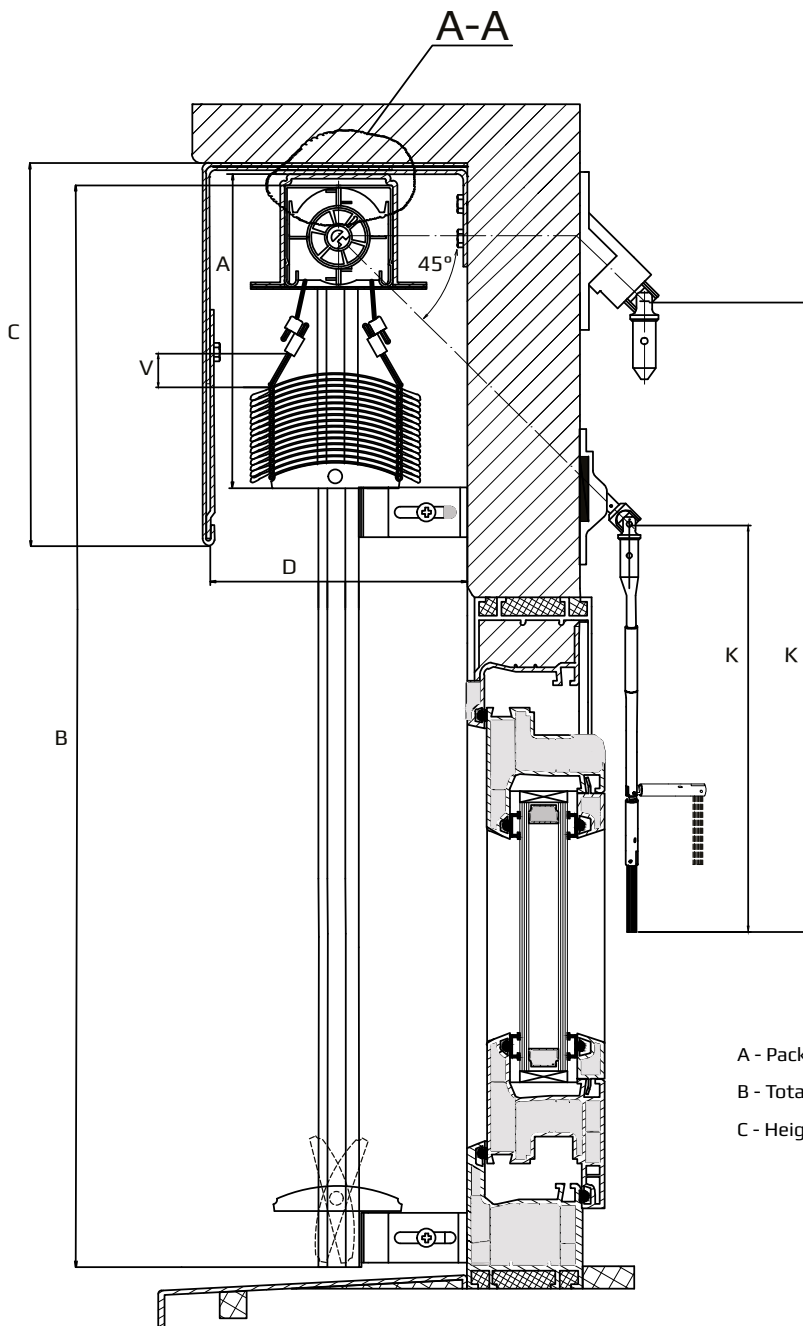


## External Venetian Blind C-80

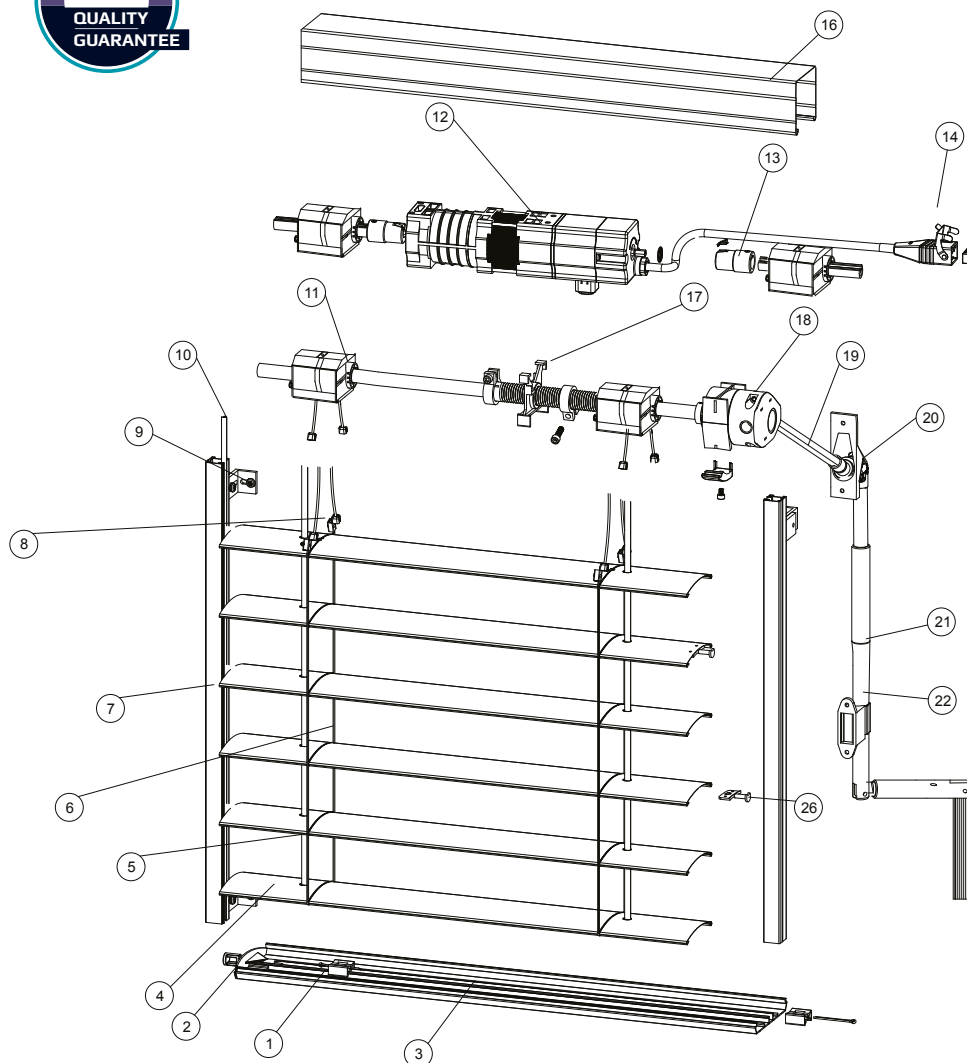


- A - Package height
- B - Total height of the blind
- C - Height of the cover plate
- D - Optimal depth: 130 mm,  
Minimal depth: 120 mm
- V - Distance from first slat, depending on  
the blind's height, 15-22 cm
- K - Length of the crank mechanism

The amount of tilters, depending on the dimensions of the external blind

width (mm) height (mm)	1200	1300	1400	2000	2200	2400	2800	3100	3400	4000
2500	2	2	2	3	3	3	4	4	4	5
3000	2	2	3	3	3	4	4	4	5	5
4000	2	3	3	3	4	4	4	5	5	5

**External Venetian Blind C-80**



- 1 - Bottom rail textile band lock
- 2 - Bottom rail plug
- 3 - Bottom rail C-80 | 4 - Slat C-80
- 5 - Textile band 8 mm
- 6 - Ladder cord C-80 | 7 - Guide channel TYP 2
- 8 - Ladder-tilter connector
- 9 - Guide channel bracket A-N
- 10 - Guide channel insert
- 11 - Tilter C-80 | 12 - Motor 230 V
- 13 - Motor-tilt rod connector
- 14 - Hirshmann plug Stak3
- 15 - Hirshmann coupling Stak3
- 16 - Head rail 58x56
- 17 - Mechanical end-stop
- 18 - Bevel gear
- 19 - Cardan coupling tilt rod
- 20 - Cardan coupling
- 21 - Crank | 22 - Crank holder
- 23 - Installation angle BK
- 24 - Installation angle NS | 25 - Extension PD
- 26 - Guiding pin C-80

min. width (manual)	min. width (motor)	max. width	max. height	max. surface (manual)	max. surface (motor)	max. surface of connected blinds (manual)	max. surface of connected blinds (motor)	Max. quantity of connected blinds (one motor)	Average weight of 1m <sup>2</sup> : up to 7m <sup>2</sup> surface	Average weight of 1m <sup>2</sup> : above 7m <sup>2</sup> surface
420 mm	500 mm	4000 mm	4000 mm	9 m <sup>2</sup>	16 m <sup>2</sup>	9 m <sup>2</sup>	24 m <sup>2</sup>	3 pcs	3 kg	2,7 kg

**Quantity of guide channel brackets**

Blind height	qty
500 - 1799	2
1800 - 3099	3
3100 - 4000	4

**Quantity of headrail brackets**

Blind width	qty
420 - 1699	2
1700 - 2699	3
2700 - 3399	4
3400 - 4000	5

**Height of the packages C-80**

Total height of the blind	C-80 ARET 2		C-80 L (steel cord)		C-80 ARET 5	
	motor	manual	manual	motor	manual	motor
500 - 750	180	170	170	160	170	160
760 - 1000	200	190	190	180	190	180
1010 - 1250	220	210	210	200	210	200
1260 - 1500	230	220	220	210	220	210
1510 - 1750	250	240	240	230	240	230
1760 - 2000	270	260	260	250	260	250
2010 - 2250	290	280	280	270	280	270
2260 - 2500	300	290	290	280	290	280
2510 - 2750	320	310	310	300	310	300
2760 - 3000	330	320	320	310	320	310
3010 - 3250	360	350	350	340	350	340
3260 - 3500	370	360	360	350	360	350
3510 - 3750	390	380	380	370	380	370
3760 - 4000	410	400	390	380	390	380