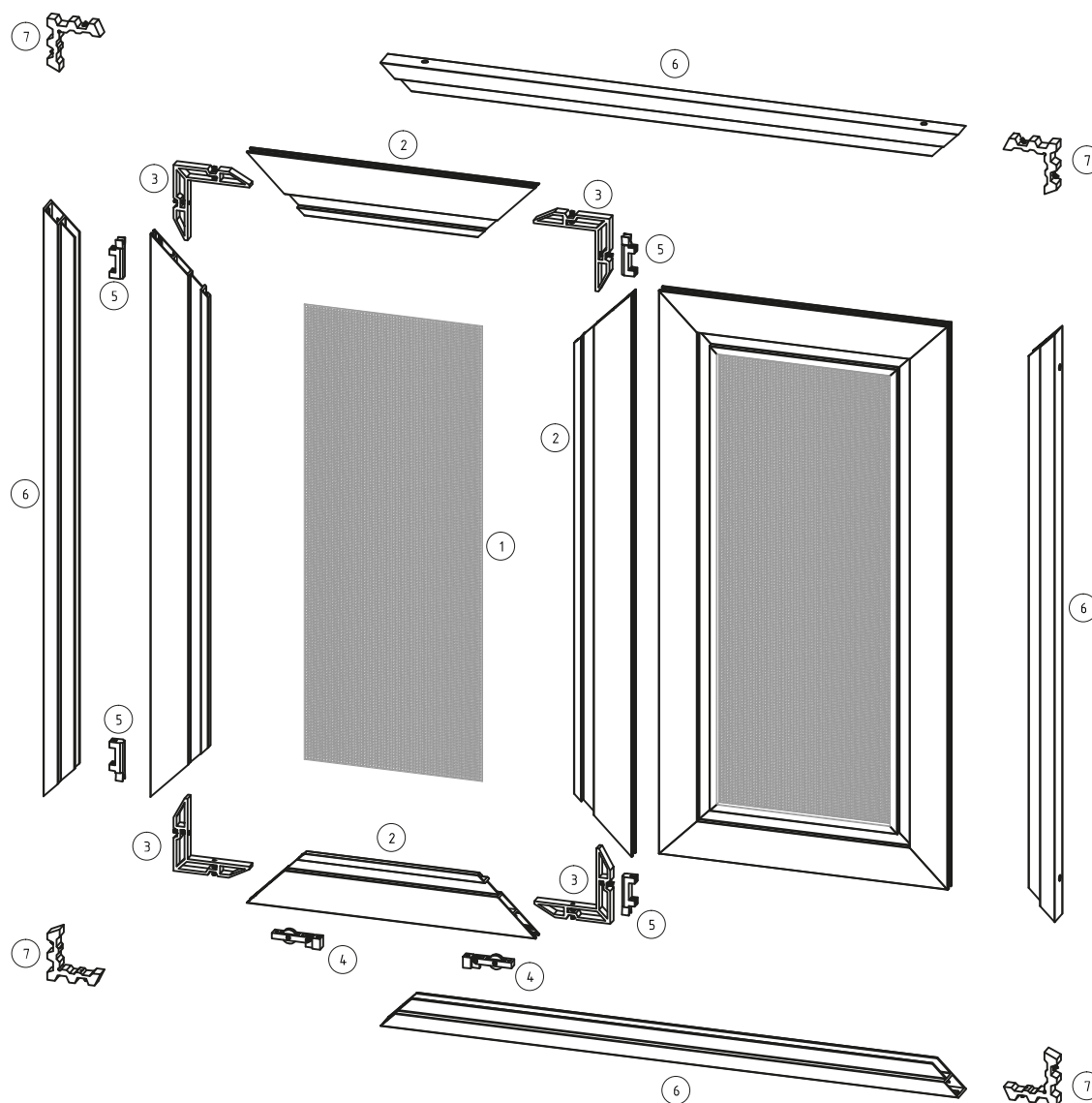


SLIDING INSECT SCREEN DOUBLE FRAME



Name of component

	Name of component
1	Mesh
2	Main profile of sliding insect screen PG MRP
3	Internal corner for stamping main profile of the insect screen NWPG/Z MRP
4	Running roll with adjustment RJ MRP
5	Main profile guiding bracket PPG MRP
6	Double channel running rail SZJ-ZMRP
7	Internal corner for single channel running rail NW-P MRP or with screw ports

Color no

Name

Color no	Name
02	White
08	Dark brown
23	Anthracite gray
28	Nut
30	Golden oak